

BLACKMER PUMP PARTS LIST

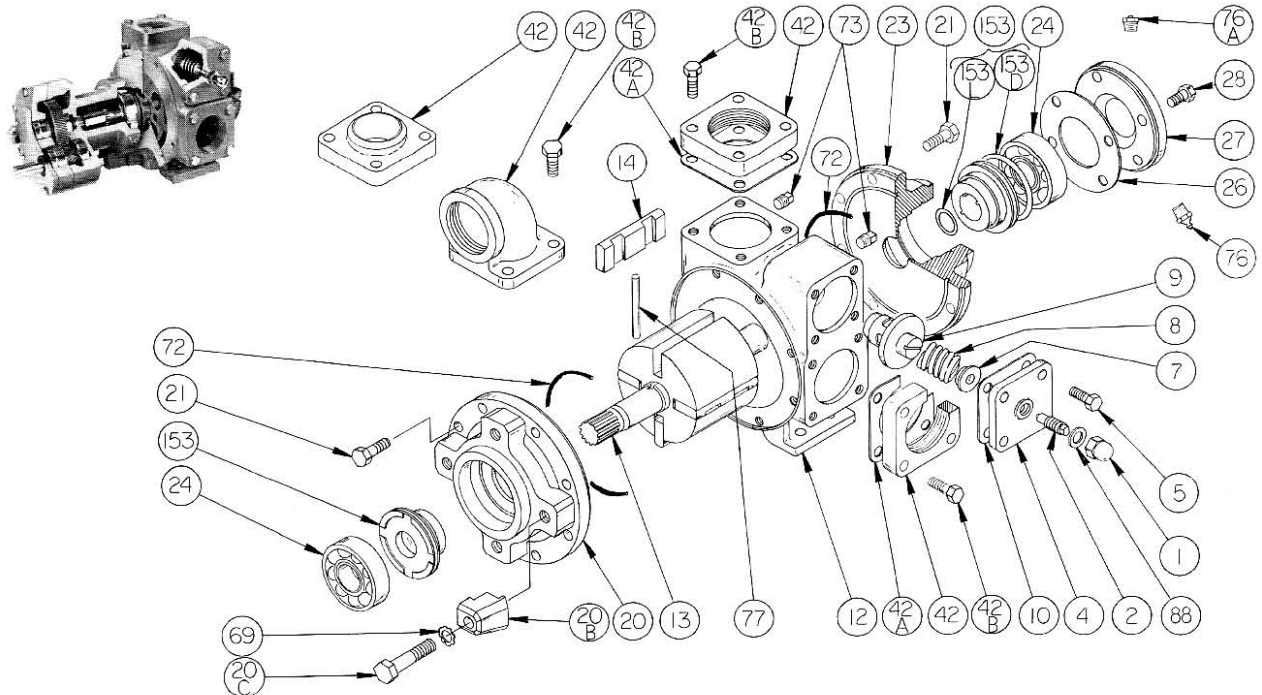
960212
PARTS LIST NO. 185/C1

MODELS: GX2A, GXS2A

(See Instructions 185/C for Operation and Maintenance)

Obsolete Models - Parts Availability May Be Limited

Section 100
Effective January 1991
Replaces November 1988



NOTE: GX2 AND GXS2 ARE DISCONTINUED MODELS.

REF. NO.	PART NAME	PARTS PER PUMP	GX(S)2A PART NO.	GX(S)2 PART NO.	REF. NO.	PART NAME	PARTS PER PUMP	GX(S)2A PART NO.	GX(S)2 PART NO.	
1	Cap - Relief Valve R/V	1	411452	411452	20B	Clamp	4	834001	834001	
2	Adjusting Screw - R/V	1	431401	431401	20C	Capscrews - Clamp	4	920547	920547	
4	Cover - R/V	1	411401	411401	21	Capscrews - Head	16	920331	920331	
5	Capscrew - R/V Cover	4	920316	920316	23	Head - Outboard	1	031425	031425	
7	Spring Guide - R/V	1	423955	423955	24	Ball Bearing	2	*903156	*903158	
8	Spring - R/V (25-35 psi)	1	471412	471412	42	26	Gasket - Bearing Cover	1	*383940#	*383940#
	Spring - R/V (36-50 psi)		471415	471415		27	Bearing Cover	1	041433	041433
	Spring - R/V (51-75 psi) (Std.)		*471420	*471420		28	Capscrews - Bearing Cover	4	920285	920285
	Spring - R/V (76-110 psi)		471425	471425		42A	Flange - 1 1/2" NPT	1 - 2	651412	651412
	Spring - R/V (111-125 psi)		471428	471428	Flange - 2" NPT		651411		651411	
	SS Spring - R/V (36-50 psi) ¹		471417	471417	Flange - 2" Weld		654405		654405	
	SS Spring - R/V (51-75 psi) ¹		471418	471418	Flanged Elbow - 2" NPT		651415		651415	
	SS Spring - R/V (76-110 psi) ¹		471427	471427	42B	Gasket - Flange	2	*381405#	*381405#	
SS Spring - R/V (111-125 psi) ¹	471429	471429	Capscrew - NPT/Weld Flange	4 - 8		920351	920351			
9	Valve - R/V (Std.)	1	*451417	*451417	69	Capscrew - Flanged Elbow	2	920331	920331	
	Valve - R/V (Nickel Plated)		451415	451415		Lockwasher - Clamp	4	909630	909630	
10	Gasket - R/V Cover	1	*531403#	*531403#	72	O-Ring - Head (Buna-N) (Std.)	2	*701947#	*701947#	
12	Cylinder	1	021403	021403		O-Ring - Head (Viton)		701914	701914	
13	Rotor & Shaft	1	261409	221453		O-Ring - Head (Teflon)		702091	702091	
14	Vane - Duravane (Std.)	4	*091419	*091419	73	Gage Plug	2	908195	908195	
	Vane - Bronze		093922	093922	76	Grease Fitting	1	317815	317815	
	Vane - EC Bronze		093924	093924	76A	Grease Relief Fitting	1	701992	701992	
	Vane - Cast Iron		093921	093921	77	Push Rod	2	*123905	*123905	
	Vane - EC Cast Iron		093923	093923	88	Gasket - R/V Cap	1	*701981#	*701981#	
	Vane - Laminate		091427	091427		Gasket Repair Kit		891455	891455	
	Vane - EC Laminate	091429	091429		Pump Repair Kit (GXS)		891502	871171		
20	Head - Inboard	1	031427	031427						

¹Available for GXS Models Only.

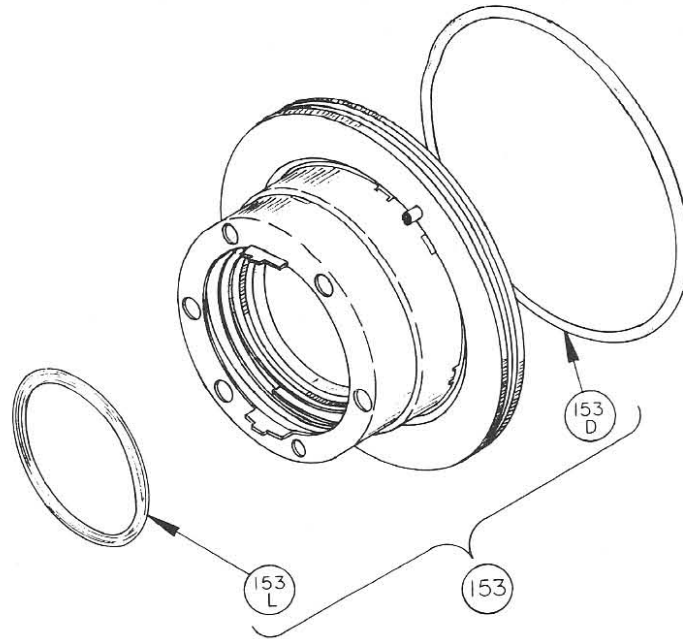
*Parts Included in Pump Repair Kit.

#Parts Included in Gasket Repair Kit.

Note: Viton and Teflon are Registered Trademarks of E.I. DuPont.

Note: A GX(S)2 Model can be upgraded to a GX(S)2A Model by replacing the Rotor & Shaft (Ref. No. 13), the Bearing (Ref. No. 24), and the Mechanical Seal (Ref. No. 153) - must be replaced as a group.

MECHANICAL SEAL



GX2A, GX2 - MECHANICAL SEAL - STANDARD

REF. NO.	PART NAME	PARTS PER PUMP	GX2A PART NO.	GX2 PART NO.
153	Mechanical Seal Complete, Cast Iron Stationary Seat, Carbon Seal Face, Buna-N O-Rings.	2	331601	331415
153D	O-Ring - Stationary(Buna-N)	2	701934	701934
153L	O-Ring - Rotating (Buna-N)	2	701922	701920

GXS2A, GXS2 - MECHANICAL SEAL - OPTIONAL

REF. NO.	PART NAME	PARTS PER PUMP	GXS2A PART NO.	GXS2 PART NO.
153	Mechanical Seal Complete, Cast Iron Stationary Seat, Bronze Seal Face, Viton O-Rings.	2	331623	331457
153D	O-Ring - Stationary (Viton)	2	701921	701921
153L	O-Ring - Rotating (Viton)	2	701980	701979

GX2A, GX2 - MECHANICAL SEAL - OPTIONAL

REF. NO.	PART NAME	PARTS PER PUMP	GX2A PART NO.	GX2 PART NO.
153	Mechanical Seal Complete, Cast Iron Stationary Seat, Bronze Seal Face, Buna-N O-Rings.	2	331604	331411
153D	O-Ring - Stationary(Buna-N)	2	701934	701934
153L	O-Ring - Rotating (Buna-N)	2	701922	701920

GXS2A, GXS2 - MECHANICAL SEAL - OPTIONAL

REF. NO.	PART NAME	PARTS PER PUMP	GXS2A PART NO.	GXS2 PART NO.
153	Mechanical Seal Complete, SS Stationary Seat, Carbon Seal Face, Viton O-Rings.	2	331654	331454
153D	O-Ring - Stationary (Viton)	2	701921	701921
153L	O-Ring - Rotating (Viton)	2	701980	701979

GXS2A, GXS2 - MECHANICAL SEAL - STANDARD

REF. NO.	PART NAME	PARTS PER PUMP	GXS2A PART NO.	GXS2 PART NO.
153	Mechanical Seal Complete, Cast Iron Stationary Seat, Buna-N O-Ring, Carbon Seal Face with Teflon Seal Ring.	2	*331602	*331430
153D	O-Ring - Stationary(Buna-N)	2	701934	701934
153L	Seal Ring - Rotating (Teflon)	2	**	**

GXS2A, GXS2 - MECHANICAL SEAL - OPTIONAL

REF. NO.	PART NAME	PARTS PER PUMP	GXS2A PART NO.	GXS2 PART NO.
153	Mechanical Seal Complete, SS Stationary Seat, Buna-N O-Ring, Carbon Seal Face with Teflon Seal Ring.	2	331650	331450
153D	O-Ring - Stationary(Buna-N)	2	701934	701934
153L	Seal Ring - Rotating (Teflon)	2	**	**

GXS2A, GXS2 - MECHANICAL SEAL - OPTIONAL

REF. NO.	PART NAME	PARTS PER PUMP	GXS2A PART NO.	GXS2 PART NO.
153	Mechanical Seal Complete, Cast Iron Stationary Seat, Carbon Seal Face with Viton O-Rings.	2	331655	331455
153D	O-Ring - Stationary (Viton)	2	701921	701921
153L	O-Ring - Rotating (Viton)	2	701980	701979

GXS2A, GXS2 - MECHANICAL SEAL - OPTIONAL

REF. NO.	PART NAME	PARTS PER PUMP	GXS2A PART NO.	GXS2 PART NO.
153	Mechanical Seal Complete, Cast Iron Stationary Seat, Teflon O-Ring, Carbon Seal Face with Teflon Seal Ring.	2	331673	331473
153D	O-Ring - Stationary (Teflon)	2	702056	702056
153L	Seal Ring - Rotating (Teflon)	2	**	**

* Parts Included in Pump Repair Kit.

** Teflon Seal Ring is not available as a separate part.

blackmer

A **DOVER** RESOURCES COMPANY

1809 Century Avenue, Grand Rapids, Michigan 49509 U.S.A.
Telephone: (616) 241-1611 • Fax: (616) 241-3752