

BLACKMER PUMP PARTS LIST

MODELS: X3 $\frac{1}{2}$ A-N, XS3 $\frac{1}{2}$ A-N

(See Instructions 185/D for Operation and Maintenance)

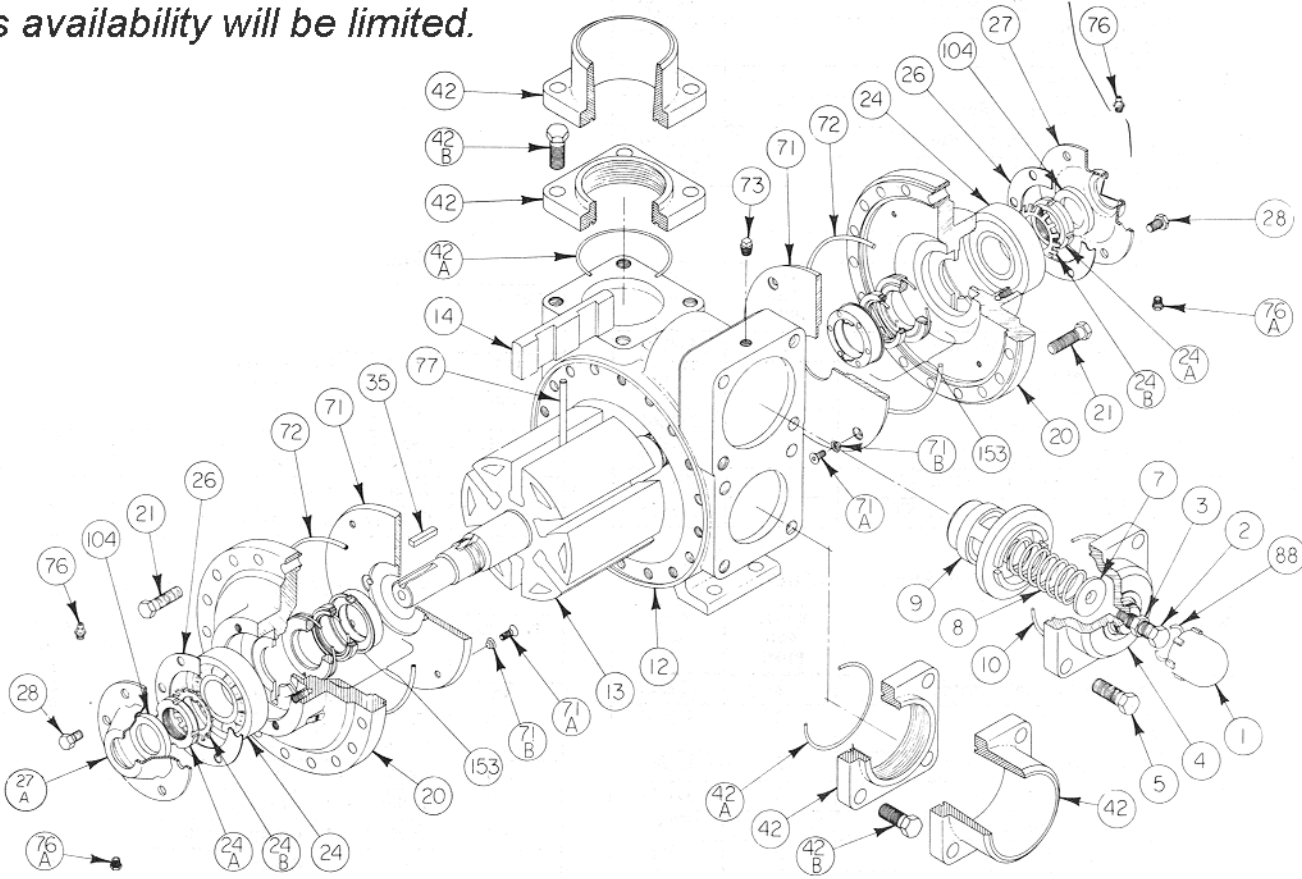
960226

PARTS LIST NO. 185/D1

Section
Effective
Replaces

100
November 1988
November 1982

*These models are obsolete.
Parts availability will be limited.*



REF. NO.	PART NAME	PARTS PER PUMP	PART NO.	REF. NO.	PART NAME	PARTS PER PUMP	PART NO.
1	Cap - Relief Valve (R/V)	1	413952	24B	Lockwasher - Bearing	2	903524
2	Adjusting Screw - R/V	1	436307	26	Gasket - Bearing Cover	2	385125#
3	Locknut - Adjusting Screw	1	436355	27	Bearing Cover - Outboard	1	041817
4	Cover - R/V	1	412001	27A	Bearing Cover - Inboard	1	041815
5	Capscrew - R/V Cover	4	920663	28	Capscrews - Bearing Cover	12	920286
7	Spring Guide - R/V	1	426355	35	Key - Shaft	1	909183
8	Spring - R/V (35-50 psi)	1	476303	42	Flange - 4" Weld	1 - 2	652005
	Spring - R/V (51-75 psi) (Std.)		476309		Flange - 3" Weld		652007
	Spring - R/V (76-125 psi)		476304		Flange - 3" NPT		652012
	Spring - R/V (126-150 psi)		476308		O-Ring - Flange		701937#
9	Valve - R/V	1	452001	42B	Capscrews - Weld Flange	4 - 8	920640
10	O-Ring - R/V Cover	1	701946#		Capscrews - NPT Flange		920663
12	Cylinder	1	022000	71	Disc	2	062003
13	Rotor & Shaft Asy. (Includes Ref. No. 24A)	1	262018	71A	Screw - Disc	8	920007
	EC Rotor & Shaft Asy. (Includes Ref. No. 24A)		262027	71B	Lockwasher - Disc	8	909622
14	Vane - Duravane (Std.)	6	092019	72	O-Ring - Head (Buna-N)	2	701944#
	Vane - Bronze		092006	73	Gage Plug	2	908195
	Vane - Cast Iron		092017	76	Grease Fitting	2	317815
	Vane - Laminate		092026	76A	Grease Relief Fitting	2	701992
	Vane - EC Laminate		092029	77	Push Rod	3	122001
20	Head	2	032007	88	O-Ring - R/V Cap	1	701926#
21	Capscrews - Head	36	920532	104	Grease Seal	1	331908#
24	Ball Bearing	2	903172		Gasket Repair Kit		890560
24A	Locknut - Bearing	2	903523				

Parts Included in Gasket Repair Kit.

PARTS LIST NO. 185/D2

X3½ - MECHANICAL SEAL - STANDARD

REF. NO.	PART NAME	PARTS PER PUMP	PART NO.
153	Mechanical Seal Assembly	2	332050
153A	Seat - Stationary (Hardened Steel)	2	332005
153B	Face - Carbon Seal	2	331867
153C	Jacket Assembly - Seal	2	331886
153D	O-Ring - Stationary (Buna-N)	2	701934
153E	O-Ring - Rotating (Buna-N)	2	711912

X3½ - MECHANICAL SEAL - OPTIONAL

REF. NO.	PART NAME	PARTS PER PUMP	PART NO.
153	Mechanical Seal Assembly	2	332028
153A	Seat - Stationary (Hardened Steel)	2	332005
153B	Face - Bronze Seal	2	331866
153C	Jacket Assembly - Seal	2	331886
153D	O-Ring - Stationary (Buna-N)	2	701934
153E	O-Ring - Rotating (Buna-N)	2	711912

X3½ - MECHANICAL SEAL - OPTIONAL

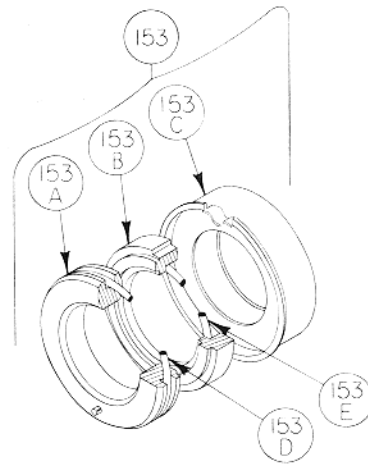
REF. NO.	PART NAME	PARTS PER PUMP	PART NO.
153	Mechanical Seal Assembly	2	332029
153A	Seat - Stationary (Hardened Steel)	2	332005
153B	Face - Bronze Seal	2	331866
153C	Jacket Assembly - Seal	2	331886
153D	O-Ring - Stationary (Viton)	2	701921
153E	O-Ring - Rotating (Viton)	2	701962

XS3½ - MECHANICAL SEAL - OPTIONAL

REF. NO.	PART NAME	PARTS PER PUMP	PART NO.
153	Mechanical Seal Assembly	2	332028
153A	Seat - Stationary (Hardened Steel)	2	332005
153B	Face - Bronze Seal	2	331866
153C	Jacket Assembly - Seal	2	331886
153D	O-Ring - Stationary (Buna-N)	2	701934
153E	O-Ring - Rotating (Buna-N)	2	711912

XS3½ - MECHANICAL SEAL - STANDARD

REF. NO.	PART NAME	PARTS PER PUMP	PART NO.
153	Mechanical Seal Assembly	2	332053
153A	Seat - Stationary (Hardened Steel)	2	332005
153B	*Seal Face & Ring Assembly (Carbon & Teflon)	2	331844
153C	Jacket Assembly - Seal	2	331886
153D	O-Ring - Stationary (Buna-N)	2	701934



XS3½ - MECHANICAL SEAL - OPTIONAL

REF. NO.	PART NAME	PARTS PER PUMP	PART NO.
153	Mechanical Seal Assembly	2	336922
153A	Seat - Stationary (Hardened Steel)	2	332005
153B	*Seal Face & Ring Assembly (Carbon & Teflon)	2	331844
153C	Jacket Assembly - Seal	2	331886
153D	O-Ring - Stationary (Viton)	2	701921

XS3½ - MECHANICAL SEAL - OPTIONAL

REF. NO.	PART NAME	PARTS PER PUMP	PART NO.
153	Mechanical Seal Assembly	2	332054
153A	Seat - Stationary (Hardened Steel)	2	332005
153B	Face - Carbon Seal	2	331867
153C	Jacket Assembly - Seal	2	331886
153D	O-Ring - Stationary (Viton)	2	701921
153E	O-Ring - Rotating (Viton)	2	701962

XS3½ - MECHANICAL SEAL - OPTIONAL

REF. NO.	PART NAME	PARTS PER PUMP	PART NO.
153	Mechanical Seal Assembly	2	332029
153A	Seat - Stationary (Hardened Steel)	2	332005
153B	Face - Bronze Seal	2	331866
153C	Jacket Assembly - Seal	2	331886
153D	O-Ring - Stationary (Viton)	2	701921
153E	O-Ring - Rotating (Viton)	2	701962

XS3½ - MECHANICAL SEAL - OPTIONAL

REF. NO.	PART NAME	PARTS PER PUMP	PART NO.
153	Mechanical Seal Assembly	2	332051
153A	Seat - Stationary (Stainless Steel)	2	332015
153B	*Seal Face & Seal Assembly (Carbon & Teflon)	2	331844
153C	Jacket Assembly - Seal	2	331886
153D	O-Ring - Stationary (Buna-N)	2	701934

* Teflon Seal Ring is not available as a separate part.