

# BLACKMER PUMP PARTS LIST\*

## MODELS: HXL6F-N, HXLS6F-N

(For Operation and Maintenance Instructions See Instruction No. 185/E)

Discontinued Models. Parts Availability May be Limited.

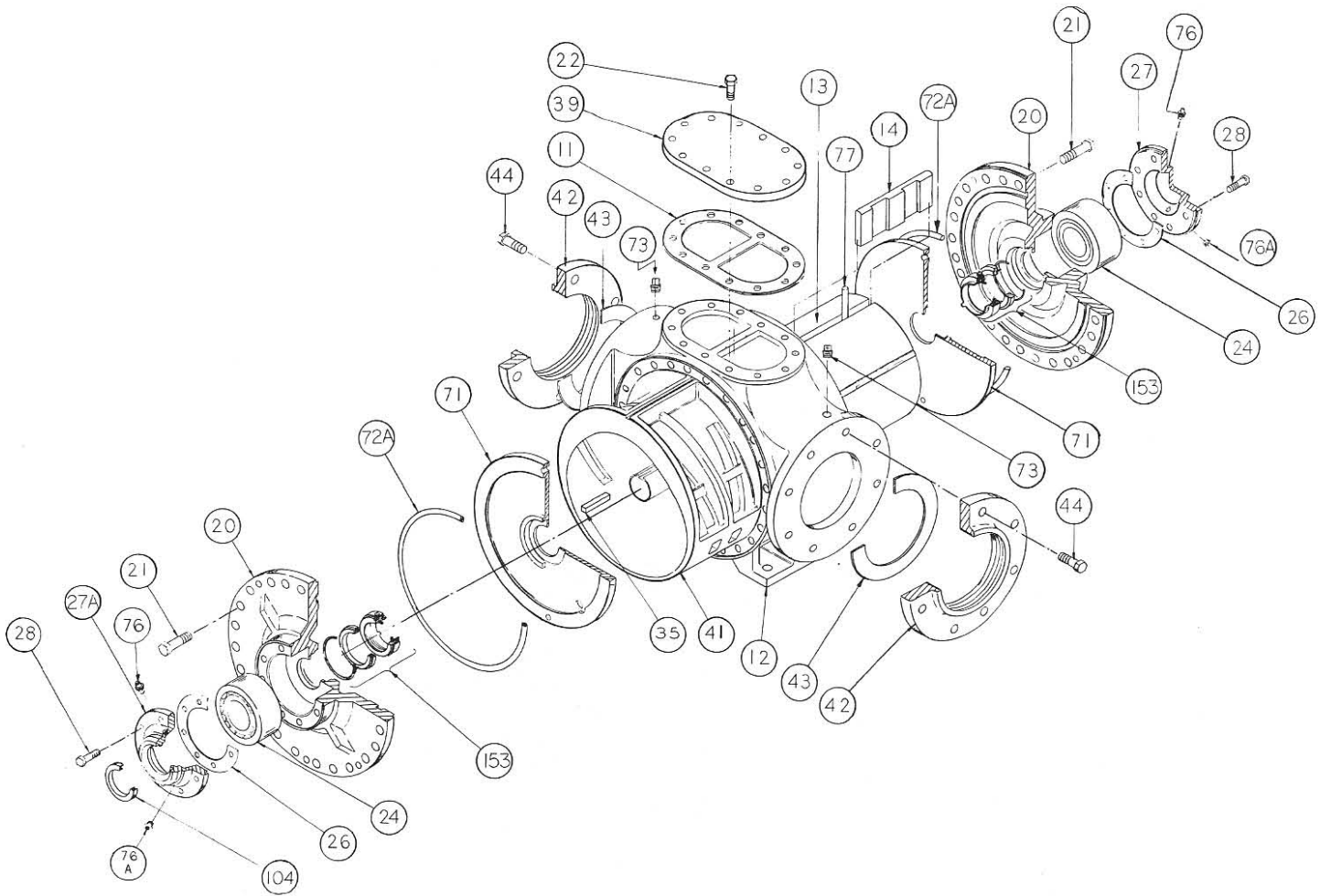
960232  
**PARTS LIST NO. 185/E6**

Section	100
Effective	July 1985
Replaces	November 1982



\*Parts List 185/E6 may also be used for HXL6-E pump models.

# PUMP PARTS LIST

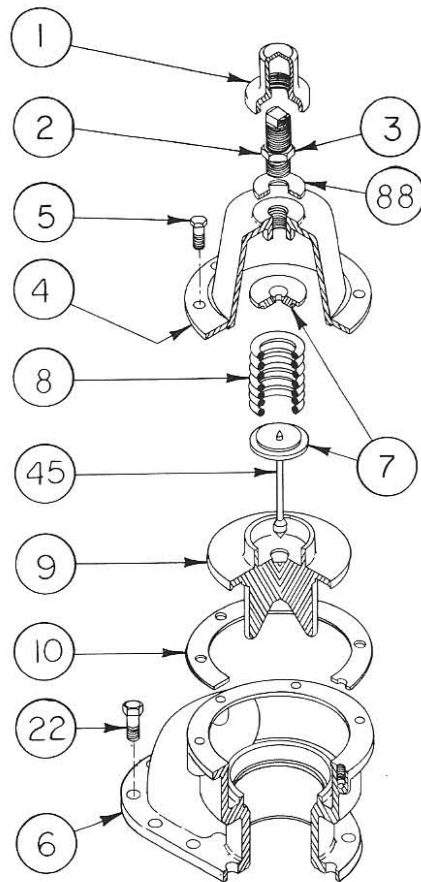


REF. NO.	PART NAME	NO. PARTS PER PUMP	PART NO.
11	Gasket - Blanking Plate	1	537252#
12	Casing - (Ductile)	1	017218
13	Rotor & Shaft	1	287239
	Rotor & Shaft - EC		287240
14	Vane - Laminate	6	097209
	Vane - Composition - EC		097258
	Vane - Cast Iron		097251
	Vane - Cast Iron - EC		097253
	Vane - Bronze		097252
	Vane - Bronze - EC	097254	
20	Heads (Ductile)	2	037208
21	Capscrews - Head	32	920680
22	Capscrews - Hub	10	920640
24	Bearings	2	903269
26	Gasket - Bearing Cover	2	386926#
27	Cover - Outboard Bearing	1	046905
27A	Cover - Inboard Bearing	1	046909
28	Capscrews - Bearing Cover	16	920510

REF. NO.	PART NAME	NO. PARTS PER PUMP	PART NO.
35	Key	1	909193
39	Plate - Blanking (Ductile)	1	497208
41	Liner (Cast Iron)	1	187205
42	Flange (Ductile)	2	657204
43	Gaskets - Flange	2	387511#
44	Capscrews - Flange	16	920780
71	Discs (Cast Iron)	2	067205
72A	O-Rings - Head (Buna-N)	2	711968#
	O-Rings - Head (Viton)		711972#
73	Plug - Gage	2	908195
76	Fitting - Grease	2	317815
76A	Fitting - Grease Relief	2	701992
77	Push Rod (Steel)	3	127207
104	Seal - Grease	1	904183#
			Gasket Repair Kit HXL6
			897295
			Gasket Repair Kit HXLS6
			897296
#Parts Included in Gasket Repair Kit			

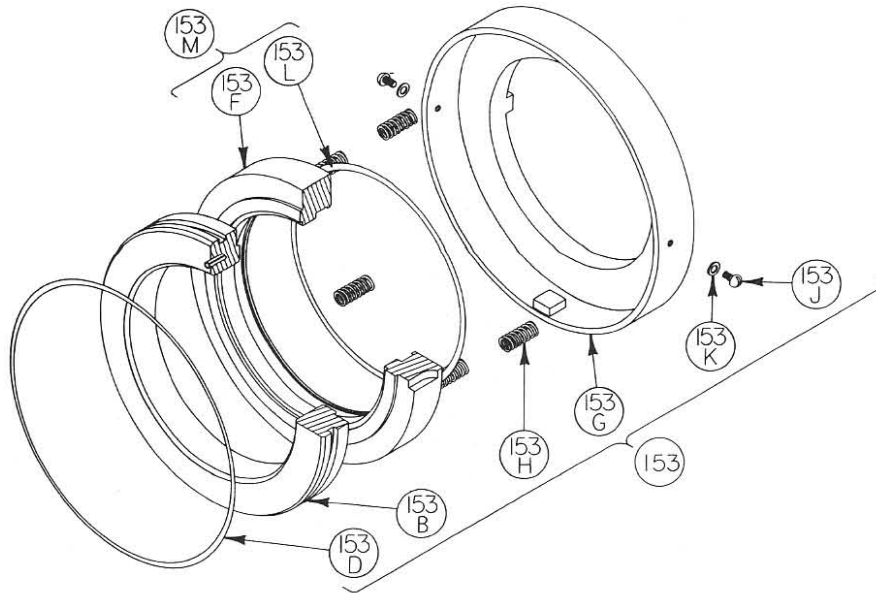
EC = Extra Clearance

# RELIEF VALVE



REF. NO.	PART NAME	NO. PARTS PER PUMP	HXL(S)6F-N
			FULL PRESS. RANGE
1	Cap (Ductile)	1	417710
2	Adjusting Screw	1	437205
3	Locknut	1	436655
4	Cover (Ductile)*	1	417200
5	Capscrews - Cover	6	920640
6	Body (Ductile) Epon Finish	1	407208
7	Spring Guide (Cast Iron)	2	427200
8	Spring (25-45 PSI)	1	477803
	Spring (46-80 PSI)		477805
	Spring (81-125 PSI)		477203
	Spring (35-80 PSI) Stainless Steel		477201
	Spring (81-125 PSI) Stainless Steel		477204
9	Valve (Cast Iron)	1	457215
10	Gasket - Cover	1	536606#
22	Capscrews - Body	10	920640
45	Guide Rod (Steel)	1	427205
88	Gasket - Cap	1	536652#

# MECHANICAL SEALS



HXL6F-N MECHANICAL SEAL — STANDARD

REF. NO.	PART NAME	NO. PARTS PER PUMP	PART NO.
153	Mechanical Seal Assembly	2	337722
153B	Stationary Seat - NI Resist	2	337738
153D	O-Ring, Stat. - Buna-N	2	701937
153F	Seal Face - Carbon	2	337746
153G	Seal Jacket Assembly	2	337753
153H	Seal Spring	12	337716
153J	Screw	4	922740
153K	Lockwasher	4	909608
153L	O-Ring, Rot. - Buna-N	2	701934

HXLS6F-N MECHANICAL SEAL — OPTIONAL

REF. NO.	PART NAME	NO. PARTS PER PUMP	PART NO.
153	Mechanical Seal Assembly	2	337764
153B	Stationary Seat - NI Resist	2	337738
153D	O-Ring, Stat. - Viton	2	701968
153F	Seal Face - Bronze	2	337751
153G	Seal Jacket Assembly	2	337753
153H	Seal Spring	12	337716
153J	Screw	4	922740
153K	Lockwasher	4	909608
153L	O-Ring, Rot. - Viton	2	701921

HXL6F-N MECHANICAL SEAL — OPTIONAL

REF. NO.	PART NAME	NO. PARTS PER PUMP	PART NO.
153	Mechanical Seal Assembly	2	337758
153B	Stationary Seat - NI Resist	2	337738
153D	O-Ring, Stat. - Buna-N	2	701937
153F	Seal Face - Bronze	2	337751
153G	Seal Jacket Assembly	2	337753
153H	Seal Spring	12	337716
153J	Screw	4	922740
153K	Lockwasher	4	909608
153L	O-Ring, Rot. - Buna-N	2	701934

HXLS6F-N MECHANICAL SEAL — OPTIONAL

REF. NO.	PART NAME	NO. PARTS PER PUMP	PART NO.
153	Mechanical Seal Assembly	2	337765
153B	Stationary Seat - NI Resist	2	337738
153D	O-Ring, Stat. - Viton	2	701968
153F	Seal Face - Carbon	2	337746
153G	Seal Jacket Assembly	2	337753
153H	Seal Spring	12	337716
153J	Screw	4	922740
153K	Lockwasher	4	909608
153L	O-Ring, Rot. - Viton	2	701921

HXLS6F-N MECHANICAL SEAL — STANDARD

REF. NO.	PART NAME	NO. PARTS PER PUMP	PART NO.
153	Mechanical Seal Assembly	2	337766
153B	Stationary Seat - NI Resist	2	337738
153D	O-Ring, Stat. - Buna-N	2	701937
153G	Seal Jacket Assembly	2	337753
153H	Seal Spring	12	337716
153J	Screw	4	922740
153K	Lockwasher	4	909608
153M	Seal Face & Seal Ring Assembly — Carbon/Teflon	2	337244