

# BLACKMER PUMP PARTS LIST

## MODEL: SMVP50

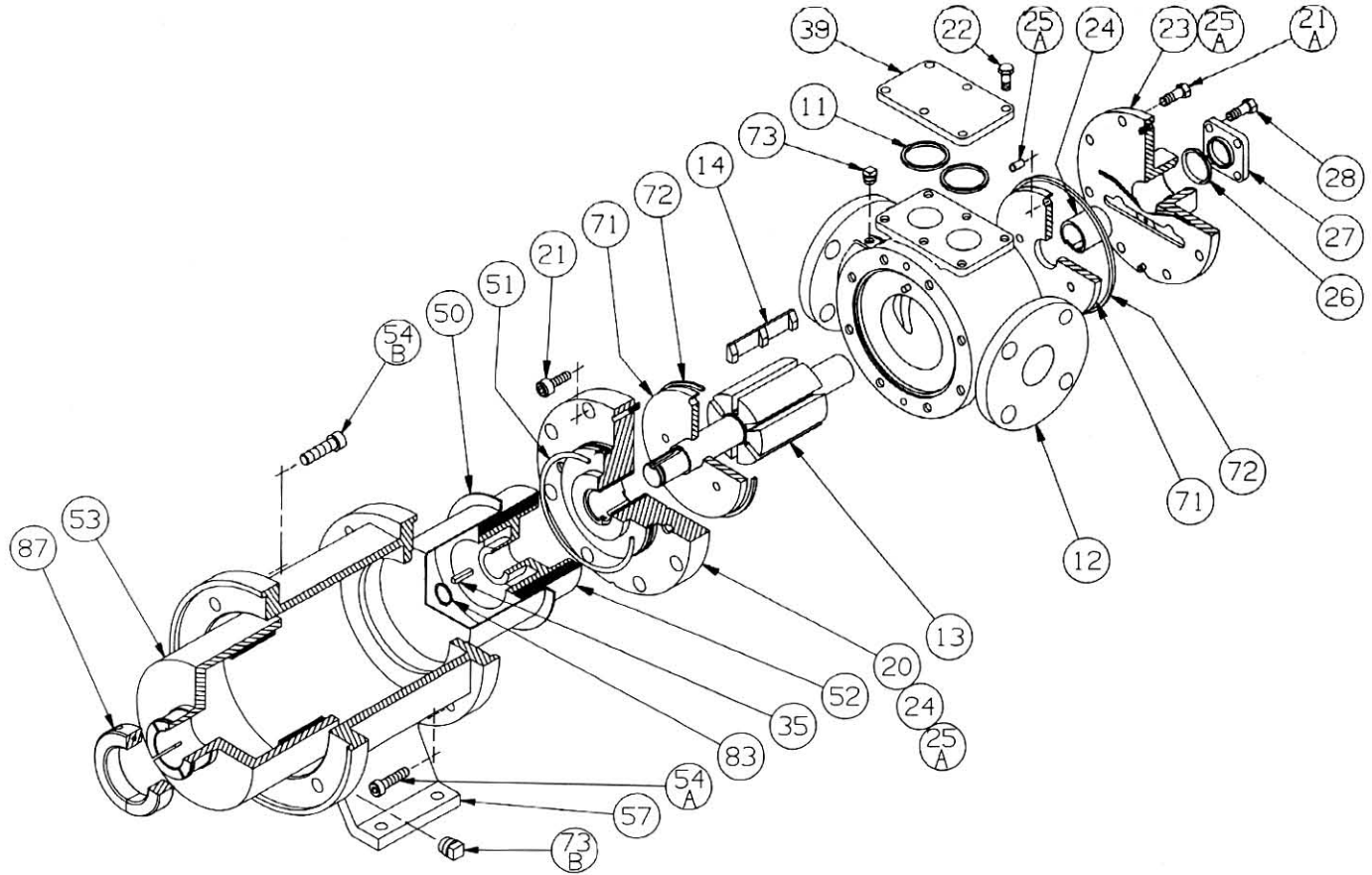
(See Instructions 185/U for Operation and Maintenance)

Discontinued Models. Parts availability may be limited.

963701

**PARTS LIST NO. 185/U5**

Section	100
Effective	April 1991
Replaces	New



REF. NO.	PART NAME	PARTS PER PUMP	PART NO.	REF. NO.	PART NAME	PARTS PER PUMP	PART NO.
11	Seal Ring - Blanking Plate	2	533811	35	Key - Shaft	1	909197
12	Cylinder	1	023700	39	Blanking Plate	1	493801
13	Rotor & Shaft	1	263700	50	Containment Can	1	681401
14	Vane - Duravane (Std.)	6	091405	51	O-Ring - Containment Can	1	702083
	Vane - Laminate		091406	52	Inner Magnet	1	*
	Vane - Carbon		091407	53	Outer Magnet	1	*
20	Inboard Head & Bushing Asy.	1	033700	54A	Capscrews - Housing/Head	4	920371
21	Capscrews - Inboard Head	8	920338	54B	Capscrews - Housing/Motor	4	920508
21A	Capscrews - Outboard Head	8	920335	57	Magnet Housing	1	681403
22	Capscrews - Blanking Plate	6	920179	71	Disc	2	063700
23	Outboard Head & Bushing Asy.	1	033701	72	Seal Ring - Head	2	383801
24	Sleeve Bearing	2	161402	73	Gage Plug (1/4")	2	908193
25A	Dowel Pin	6	930564	73B	Inspection Plug - Housing	1	908207
26	Seal Ring - Bearing Cover	1	711957	83	Snap Ring	1	903598
27	Bearing Cover	1	043101	87	Lockcollar - Outer Magnet <sup>1</sup> (182/184TC Frame)	1	681209
28	Capscrews - Bearing Cover	4	920129		Lockcollar - Outer Magnet <sup>1</sup> (213/215TC Frame)		681409

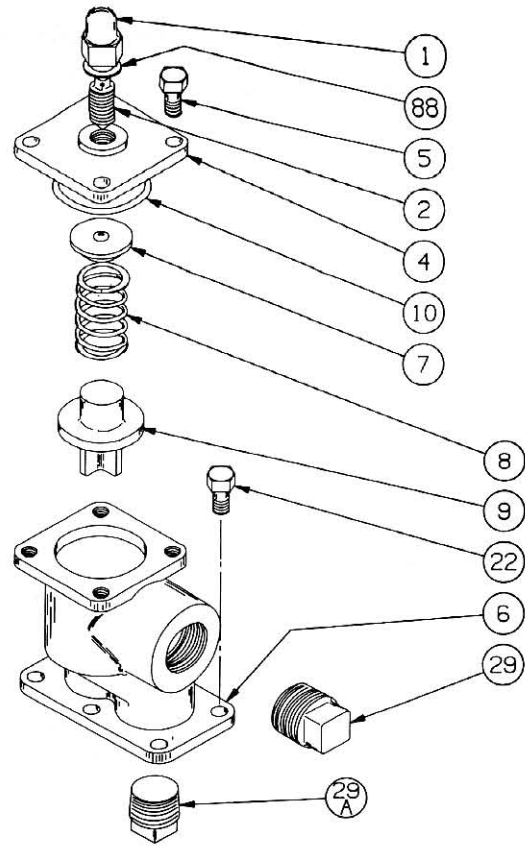
\*Sold as an assembly only - See Magnet Assembly Selection Table.

<sup>1</sup>Lockcollar is included with Magnet Assembly.

**PARTS LIST NO. 185/U6**

**RELIEF VALVE - OPTIONAL**

REF. NO.	PART NAME	PARTS PER PUMP	PART NO.
1	Cap - Relief Valve (R/V)	1	413151
2	Adjusting Screw - R/V	1	433101
4	Cover - R/V	1	413801
5	Capscrews - R/V Cover	4	920129
6	Body - R/V	1	403801
7	Spring Guide - R/V	1	423101
8	Spring - R/V (25-50 psi)	1	471417
	Spring - R/V (51-75 psi)(Std.)		471418
	Spring - R/V (76-100 psi)		471427
	Spring - R/V (101-150 psi)		471429
9	Valve - R/V	1	453801
10	O-Ring - R/V Cover	1	533801
22	Capscrews - R/V Body	6	920179
29	Plug (1 1/4")	0 - 1	908244
29A	Plug (1") (External By-Pass)	0 - 1	908229
88	Gasket - R/V Cap	1	533101



**MAGNET ASSEMBLY SELECTION TABLE**

MOTOR FRAME	TORQUE (FT-LBS)	MAGNET ASSEMBLY
182TC/184TC	31.25	891560
213TC/215TC	31.25	891561
213TC/215TC	45.00	891562

**blackmer**

A **DOVER** RESOURCES COMPANY

1809 Century Avenue, Grand Rapids, Michigan 49509, U.S.A.  
 (616) 241-1611 • Telex: 4320148 • Fax: (616) 241-3752