

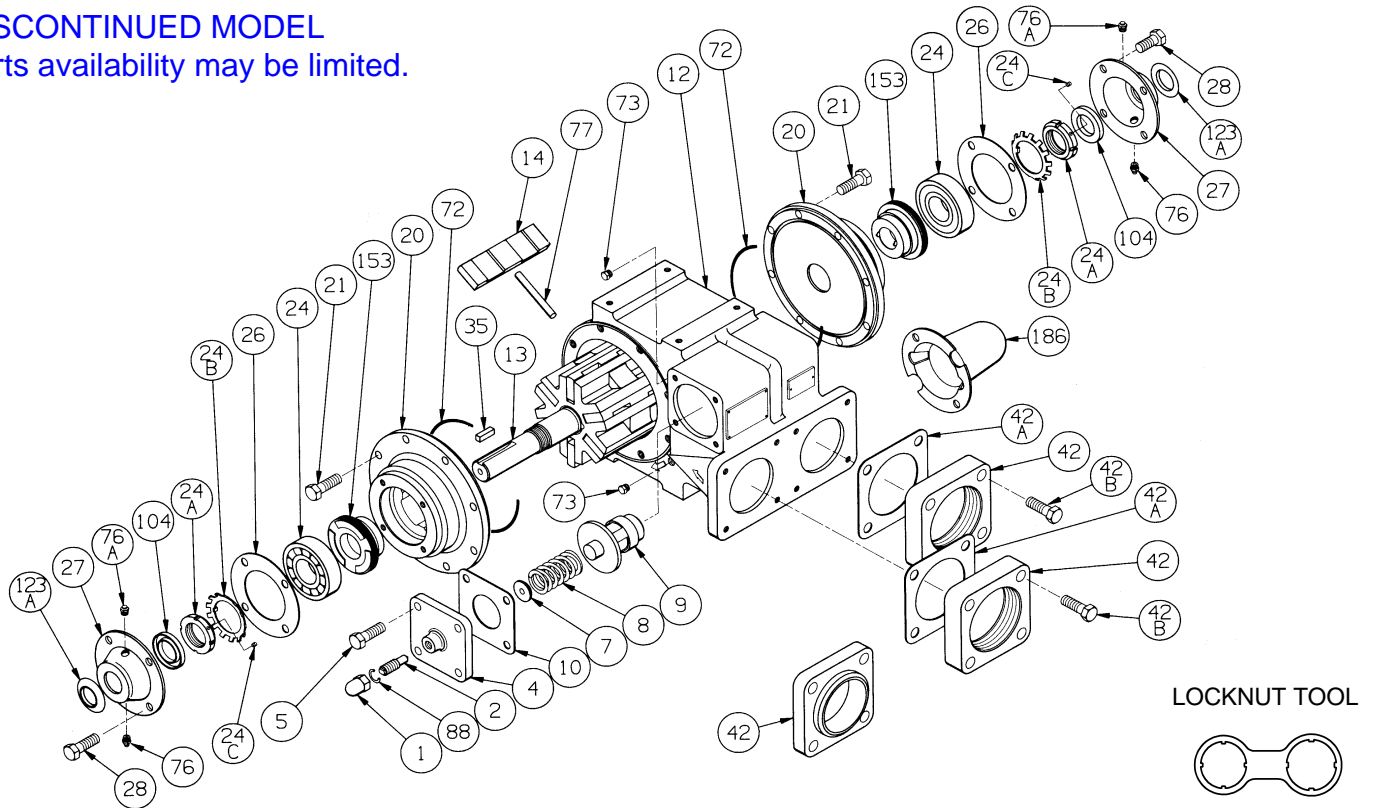
# BLACKMER PARTS LIST

## PUMP MODEL: TXH3A

(See Instructions 285/H for Installation, Operation and Maintenance)

Section      201  
Effective      June 2002  
Replaces      285/H9 June 1993

**DISCONTINUED MODEL**  
Parts availability may be limited.



Ref. No.	Description	Parts per Pump	Part No.	Ref. No.	Description	Parts per Pump	Part No.
1	Cap – Relief Valve (R/V)	1	411452	24B	Lockwasher	2	903522
2	Adjusting Screw – Relief Valve	1	431401	24C	Setscrew – Locknut (in 24A)	2	922053
4	Cover – Relief Valve	1	411607	26	Gasket – Bearing Cover	2	383940
5	Capscrew – R/V Cover (M10 x 25)	4	920199	27	Bearing Cover	2	041431
7	Spring Guide – Relief Valve	1	423955	28	Capscrew – Bearing Cover (M10 x 16)	8	920127
8	Spring – Valve (41- 50 psi)	1	471608	35	Key – Shaft	1	909104
	Spring – Valve (51 –75 psi)		471631	42	Flange – 3" NPT	2	651803
	Spring – Valve (76-125 psi)(Std.)		471614		Flange – 3" Weld		655106
	SS Spring – Valve (41- 50 psi)		471610	42A	Gasket – Flange	2	381811
	SS Spring – Valve (51 –75 psi)*		471632	42B	Capscrew – NPT Flange (M12 x 45)	8	920236
	SS Spring – Valve (76-125 psi)*		471615		Capscrew – Weld Flange (M12 x 40)		920234
9	Relief Valve (Std.)	1	451623	72	O-Ring – Head (Buna-N) (Std.)	2	701947
	Relief Valve (Nickel Plated)		451624		O-Ring – Head (FKM)		701914
10	Gasket – R/V Cover	1	531603	73	Gage Plug	2	908198
12	Cylinder – Pump	1	021814	76	Grease Fitting	2	317815
13	Rotor & Shaft Assembly, w/24A, 24B	1	261834	76A	Grease Relief Fitting	2	701992
14	Vane – Duravane (Std.)	6	091619	77	Push Rod - Vane	3	121806
	Vane – Laminate		091627	88	Gasket – Relief Valve Cap	1	701981
20	Head	2	031802	104	Grease Seal	2	331918
21	Capscrew – Head (M10 x 25)	16	920199	123A	Dirt Shield	2	701480
24	Ball Bearing	2	903162	186	Shaft Protector	1	341601
24A	Locknut Assembly w/setscrew (24C)	2	903511		Tool - Locknut		903091
					Air Valve Kit		891799

Keep this parts list with Installation, Operation and Maintenance Instructions.

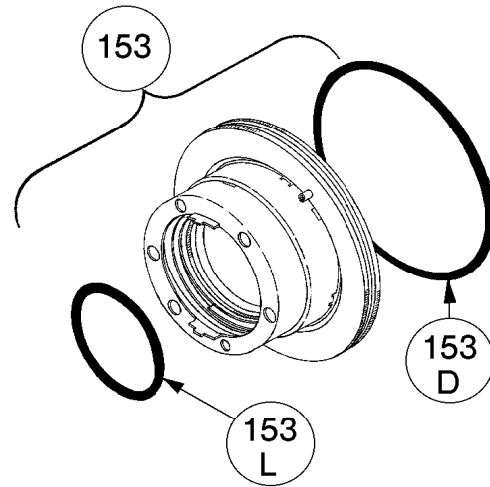
If uncertain of the proper mechanical seal for your application, contact a local Blackmer Distributor.

**MECHANICAL SEAL – STANDARD**

Ref. No.	Part Name	Parts Per Pump	Part No.
153	Mechanical Seal Complete – Cast Iron Stationary Seat, Carbon Seal Face, Buna-N O-Rings	2	331601
153D	O-Ring – Stationary (Buna-N)	2	701934
153L	O-Ring – Rotating (Buna-N)	2	711922

**MECHANICAL SEAL - OPTIONAL**

Ref. No.	Part Name	Parts Per Pump	Part No.
153	Mechanical Seal Complete – Cast Iron Stationary Seat, Buna-N O-Ring, Carbon Seal Face with PTFE Seal Ring (See Note 1)	2	331602
	Mechanical Seal Complete – Stainless Steel Stationary Seat, Buna-N O-Ring, Carbon Seal Face with PTFE Seal Ring (See Note 2)		331650
	Mechanical Seal Complete – Stainless Steel Stationary Seat, Carbon Seal Face, FKM O-Rings (See Note 3)		331654
	Mechanical Seal Complete – Cast Iron Stationary Seat, Carbon Seal Face, FKM O-Rings (See Note 3)		331655
153D	O-Ring – Stationary (Buna-N)	2	701934
	O-Ring – Stationary (FKM)		701921
153L	O-Ring – Rotating (FKM)	2	701980



- Standard Solvent construction.  
PTFE seal ring is not available as a separate part.
- Chlorinated Solvents  
PTFE seal ring is not available as a separate part.
- Fluorocarbon (FKM) O-rings are not recommended for ketones and esters.

**OPTIONAL HYDRAULIC MOTOR ADAPTER PARTS**

Ref. No.	Part Name	Parts Per Pump	PART NO.
See Below	<b>Hydraulic Motor Adapter Kit TXH3A</b>	See Below	894426
26A	Gasket- Hydraulic Motor Adapter	1	383940
28A	Capscrew – Hydraulic Motor Adapter / Head	6	924037
34	Coupling w/ Setscrew	1	906968
35	Key – Coupling	1	909178
76	Grease Fitting	1	317815
76A	Grease Relief Fitting	1	701992
135	Hydraulic Motor Adapter	1	041827
135A	Capscrew – Adapter / Motor	2	920510

