

BLACKMER PUMP PARTS LIST

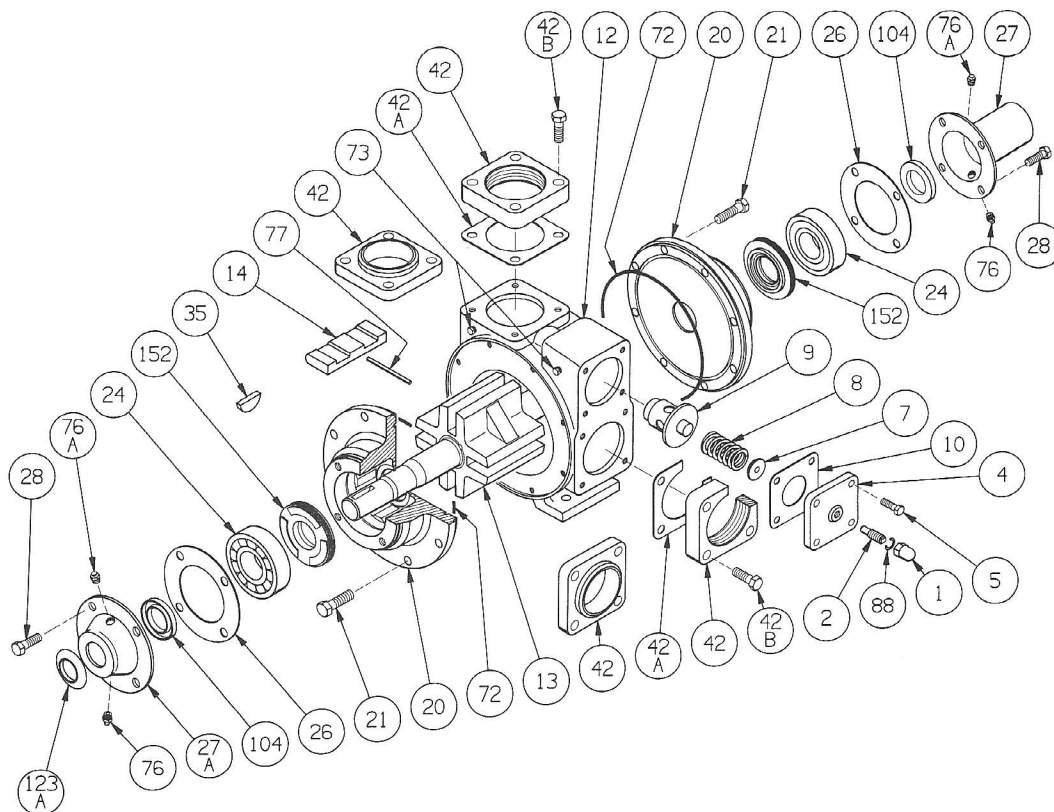
MODEL: TXV2

(See Instructions 285/C for Operation and Maintenance)

961404
PARTS LIST NO. 285/C15

Section	200
Effective	October 1993
Replaces	New

Discontinued Model. Parts availability may be limited.



REF. NO.	PART NAME	PARTS PER PUMP	PART NO.	REF. NO.	PART NAME	PARTS PER PUMP	PART NO.
1	Cap - Relief Valve (R/V)	1	411452	21	Capscrews - Head	16	920331
2	Adjusting Screw - R/V	1	431401	24	Ball Bearing	2	903156
4	Cover - R/V	1	411401	26	Gasket - Bearing Cover	2	381406
5	Capscrew - R/V Cover	4	920316	27	Bearing Cover - Outboard	1	341600
7	Spring Guide - R/V	1	423955	27A	Bearing Cover - Inboard	1	041431
8	Spring - R/V (51-75 psi)	1	471420	28	Capscrews - Bearing Cover	8	920285
	Spring - R/V (76-110 psi)(Std.)		471425	35	Key - Shaft	1	909130
	Spring - R/V (111-125 psi)		471428	42	Flange - 2" NPT (Std.)	2	651411
	SS Spring - R/V (51-75 psi) ¹		471418		Flange - 2" Weld		654405
	SS Spring - R/V (76-110 psi) ¹		471427	42A	Gasket - Flange	2	381421
	SS Spring - R/V (111-125 psi) ¹		471429	42B	Capscrew - Flange	8	920351
9	Valve - R/V (Std.)	1	451417	72	O-Ring - Head (Viton) (Std.)	2	701914
	Valve - R/V (Nickel Plated)		451415		O-Ring - Head (Teflon)		702242
10	Gasket - R/V Cover	1	531421	73	Gage Plug	2	908198
12	Cylinder	1	021403	76	Grease Fitting	2	317815
13	Rotor & Shaft - Double Ended	1	261424	76A	Grease Relief Fitting	2	701992
14	Vane - Bronze (Std.)	4	093924	77	Push Rod	2	123905
	Vane - Cast Iron		093923	88	Gasket - R/V Cap	1	701981
	Vane - Duravane		091419	104	Grease Seal	2	331918
	Vane - Laminate		091429	123A	Dirt Shield	1	701480
20	Head (Std.)	2	031425	152	Lip Seal Assembly	2	See Backside
	Head with Drain (Opt.)		031426				

¹ Stainless Steel Spring

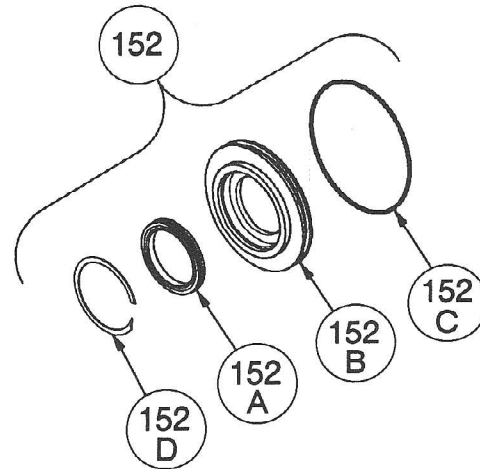
Viton and Teflon are Registered Trademarks of E.I. DuPont.

IMPORTANT NOTE: This parts list should be kept with Installation, Operation and Maintenance Instructions 285/C.

PARTS LIST NO. 285/C16

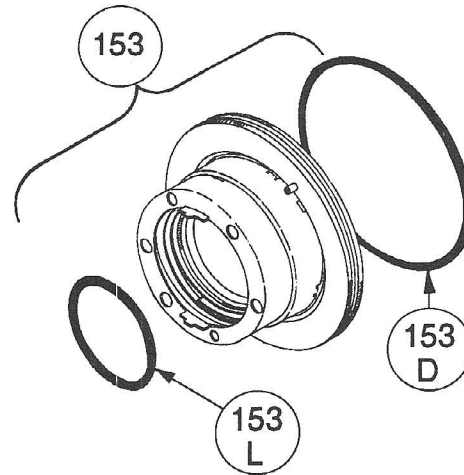
LIP SEAL - STANDARD

REF. NO.	PART NAME	PARTS PER PUMP	PART NO.
152	Lip Seal Complete - Lip Seal, Housing w/ Viton O-Ring. (Std.)	2	331664
	Lip Seal Complete - Lip Seal, Housing w/ Teflon O-Ring.		331665
152A	Lip Seal	2	331662
152B	Housing - Lip Seal	2	331663
152C	O-Ring - Housing (Viton)	2	701921
	O-Ring - Housing (Teflon)		702056
152D	Retaining Ring - Lip Seal	2	903562



MECHANICAL SEAL - OPTIONAL

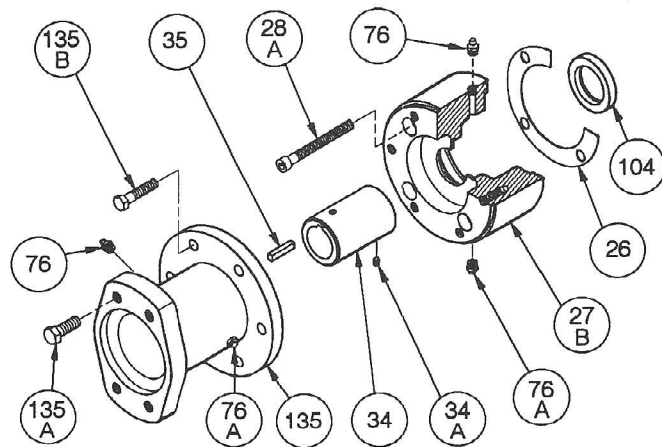
REF. NO.	PART NAME	PARTS PER PUMP	PART NO.
153	Mechanical Seal Complete - Cast Iron Stationary Seat, Carbon Seal Face, Viton O-Rings.	2	331655
	Mechanical Seal Complete - Cast Iron Stationary Seat, Teflon O-Ring, Carbon Seal Face w/ Teflon Seal Ring.		331673
153D	O-Ring - Stationary (Viton)	2	701921
	O-Ring - Stationary (Teflon)		702056
153L	O-Ring - Rotating (Viton)	2	701980
	Seal Ring - Rotating (Teflon)		**



** Teflon Rotating Seal Ring is not available as a separate part.

OPTIONAL HYDRAULIC ADAPTER PARTS

REF. NO.	PART NAME	PARTS PER PUMP	PART NO.
26	Gasket - Bearing Cover	1	383940
27B	Bearing Cover	1	831400
28A	Capscrew - Bearing Cover/Head	4	920408
34	Coupling	1	906926
34A	Setscrew - Coupling	1	922075
35	Key - Coupling	1	909184
76	Grease Fitting	2	317815
76A	Grease Relief Fitting	2	701992
104	Grease Seal	1	331918
135	Hydraulic Motor Adapter	1	041801
135A	Capscrew - Adapter/Motor	4	920457
135B	Capscrew - Adapter/Bearing Cover	6	920331



blackmer

A DOVER RESOURCES COMPANY

1809 Century Avenue, Grand Rapids, Michigan 49509, U.S.A.
 (616) 241-1611 • Telex: 4320148 • Fax: (616) 241-3752