

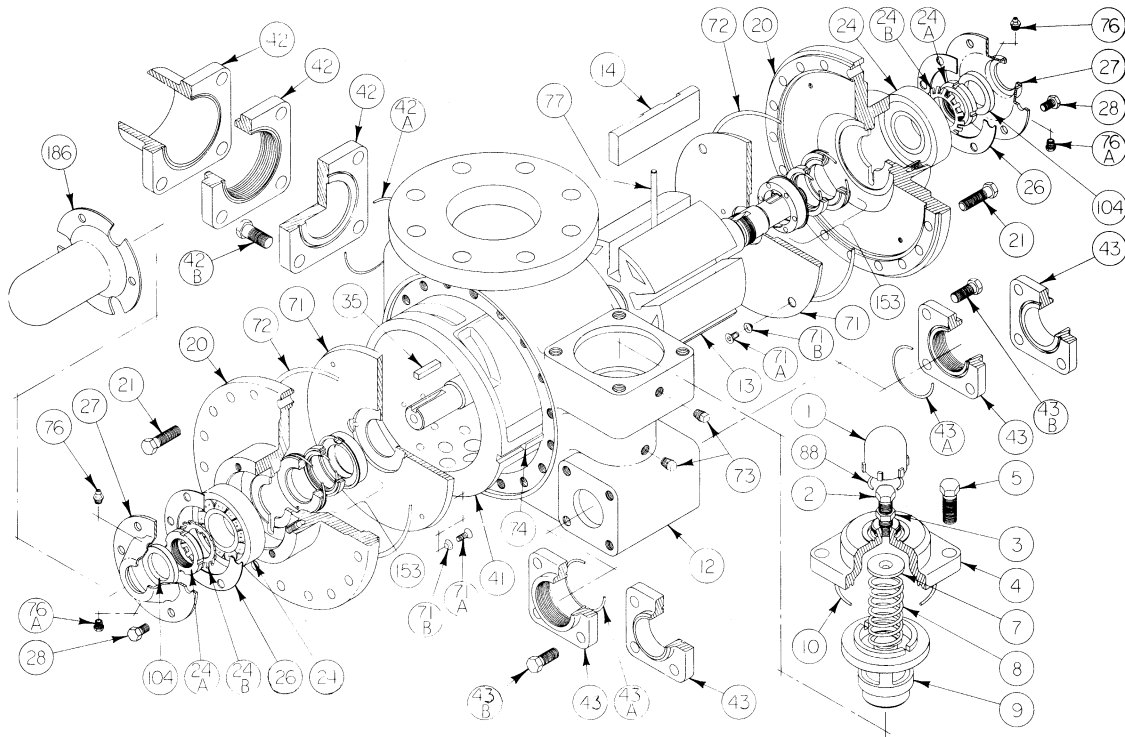
BLACKMER PUMP PARTS LIST

MODELS: TLGFD4, TLGLF4

(See Instructions 585/ZG for Operation and Maintenance)

960432
PARTS LIST NO. 585/ZG3

Section Effective Replaces | 500 May 1985 April 1983



DISCONTINUED MODELS

REF. NO.	PART NAME	NO. PARTS PER PUMP	PART NO. TLGFD4	PART NO. TLGLF4	REF. NO.	PART NAME	NO. PARTS PER PUMP	PART NO. TLGFD4	PART NO. TLGLF4
1	Valve Cap	1	413952	413952	AUXILIARY INTAKE OPTIONS				
2	Adjusting Screw	1	436307	436307	42	Flange, 3" NPT	1	652001	652012
3	Locknut	1	436355	436355		Flange, 4" Weld		652005	652005
4	Valve Cover	1	412005	412001		Flange, 3" Weld		652007	652007
5	Cover Capscrews	4	920663	920663		Flange, Blank		652013	652000
7	Spring Guide	1	426355*	426355*	42A	"O" Ring, Inlet Flange	1	701937*	701937*
8	Valve Spring	1	476304*	472039*	42B	Inlet Flange Capscrew	4	920640	920663
9	Relief Valve	1	452001*	452001*	TWIN DISCHARGE PORT OPTIONS				
10	"O" Ring, Valve Cover	1	701946*	701946*	43	Flange, 2" NPT	2	652010	652010
12	Cylinder	1	022013	—		Flange, 2" Weld		652011	652011
	Casing	—	—	012039	43A	"O" Ring, 2" Flange	2	701919*	701919*
13	Rotor & Shaft Assy.	1	262022	262022	43B	Discharge Flange Capscrew	8	920491	920491
14	Vane-Duravane	6	092019*	092019*					
	Vane-Laminate		092026	092026					
20	Head	2	032006	032039	71	Disc	2	062003*	062039*
21	Head Capscrews	36	920532	920532	71A	Disc Machine Screw	8	920007*	920015*
24	Bearing	2	903172*	903172*	71B	Disc Lockwasher	8	909622*	909622*
24A	Locknut	2	903523	903523	72	"O" Ring, Head	2	701944*	702039*
24B	Lockwasher	2	903524*	903524*	73	Gage Plug	2	908195	908195
26	Bearing Cover Gasket	2	385125*	385125*	74	Liner Key	1	—	182040
27	Bearing Cover	2	041815	041815	76	Grease Fitting	2	317815	317815
28	Bearing Cover Capscrew	12	920286	920286	76A	Grease Relief Fitting	2	701992	701992
35	Shaft Key	1	909183	909183*	77	Push Rod	3	122001*	122001*
41	Liner	1	—	182039	88	"O" Ring, Valve Cap	1	701926*	701926*
					104	Grease Seal	2	331908*	331908*
					186	Shaft Protector	1	341801	342001
						Pump Repair Kit		892021	892000

*Pump Repair Kit Components

MECHANICAL SEAL

REF. NO.	PART NAME	NO. PARTS PER PUMP	PART NO. TLGFD4	PART NO. TLGLF4
153	Mechanical Seal Complete	2	332050*	332050*
153A	Stationary Seat	2	332005	332005
153B	Seal Face	2	331867	331867
153C	Seal Jacket Assembly	2	331886	331886
153D	"O" Ring, Stationary - Buna N	2	701934	701934
153E	"O" Ring, Rotating - Buna N	2	711912	711912

MECHANICAL SEAL — MAPP Gas

REF. NO.	PART NAME	NO. PARTS PER PUMP	PART NO. TLGFD4	PART NO. TLGLF4
153	Mechanical Seal Complete - Viton	2	332054	332054
153A	Stationary Seat	2	332005	332005
153B	Seal Face	2	331867	331867
153C	Seal Jacket Assembly	2	331886	331886
153D	"O" Ring, Stationary - Viton	2	701921	701921
153E	"O" Ring, Rotating - Viton	2	701962	701962

