

Suggested Spare Parts for HD601A Compressors:

Part #	Description	Qty./Unit	Comm. Qty.	Spare Qty.
794197	Gasket Set - Buna-N	1	1	1
794196	Gasket Set - PTFE *			
794195	Gasket Set - FKM *			
794194	Gasket Set - Neoprene *			
793660	Suction Valve Repair Kit - PEEK	2		2
793630	Suction Valve Repair Kit - Stainless Steel *			
793660	Discharge Valve Repair Kit - PEEK	2		2
793650	Discharge Valve Repair Kit - Stainless Steel *			
792284	Unloader Seal *	4		4
793610	Piston Ring - Standard	6	6	6
793612	Piston Ring - Poly Filled *			
793614	Piston Ring Expander	6	6	6
794499	Packing Set	2	2	2
790003	Oil Filter *	1		6
794004	Wrist Pin	2		2
793003	Wrist Pin Bushing	2	2	2
794002	Conrod Bearing	2	2	2
The following parts would normally be required only for major compressor overhaul.				
794130	Inboard Bearing Cone	1		1
794131	Inboard Bearing Cup	1		1
793142	Outboard Bearing Cone	1		1
793126	Outboard Bearing Cup	1		1
794429	Crosshead Assembly	2		1
794009	Conrod Assembly	2		1
798856	Oil Pump Repair Kit	1		
794159	Crankshaft Assembly	1		
794033	Bearing Adjustment Shim Kit	1		
794103	Cylinder	1		
792831	TNT-12 Treated Cylinder *			

\* Optional Equipment on New Compressors

## HD601A PARTS LIST

**Discontinued Model – parts availability may be limited.**

Serial # \_\_\_\_\_

ID# \_\_\_\_\_

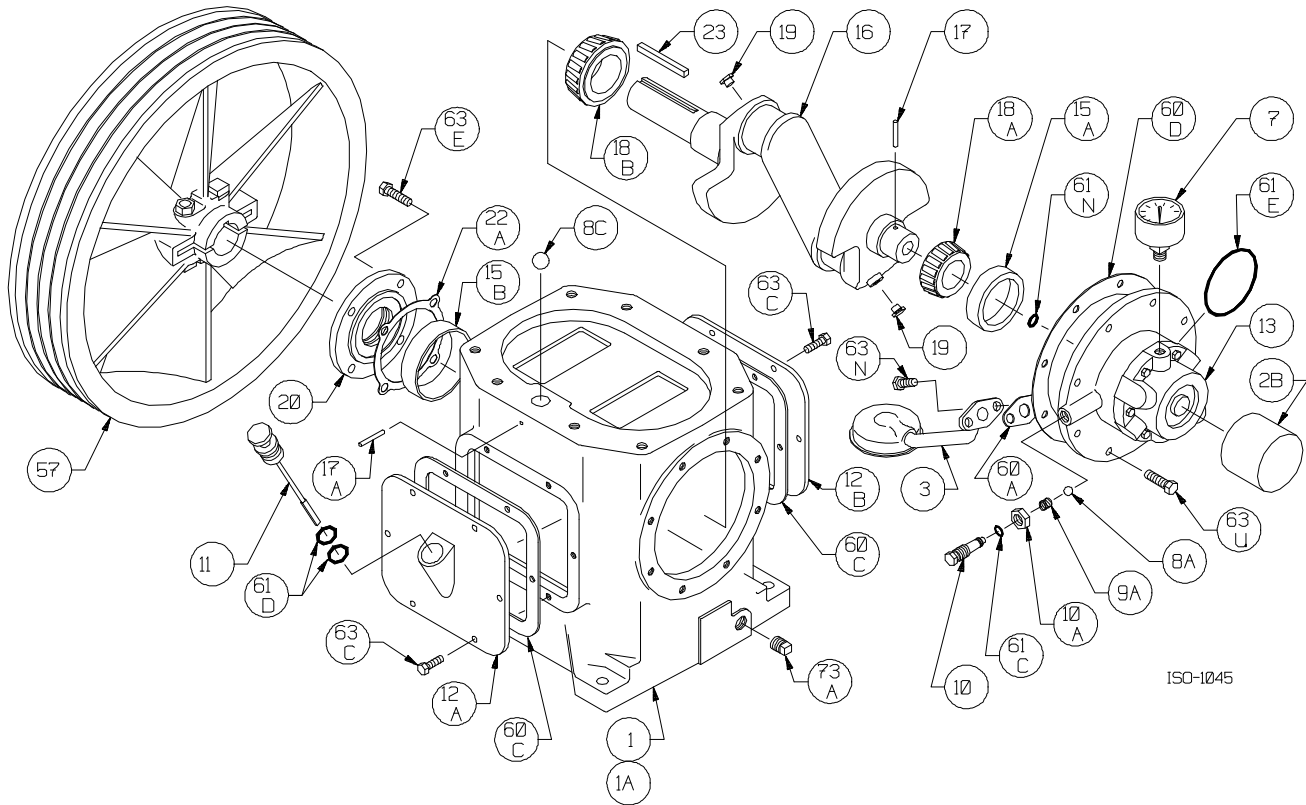
### Gasket Sets and Special Tools

Gasket Set	Buna-N & Iron	794197
	FKM & Iron	794195
	PTFE & Iron	794196
	Neoprene & Iron	794194
Packing Installation Tool		790538
Spanner Wrench, 1/4" Adjustable		790316
Wrench for Valve Holdown Screw		790535
Tool Kit		790199

### Bulletins Needed For Complete Parts List

This page	9E-130
Crankcase	9F-030
Oil Pump	9G-010
Crosshead	9J-080
Cylinder	9L-070
Head	9M-110
Head with Unloaders	9M-120

Notes:



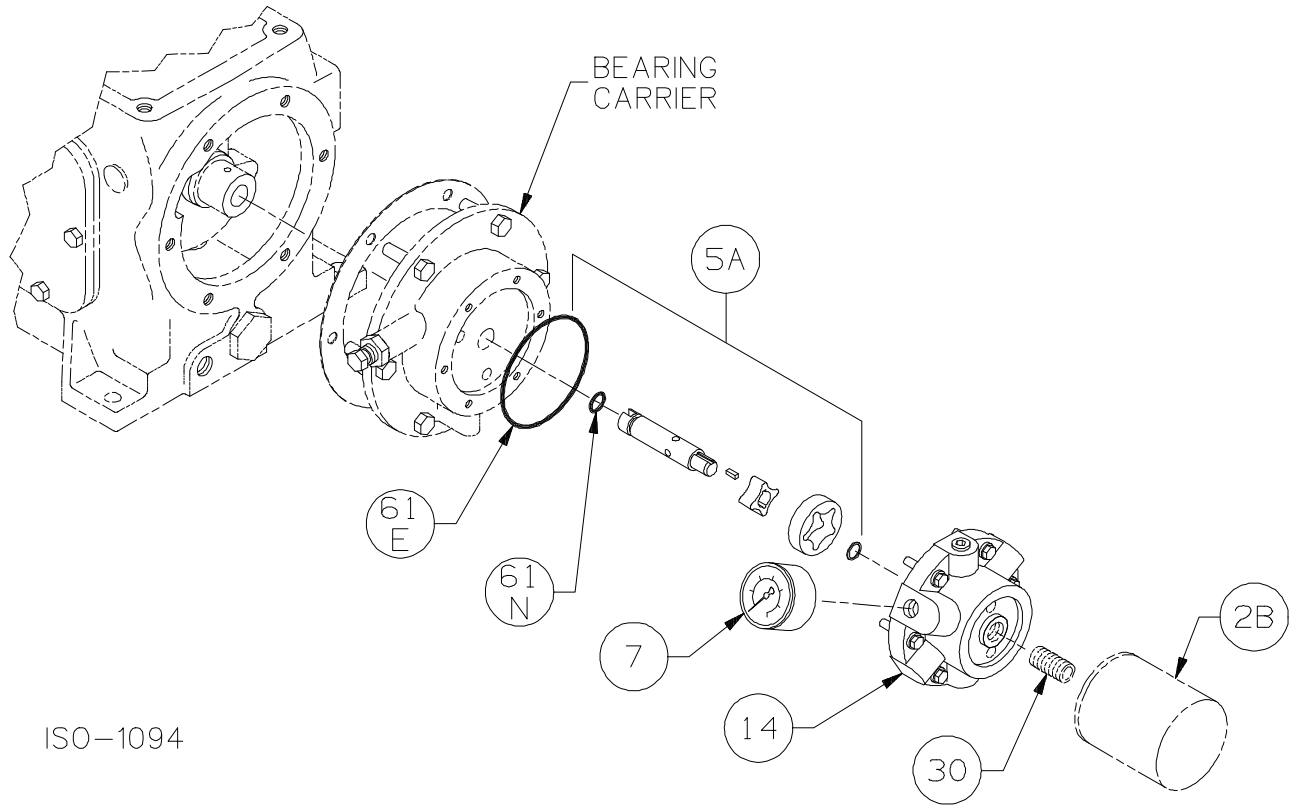
Crankcase Assembly: Models HD601A, HD602A, HD603A

ISO1045

Ref	Description	Qty	Part No
1	Crankcase Assembly (less flywheel)	1	794119
1A	Crankcase	1	794138
2B	Oil Filter	1	790003
3	Oil Strainer Assembly	1	794169
7	Oil Pressure Gauge	1	790012
8A	Oil Pressure Adjusting Ball	1	792154
8C	Breather Ball	1	794156
9A	Oil Pressure Adjusting Spring	1	792153
10	Oil Pressure Adjusting Screw	1	792148
10A	Locknut	1	792152
11	Oil Bayonet Assembly	1	794199
12A	Inspection Plate - Bayonet	1	794141
12B	Inspection Plate - Plain	1	794140
13	Bearing Carrier Assembly Bearing Carrier Assy. with Oil Filter	1	794219 794223
15A	Bearing Cup (Outboard)	1	793126
15B	Bearing Cup (Inboard)	1	794131
16	Crankshaft Assembly (w/ 18A, 18B & 19)	1	794159
17	Oil Pump Drive Pin	1	794146
18A	Bearing Cone (Outboard)	1	793142

Ref	Description	Qty	Part No
18B	Bearing Cone (Inboard)	1	794130
19	Orifice	2	792146
20	Bearing Cover Plate	1	794137
22A	Bearing Adjustment Shim Kit	1	794033
23	Key	1	794166
57	Flywheel Assembly	1	794128
60A	Gasket - Oil Strainer Assembly *	1	794123
60C	Gasket - Inspection Plate *	2	794122
60D	Gasket - Bearing Carrier Assy. *	1	794124
61C	O-Ring - Adjusting Screw *	1	792168
61D	O-Ring - Oil Bayonet *	2	794163
61E	O-Ring - Oil Pump Cover *	1	792186
61N	O-Ring - Oil Pump Shaft *	1	792174
63C	Capscrew - Hex Hd	12	793116
63E	Capscrew - Hex Hd	4	793158
63N	Capscrew - Hex Hd	2	792093
63U	Capscrew - Hex Hd	8	792093
73A	Pipe Plug	1	790024

\* Included in Gasket Sets



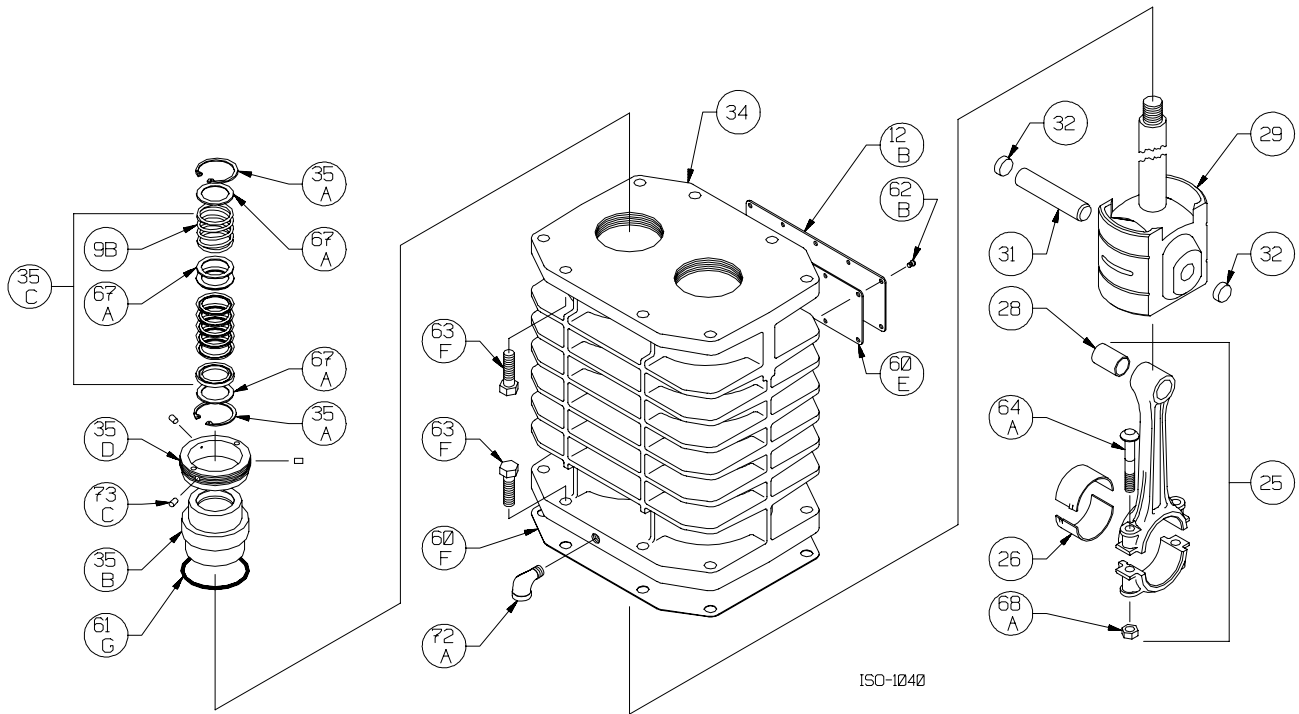
**Oil Pump Detail:**

Models HD161A, HD162A, HD172A,  
 HD361A, HD362A, HD363A, HD372A, HD373A, HDL372A,  
 HD601A, HD602A, HD603A, HD612A, HDL612A

ISO1094

Ref	Description	Qty	Part No
2B	Oil Filter	1	790003
5A	Oil Pump Kit (w/ 61E, 61N)		
	160, 170, 360 & 370 Series	1	798855
	600 & 610 Series	1	798856
7	Oil Pressure Gauge	1	790012
14	Oil Pump Cover	1	792181
	Oil Pump Cover - For Filter		790001
30	Oil Filter Fitting	1	790002
61E	O-Ring - Oil Pump Cover *	1	792186
61N	O-Ring - Oil Pump Shaft *	1	792174

\* Included in Gasket Sets



Crosshead Assembly: HD601A

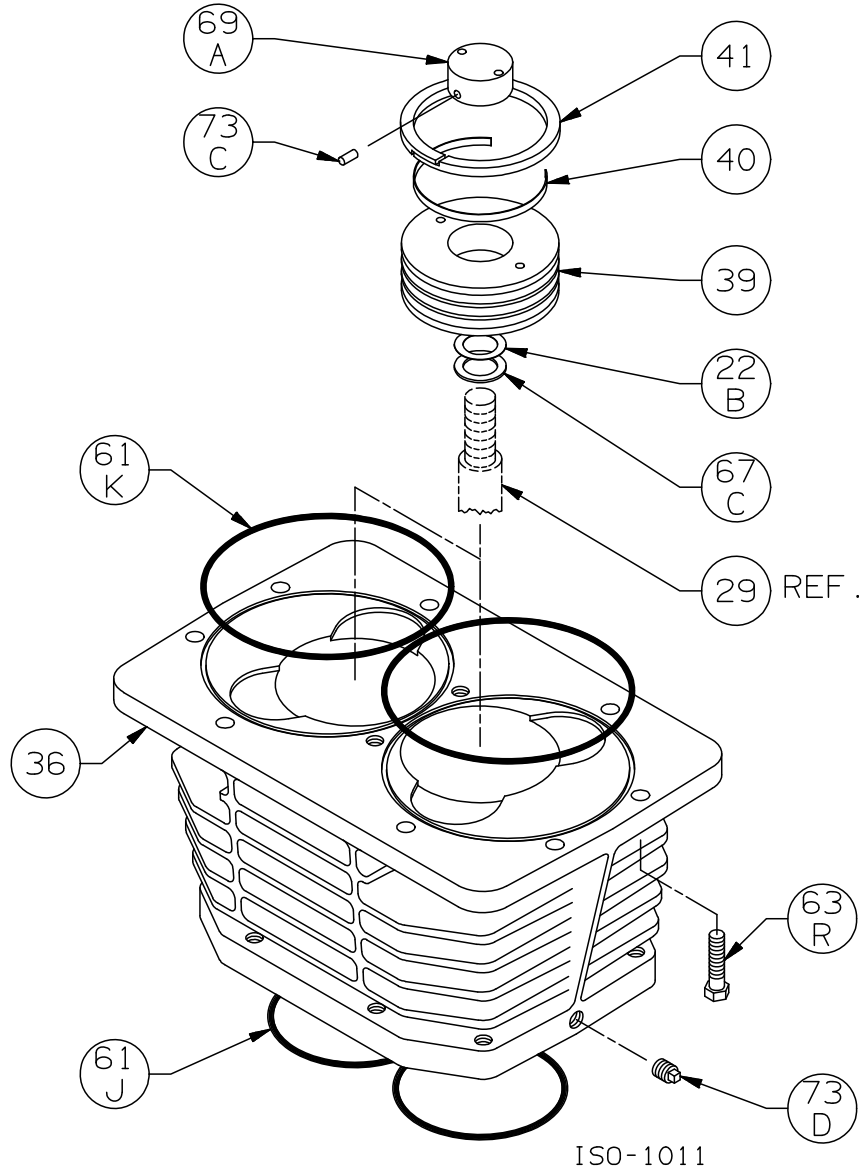
Ref	Description	Qty	Part No
9B	Packing Spring	2	794083
12B	Inspection Plate	1	794093
25	Connecting Rod Assembly	2	794009
26	Connecting Rod Bearing	2	794002
28	Wrist Pin Bushing **	2	793003
29	Crosshead Assembly	2	794429
31	Wrist Pin	2	794004
32	Wrist Pin Plug	4	792178
34	Crosshead Guide	1	794091
35A	Retainer Ring	4	794080
35B	Packing Box	2	794221
	Packing Box TNT-12		792838
35C	Packing Set	2	794499
35D	Hold-down Ring	2	794220
	Hold-down Ring TNT-12		792839

ISO1040

Ref	Description	Qty	Part No
60E	Gasket - Inspection Plate *	1	794092
60F	Gasket - Crankcase *	1	794121
61G	O-Ring (Buna-N) Std *	2	794082
	O-Ring (FKM) *		794213
	O-Ring (PTFE) *		794208
	O-Ring (Neoprene) *		794090
62B	Machine Screw - Inspection Plate	10	793096
63F	Capscrew - Hex Hd	16	794094
64A	Connecting Rod Bolt	4	794012
67A	Washer - Packing Box	6	794084
68A	Connecting Rod Bolt Nut	4	794013
72A	Elbow - Vent	1	790453
73C	Lock Plug *	6	794028

\*Included in Gasket Sets

\*\* Must be honed after installing



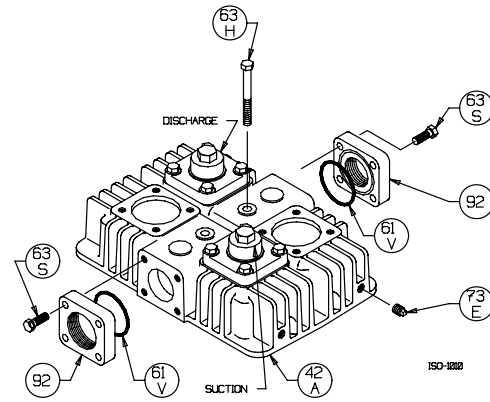
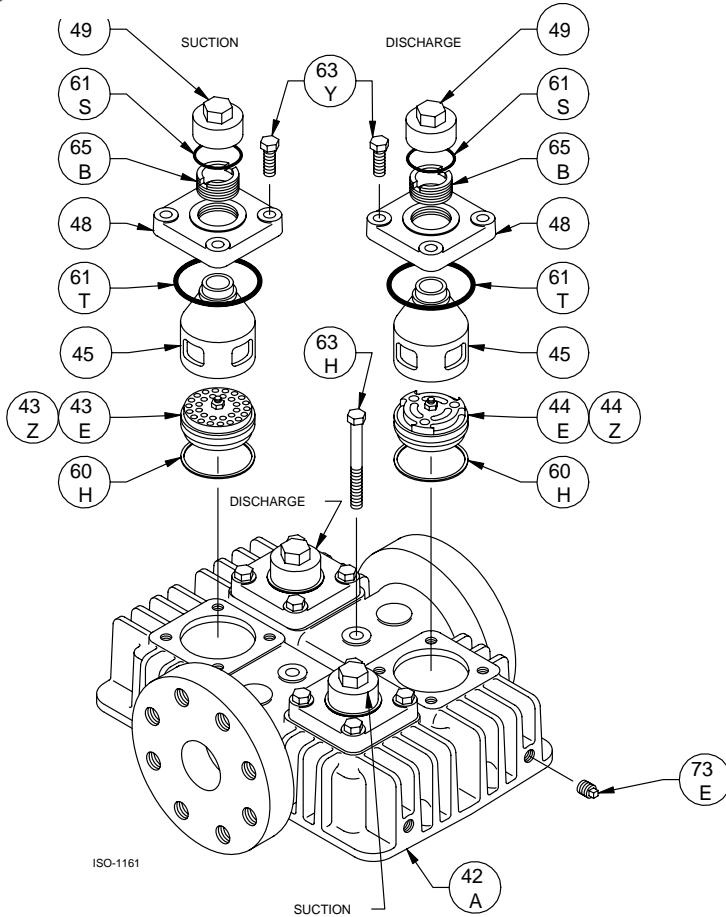
Cylinder Assembly: HD601B|A, HD602C|B|A, HD603C|B|A

ISO1011

Ref	Description	Qty	Part No
22B	Piston Shim - 0.015"	AR	794434
	Piston Shim - 0.007"	AR	794436
36	Cylinder	1	794103
	Cylinder TNT-12		792831
39	Piston	2	794431
	Piston TNT-12		792833
40	Expander	6	793614
41	Piston Ring - Glass/Moly Filled, Std	6	793610
	Piston Ring - Poly Filled		793612
61J	O-Ring (Buna N) Std *	2	794126
	O-Ring (FKM) *		794214
	O-Ring (PTFE) *		794125
	O-Ring (Neoprene) *		794142
	O-Ring (Ethylene Propylene) *		794110

Ref	Description	Qty	Part No
61K	O-Ring (Buna N) Std *	2	794104
	O-Ring (FKM) *		794106
	O-Ring (PTFE) *		794105
	O-Ring (Neoprene) *		794108
	O-Ring (Ethylene Propylene) *		794210
63R	Capscrew - Hex Hd	8	794097
67C	Thrust Washer	2	794433
69A	Piston Nut	2	794422
	Piston Nut TNT-12		792834
73C	Lock Plug *	4	794222
73D	Pipe Plug	1	793498

\* Included in Gasket Sets



Head Style used on units built prior to July 2001. Replaced by the ANSI flanged head shown.

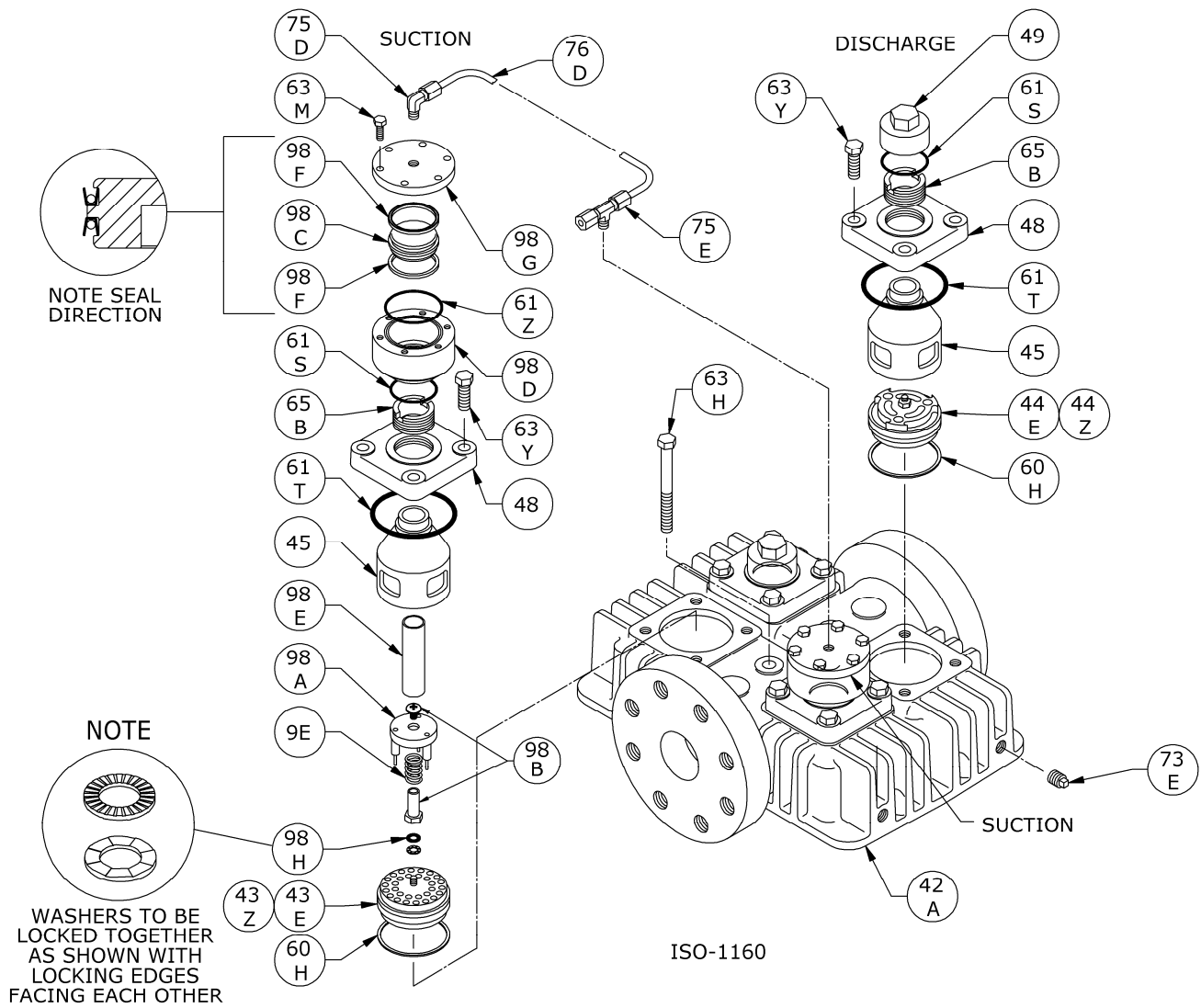
Head Assembly: HD601B|A, HD602C|B|A, HD603C|B|A

Ref	Description	Qty	Part No
42A	Head (ANSI Flanges)	1	794100
	Head TNT-12 (ANSI Flanges)		792893
	Head (4-bolt flange style)		794102
	Head TNT-12 (4-bolt flange style)		792832
43E	Suction Valve Assembly	2	793659
	Suction Valve Assembly TNT-12		792872
	Suction Valve Assembly, Stainless Steel		793629
43Z	Valve Repair Kit - For 793659/793679		793660
	Valve Repair Kit - For 793629		793630
44E	Discharge Valve Assembly	2	793679
	Discharge Valve Assembly TNT-12		792873
	Discharge Valve Assy, Stainless Steel		793649
44Z	Valve Repair Kit - For 793659/793679		793660
	Valve Repair Kit - For 793649		793650
45	Cage	4	794620
	Cage TNT-12		792835
48	Valve Cover Plate	4	794284
	Valve Cover Plate TNT-12		792817
49	Valve Cap	4	792003
	Valve Cap TNT-12		792804
60H	Gasket - Valve *	4	794198
61S	O-Ring (Buna-N) Std *	4	792306
	O-Ring (FKM) *		792308
	O-Ring (PTFE) *		792307
	O-Ring (Neoprene) *		792309
	O-Ring (Ethylene Propylene) *		792310

ISO1161

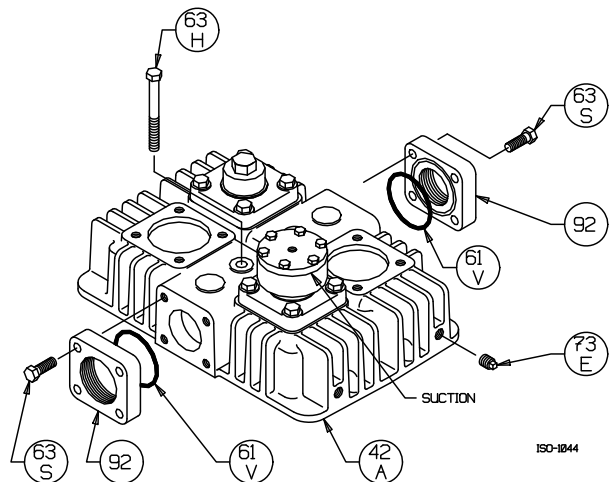
Ref	Description	Qty	Part No
61T	O-Ring (Buna-N) Std *	4	792112
	O-Ring (FKM) *		792213
	O-Ring (PTFE) *		792210
	O-Ring (Neoprene) *		792110
	O-Ring (Ethylene Propylene) *		792206
61V	O-Ring (Buna-N) Std *	2	792412
	O-Ring (FKM) *		792413
	O-Ring (PTFE) *		792414
	O-Ring (Neoprene) *		792410
	O-Ring (Ethylene Propylene) *		792411
63H	Capscrew - Hex Hd	2	794115
63S	Capscrew - Hex Hd	8	794096
63Y	Capscrew - Hex Hd	16	793094
65B	Valve Holddown Screw	4	792002
	Valve Holddown Screw TNT-12		792806
73E	Pipe Plug	2	793498
92	Flange-Inlet (2 NPT) Std	1	794117
	Flange-Inlet (2 NPT) TNT-12		792837
	Flange-Outlet (1.5 NPT) Std	1	794116
	Flange-Outlet (1.5 NPT) TNT-12		792836
	Flange (1.25 NPT)		794118
	Flange (1.25 NPT) TNT-12		792866

\* Included in Gasket Sets



**Head Assembly with Unloaders:**  
HD601B|A, HD602C|B|A, HD603C|B|A

Head Style used on units built prior to July 2001. Replaced by the ANSI flanged head shown above.





Head Assembly with Unloaders: HD601B|A, HD602C|B|A, HD603C|B|A

ISO1160

Ref	Description	Qty	Part No
9E	Unloader Spring	2	793293
42A	Head (ANSI Flanges)	1	794100
	Head TNT-12 (ANSI Flanges)		792893
	Head (4-bolt flange style)		794102
	Head TNT-12 (4-bolt flange style)		792832
43E	Suction Valve Assembly	2	793659
	Suction Valve Assembly TNT-12		792872
	Suction Valve Assy, Stainless Steel		793629
43Z	Valve Repair Kit - For 793659/793679		793660
	Valve Repair Kit - For 793629		793630
44E	Discharge Valve Assembly	2	793679
	Discharge Valve Assembly TNT-12		792873
	Discharge Valve Assy, Stainless Steel		793649
44Z	Valve Repair Kit - For 793659/793679		793660
	Valve Repair Kit - For 793649		793650
45	Cage	4	794620
	Cage TNT-12		792835
48	Valve Cover Plate	4	794284
	Valve Cover Plate TNT-12		792817
49	Valve Cap	2	792003
	Valve Cap TNT-12		792804
60H	Gasket - Valve *	4	794198
61S	O-Ring (Buna-N) Std *	4	792306
	O-Ring (FKM) *		792308
	O-Ring (PTFE) *		792307
	O-Ring (Neoprene) *		792309
	O-Ring (Ethylene Propylene) *		792310
61T	O-Ring (Buna-N) Std *	4	792112
	O-Ring (FKM) *		792213
	O-Ring (PTFE) *		792210
	O-Ring (Neoprene) *		792110
	O-Ring (Ethylene Propylene) *		792206

Ref	Description	Qty	Part No
61V	O-Ring (Buna-N) Std *	2	792412
	O-Ring (FKM) *		792413
	O-Ring (PTFE) *		792414
	O-Ring (Neoprene) *		792410
	O-Ring (Ethylene Propylene) *		792411
61Z	O-Ring (Buna-N) Std *	2	792311
	O-Ring (FKM) *		792313
	O-Ring (PTFE) *		792312
	O-Ring (Neoprene) *		792314
	O-Ring (Ethylene Propylene) *		792320
63H	Capscrew - Hex Hd	2	794115
63M	Capscrew - Hex Hd	12	790053
63S	Capscrew - Hex Hd	8	794096
63Y	Capscrew - Hex Hd	16	793094
65B	Valve Holddown Screw	4	792002
	Valve Holddown Screw TNT-12		792806
73E	Pipe Plug	2	793498
75D	Tube Elbow	1	790355
75E	Tube Tee	1	790356
76D	Tube	1	790192
92	Flange-Inlet (2 NPT) Std	1	794117
	Flange-Inlet (2 NPT) TNT-12		792837
	Flange-Outlet (1.5 NPT) Std		794116
	Flange-Outlet (1.5 NPT) TNT-12		792836
	Flange (1.25 NPT)		794118
	Flange (1.25 NPT) TNT-12	792866	
98A	Actuator Assembly	2	794296
	Actuator Assembly, for SS Valve		794298
98B	Unloader Post w/bolt <sup>1</sup>	2	793291
	Unloader Post w/bolt <sup>1</sup> , for SS Valve		794291
98C	Unloader Piston	2	793288
98D	Unloader Body	2	793286
98E	Unloader Plunger	2	794290
98F	Unloader Seal	4	792284
98G	Unloader Cap	2	793287
98H	Lockwasher (2 piece)	2	793473

\* Included in Gasket Sets

<sup>1</sup> Unloader Post with bolt replaces earlier style unloader post with retainer ring.

