

HDL942A PARTS LIST

Discontinued Model – parts availability may be limited.

Serial # _____

ID# _____

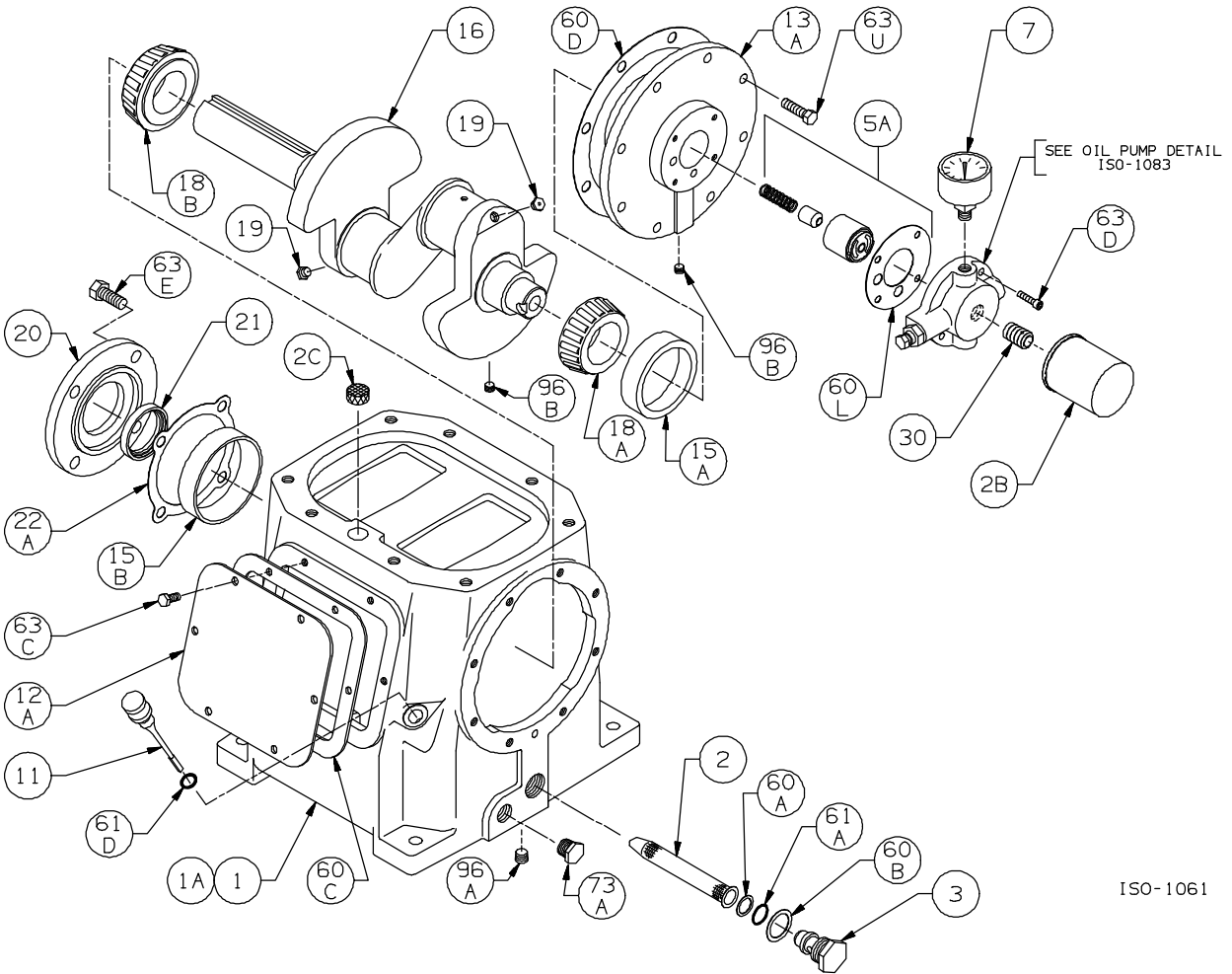
Gasket Sets and Special Tools

Gasket Set	Buna-N & Iron	794796
	PTFE & Iron	794797
	FKM & Iron	794798
	Neoprene & Iron	794799
	Ethylene Propylene & Iron	794790
Packing Installation Tool		790540
Spanner Wrench, 1/4" Adjustable		790316
Wrench for Valve Holdown Screw		790535
Packing Installation Tool		790540

Bulletins Needed For Complete Parts List

This page	9E-240
Crankcase	9F-050
Oil Pump	9G-011
Flywheel	9H-050
Crosshead	9J-120
Packing	9K-060
Cylinder	9L-130
Cylinder with Unloaders	9L-140

Notes:



ISO-1061

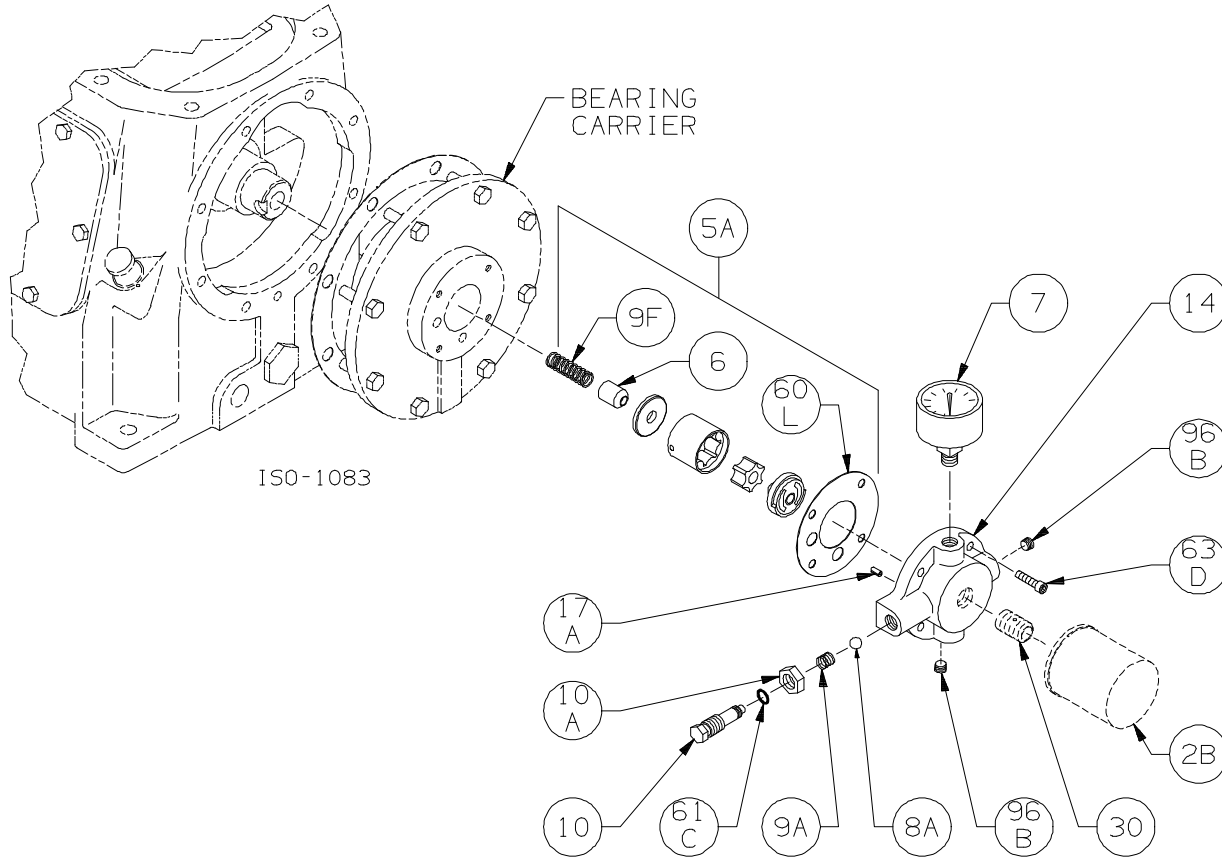
Crankcase Assembly: Models HD942A, HDL942A

ISO1056

Ref	Description	Qty	Part No
1	Crankcase Assembly - w\ Oil Filter	1	794758
1A	Crankcase	1	794709
2	Oil Intake Screen	1	792135
2B	Oil Filter	1	794726
2C	Breather Filter	1	794752
3	Oil Screen Plug	1	792145
5A	Oil Pump Kit	1	794760
7	Oil Pressure Gauge	1	790012
11	Oil Bayonet Assembly	1	792162
12A	Inspection Plate	1	794140
13A	Bearing Carrier	1	794714
15A	Bearing Cup (Outboard)	1	794131
15B	Bearing Cup (Inboard)	1	794731
16	Crankshaft Assembly (w\ 18A,18B,19,96B)	1	794708
18A	Bearing Cone (Outboard)	1	794130
18B	Bearing Cone (Inboard)	1	794730
19	Orifice	2	792146
20	Bearing Cover Plate	1	794716

Ref	Description	Qty	Part No
21	Oil Seal	1	794732
22A	Bearing Adjustment Shim Kit	1	794733
30	Oil Filter Fitting	1	794725
60A	Gasket - Oil Screen *	1	792136
60B	Gasket - Oil Screen Plug *	1	792123
60C	Gasket - Inspection Plate *	1	794122
60D	Gasket - Bearing Carrier Assembly *	1	794720
60L	Gasket - Oil Pump Cover *	1	794721
61A	O-Ring - Oil Screen *	1	792175
61D	O-Ring - Oil Bayonet *	1	792174
63C	Capscrew - Hex Hd	6	793116
63D	Capscrew - Soc Hd	4	790559
63E	Capscrew - Hex Hd	4	790484
63U	Capscrew - Hex Hd	8	792093
73A	Pipe Plug	1	790024
96A	Pipe Plug	1	790488
96B	Pipe Plug	2	790309

* Included in Gasket Sets



ISO-1083

Oil Pump Detail for Models:

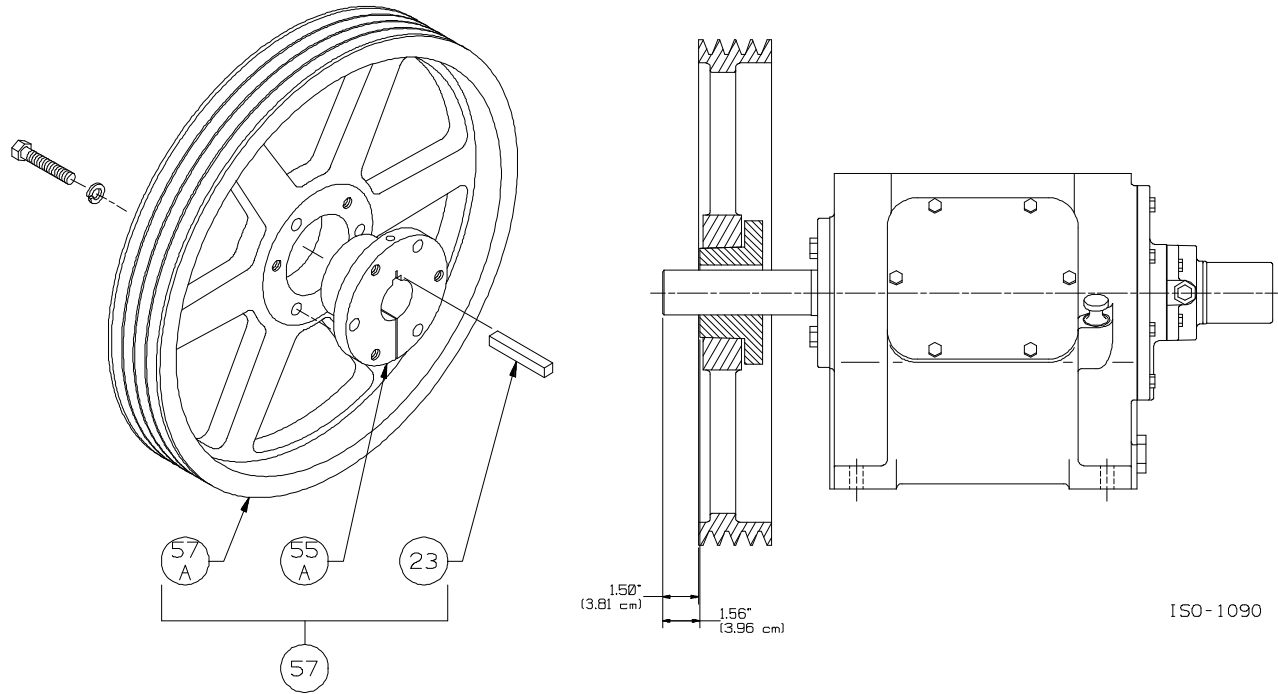
HD161C, HD161B, HD162C, HD162B, HD163C, HD163B,
 HD172C, HD172B, HD173C, HD173B,
 HDL341B, HDL342B, HDL343B, HDL341C, HDL342C, HDL343C,
 HD361C, HD361B, HD362C, HD362B, HD363C, HD363B
 HDL361B, HDL362B, HDL363B, HDL361C, HDL362C, HDL363C,
 HD372C, HD372B, HDL372C, HDL372B, HD373C, HD373B, HDL373C, HDL373B,
 HD601B, HD602B, HD603B, HDL601B, HDL602B, HDL603B,
 HD612B, HDL612B, HD613B, HDL613B,
 HD942A and HDL942A

ISO1083

Ref	Description	Qty	Part No
2B	Oil Filter	1	794726
5A	Oil Pump Kit (w/ 6, 9F, 60L)		794760
6	Oil Pump Cone	1	794750
7	Oil Pressure Gauge	1	790012
8A	Oil Pressure Adj. Ball	1	792154
9A	Oil Pressure Adj. Spring	1	792153
9F	Oil Pump Spring	1	794751
10	Oil Pressure Adj. Screw	1	792148
10A	Locknut	1	792152

Ref	Description	Qty	Part No
14	Oil Pump Cover Assembly - For Filter	1	794764
	with 17A, 96B		
	Oil Pump Cover Assembly - w\ 17A, 96B		794763
17A	Roll Pin	1	794753
30	Oil Filter Fitting	1	794725
60L	Gasket - Oil Pump Cover *	1	794721
61C	O-Ring - Adjusting Screw *	1	792168
63D	Capscrew - Soc. Hd	4	790559
96B	Pipe Plug	2	790309

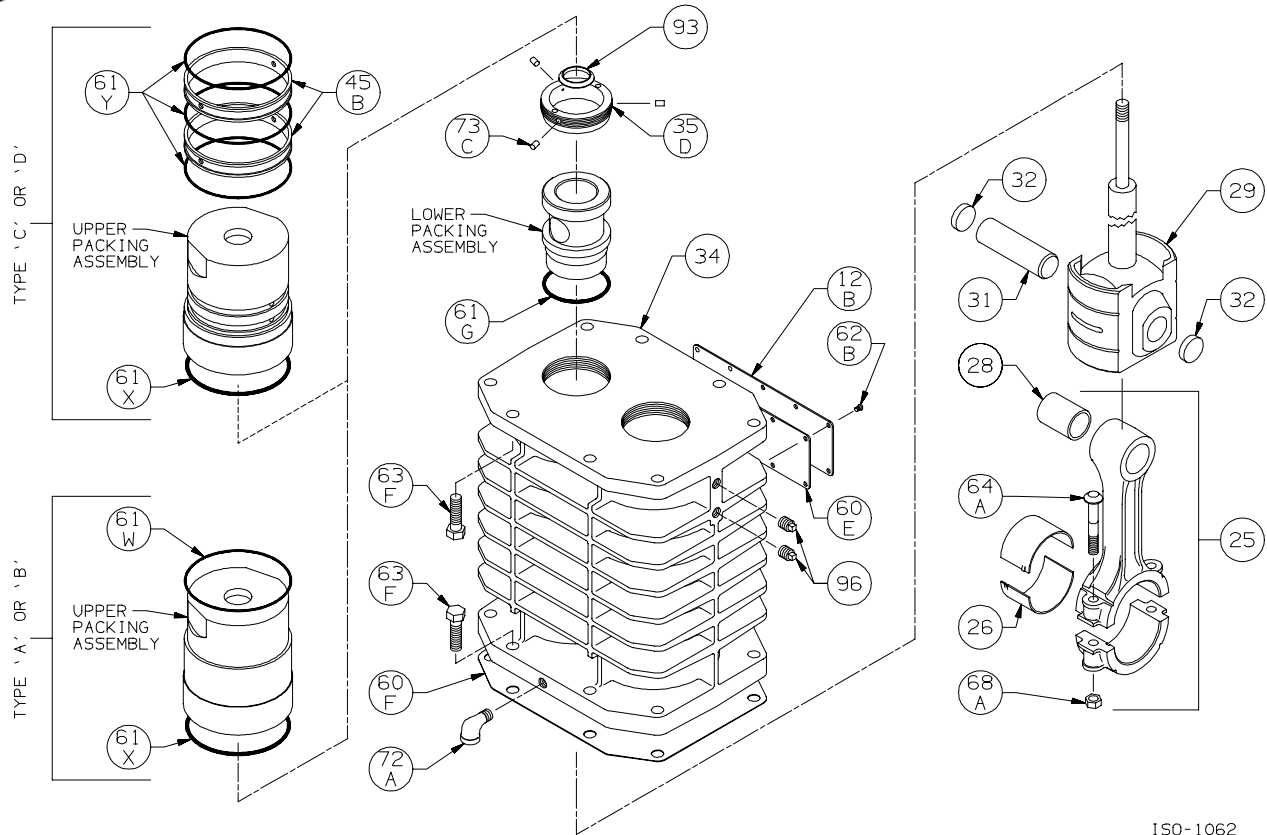
* Included in Gasket Sets



Flywheel Assembly:
HD942A, HDL942A

ISO1090

Ref	Description	Qty	Part No
23	Key	1	794267
55A	Hub	1	790505
57	Flywheel Assembly	1	794755
57A	Flywheel	1	790539



ISO-1062

Crosshead Assembly: HD942A, HDL942A

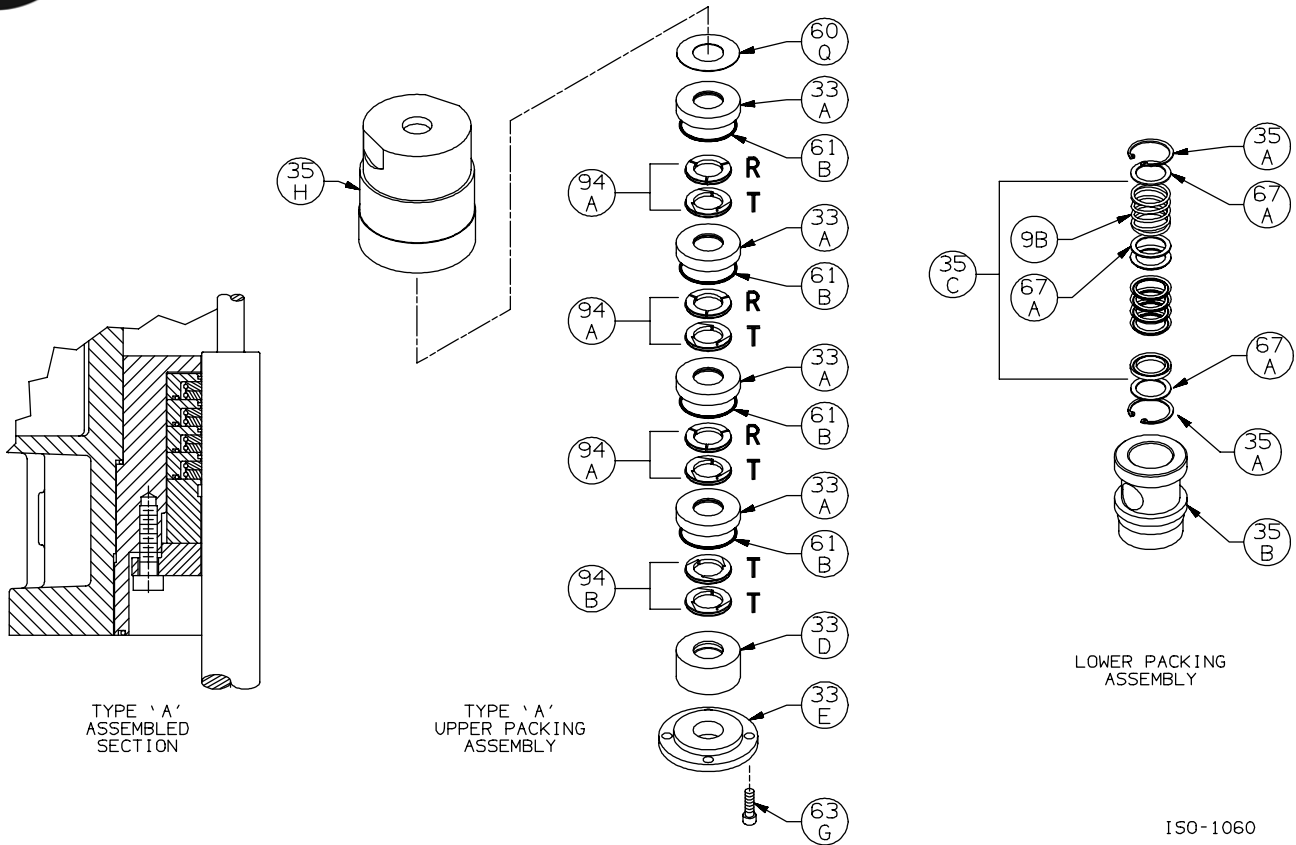
ISO1062

Ref	Description	Qty	Part No
12B	Inspection Plate	1	794093
25	Connecting Rod Assembly	2	794728
26	Connecting Rod Bearing	2	794710
28	Wrist Pin Bushing **	2	794749
29	Crosshead Assembly	2	794723
31	Wrist Pin	2	794727
32	Wrist Pin Plug	4	794724
34	Crosshead Guide	1	794430
35D	Hold-down Ring	2	794220
	Hold-down Ring TNT-12		792839
45B	Vent Cage	4	794744
	Vent Cage TNT-12		792869
60E	Gasket - Inspection Plate *	1	794092
60F	Gasket - Crankcase *	1	794121
61G	O-Ring (Buna-N) Std *	2	794082
	O-Ring (FKM) *		794213
	O-Ring (PTFE) *		794208
	O-Ring (Neoprene) *		794090
	O-Ring (Ethylene Propylene) *		794206

Ref	Description	Qty	Part No
61W	O-Ring (Buna-N) Std *	2	792315
	O-Ring (FKM) *		792316
	O-Ring (PTFE) *		792317
	O-Ring (Neoprene) *		792318
	O-Ring (Ethylene Propylene) *		792319
61X	O-Ring (Buna-N) Std *	2	792252
	O-Ring (FKM) *		792253
	O-Ring (PTFE) *		792254
	O-Ring (Neoprene) *		792255
	O-Ring (Ethylene Propylene) *		792256
61Y	O-Ring (Buna-N) Std *	6	792315
	O-Ring (FKM) *		792316
	O-Ring (PTFE) *		792317
	O-Ring (Neoprene) *		792318
	O-Ring (Ethylene Propylene) *		792319
62B	Machine Screw - Inspection Plate	10	793096
63F	Capscrew - Hex Hd	16	794094
64A	Connecting Rod Bolt	4	794012
68A	Connecting Rod Bolt Nut	4	794013
72A	Elbow - Vent	1	790453
73C	Lock Plug *	6	794028
93	Oil Deflector Ring	2	794478
96	Pipe Plug	4	793498

*Included in Gasket Sets

** Must be honed after installing



ISO-1060

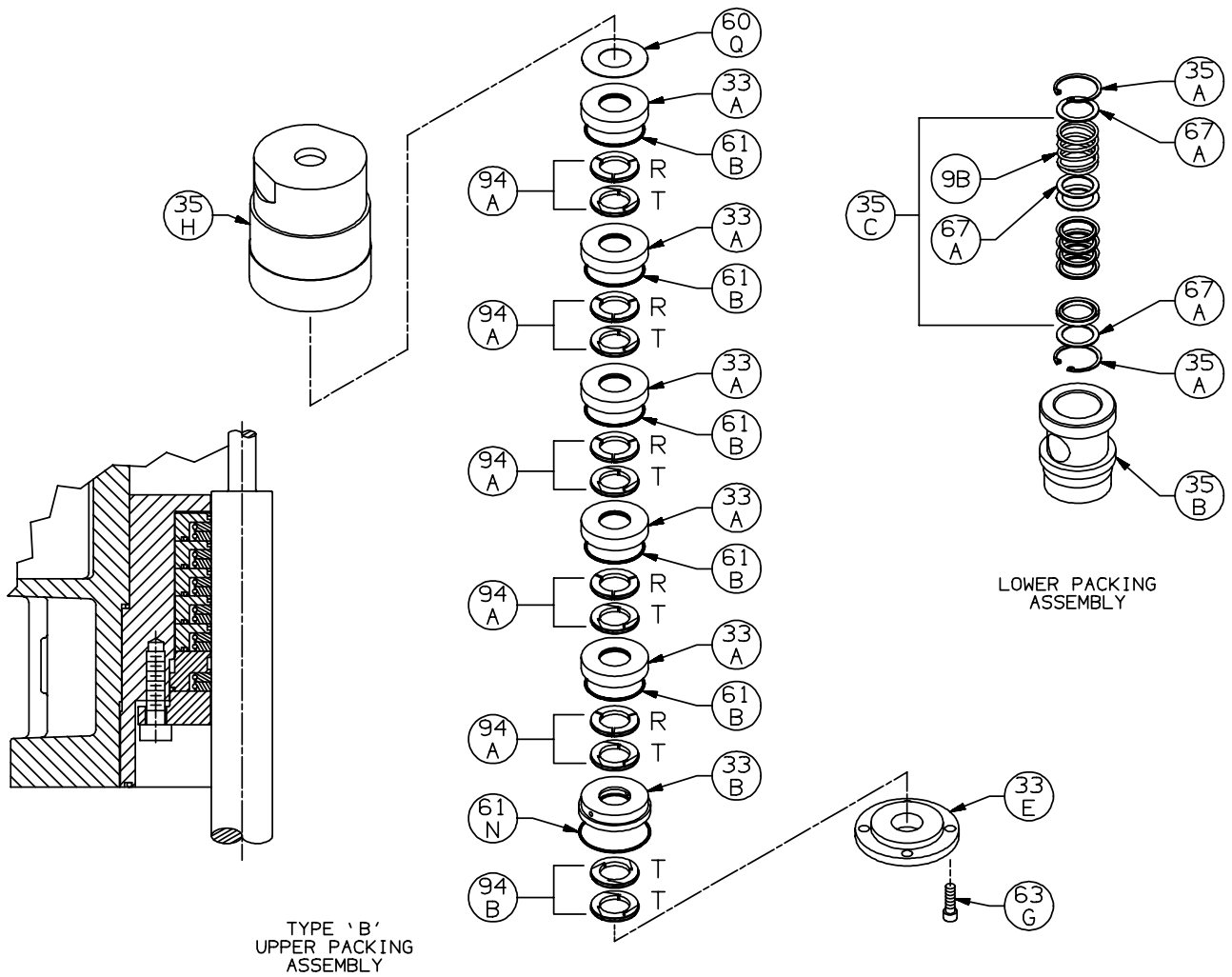
Packing Detail - Type 'A': HD942A, HDL942A

ISO1060

Ref	Description	Qty	Part No
9B	Packing Spring	2	794083
33A	Packing Cup	8	794741
	Packing Cup TNT-12		792862
33D	Packing Spacer	2	794745
	Packing Spacer TNT-12		792868
33E	Packing Gland	2	794740
	Packing Gland TNT-12		792861
35A	Retainer Ring	4	794080
35B	Packing Box - Lower	2	794739
	Packing Box - Lower TNT-12		792860
35C	Packing Set	2	794499

*Included in Gasket Sets

Ref	Description	Qty	Part No
35H	Packing Box - Upper	2	794738
	Packing Box - Upper TNT-12		792859
60Q	Gasket - Packing Cup *	2	794754
61B	O-Ring (Buna-N) Std *	8	792260
	O-Ring (FKM) *		792261
	O-Ring (PTFE) *		792262
	O-Ring (Neoprene) *		792263
	O-Ring (Ethylene Propylene) *		792264
63G	Capscrew - Socket Hd	8	790483
67A	Washer - Packing Box	6	794084
94A	Packing Ring - R/T	6	794746
94B	Packing Ring - T/T	2	794747



Packing Assembly, Type 'B': HD942A, HDL942A

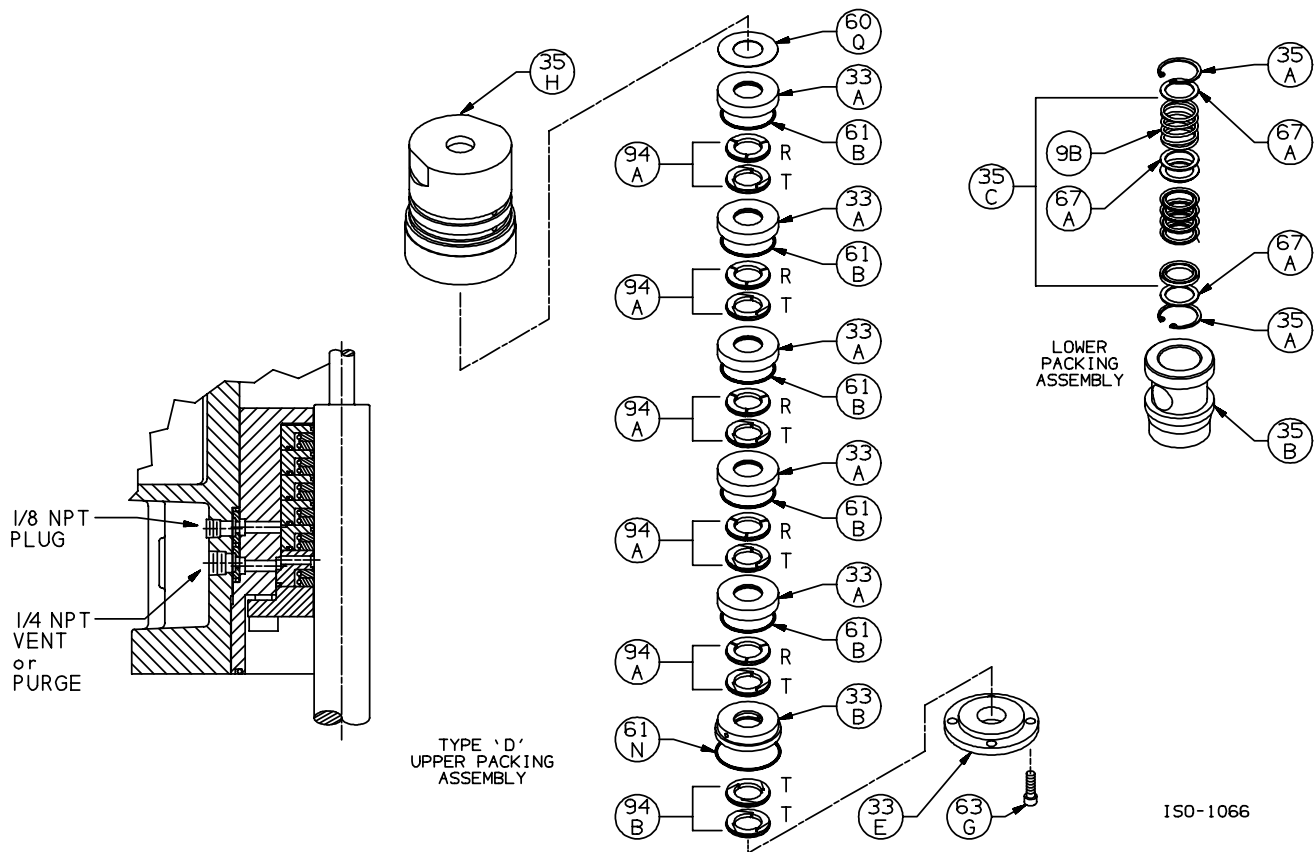
ISO1063

Ref	Description	Qty	Part No
9B	Packing Spring	2	794083
33A	Packing Cup Packing Cup TNT-12	10	794741 792862
33B	Packing Cup Packing Cup TNT-12	2	794742 792863
33E	Packing Gland Packing Gland TNT-12	2	794740 792861
35A	Retainer Ring	4	794080
35B	Packing Box - Lower Packing Box - Lower TNT-12	2	794739 792860
35C	Packing Set	2	794499
35H	Packing Box - Upper Packing Box - Upper TNT-12	2	794738 792859
60Q	Gasket - Packing Cup *	2	794754

Ref	Description	Qty	Part No
61B	O-Ring (Buna-N) Std * O-Ring (FKM) * O-Ring (PTFE) * O-Ring (Neoprene) * O-Ring (Ethylene Propylene) *	10	792260 792261 792262 792263 792264
61N	O-Ring (Buna-N) Std * O-Ring (FKM) * O-Ring (PTFE) * O-Ring (Neoprene) * O-Ring (Ethylene Propylene) *	2	792224 792225 792226 792227 792233
63G	Capscrew - Socket Hd	8	790483
67A	Washer - Packing Box	6	794084
94A	Packing Ring - R/T	10	794746
94B	Packing Ring - T/T	2	794747

*Included in Gasket Sets





ISO-1066

Packing Assembly, Type 'D': HD942A, HDL942A

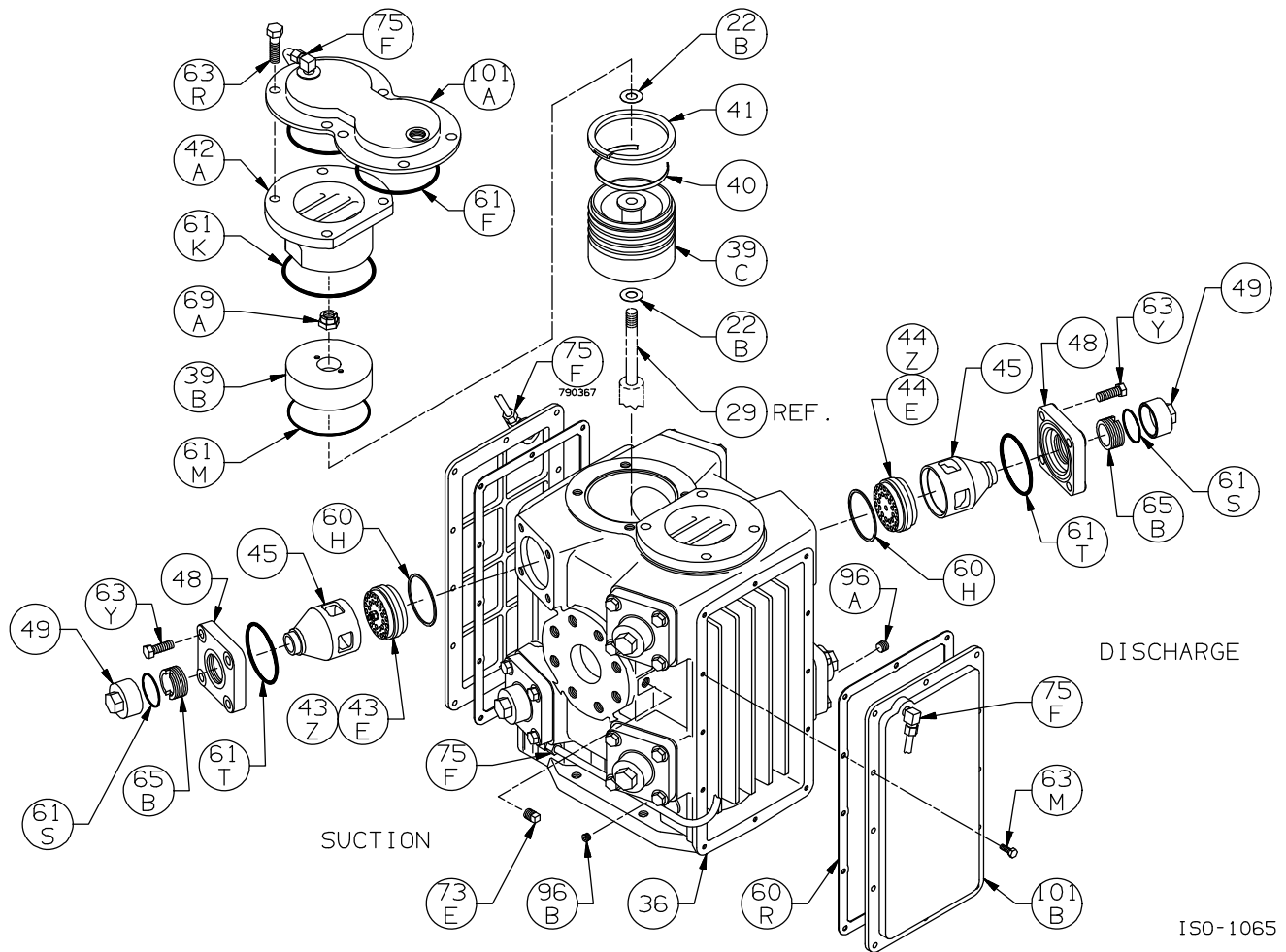
ISO1066

Ref	Description	Qty	Part No
9B	Packing Spring	2	794083
33A	Packing Cup Packing Cup TNT-12	10	794741 792862
33B	Packing Cup - Vent Packing Cup - Vent TNT-12	2	794742 792863
33E	Packing Gland Packing Gland TNT-12	2	794740 792861
35A	Retainer Ring	4	794080
35B	Packing Box - Lower Packing Box - Lower TNT-12	2	794739 792860
35C	Packing Set	2	794499
35H	Packing Box - Upper Packing Box - Upper TNT-12	2	794737 792858
60Q	Gasket - Packing Cup *	2	794754

Ref	Description	Qty	Part No
61B	O-Ring (Buna-N) Std * O-Ring (FKM) * O-Ring (PTFE) * O-Ring (Neoprene) * O-Ring (Ethylene Propylene) *	10	792260 792261 792262 792263 792264
61N	O-Ring (Buna-N) Std * O-Ring (FKM) * O-Ring (PTFE) * O-Ring (Neoprene) * O-Ring (Ethylene Propylene) *	2	792224 792225 792226 792227 792233
63G	Capscrew - Socket Hd	8	790483
67A	Washer - Packing Box	6	794084
94A	Packing Ring - R/T	10	794746
94B	Packing Ring - T/T	2	794747

*Included in Gasket Sets





ISO-1065

Cylinder Assembly: HDL942B, HDL942A

OVER.....

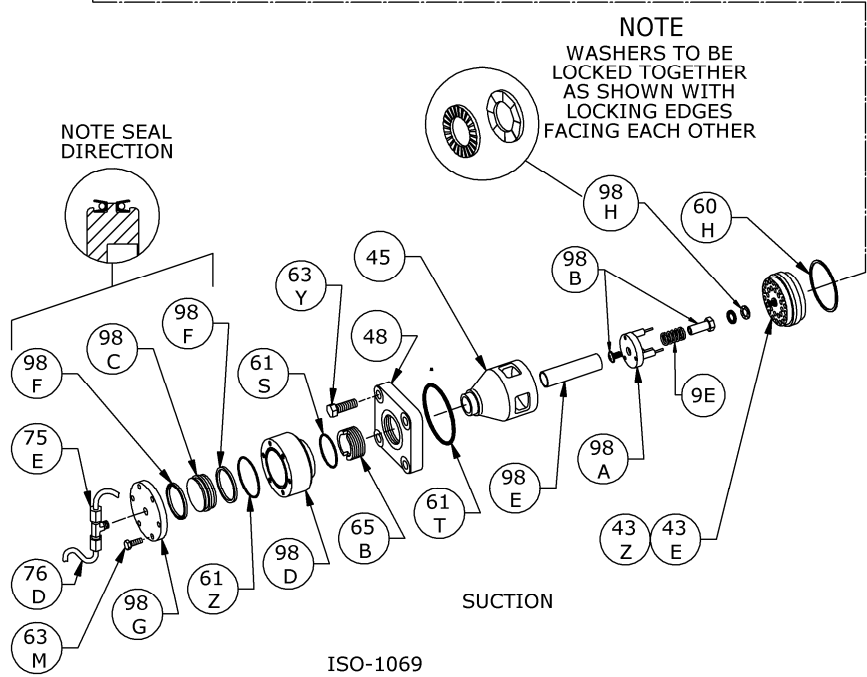
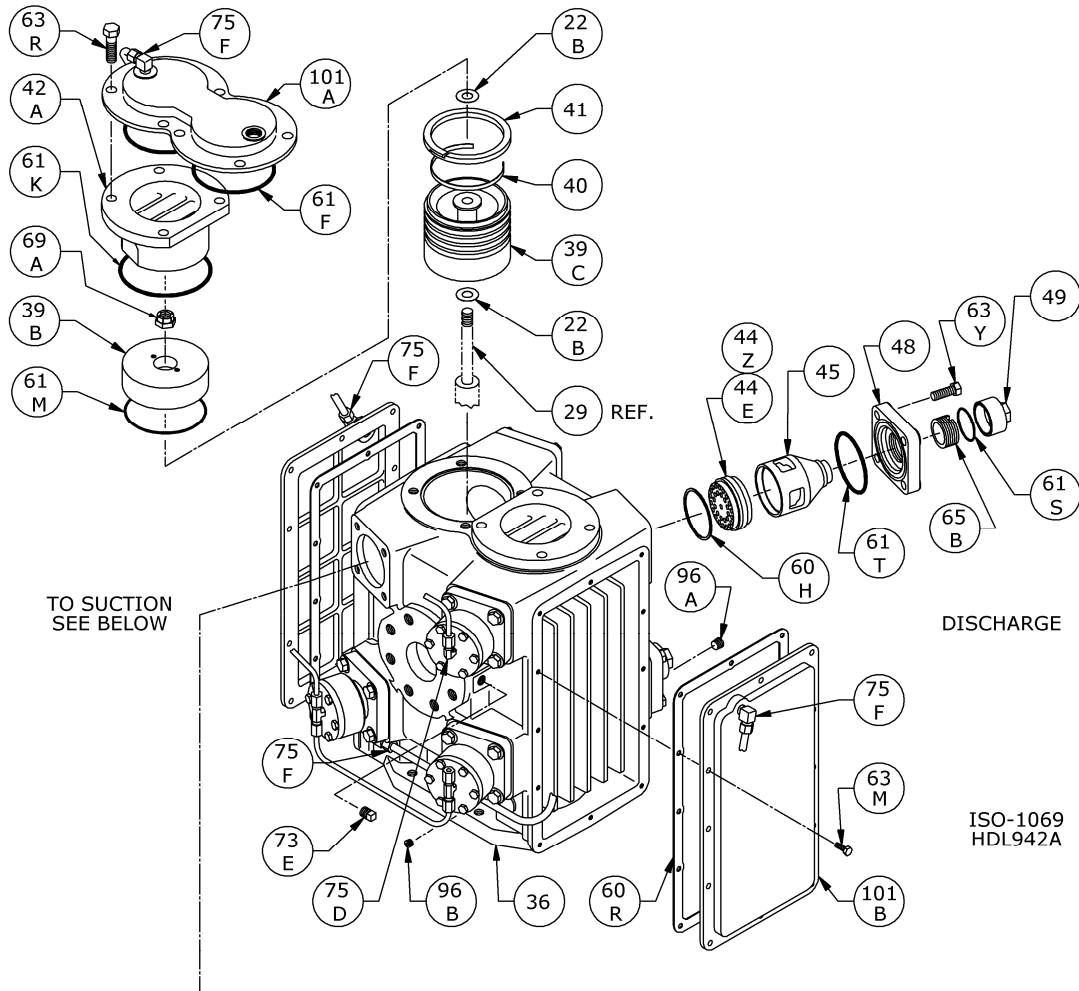
Cylinder Assembly: HDL942B, HDL942A

ISO1065

Ref	Description	Qty	Part No
22B	Piston Shim - 0.015	AR	794762
	Piston Shim - 0.007	AR	794761
36	Cylinder	1	794703
	Cylinder TNT-12		792865
39B	Piston Cap	2	794719
	Piston Cap TNT-12		792853
39C	Piston	2	794718
	Piston TNT-12		792854
40	Expander	8	793614
41	Piston Ring – Glass/Moly Filled, Std	8	793610
	Piston Ring - Poly Filled		793612
42A	Head	2	794702
	Head TNT-12		792856
43E	Suction Valve Assembly	4	793659
	Suction Valve Assembly TNT-12		792872
	Suction Valve Assy, Stainless Steel		793629
43Z	Valve Repair Kit - For 793659/793679		793660
	Valve Repair Kit - For 793629		793630
44E	Discharge Valve Assembly	4	793679
	Discharge Valve Assembly TNT-12		792873
	Discharge Valve Assy, Stainless Steel		793649
44Z	Valve Repair Kit - For 793659/793679		793660
	Valve Repair Kit - For 793649		793650
45	Cage	8	794620
	Cage TNT-12		792835
48	Valve Cover Plate	8	794284
	Valve Cover Plate TNT-12		792817
49	Valve Cap	8	792003
	Valve Cap TNT-12		792804
60H	Gasket - Valve *	8	794198
60R	Gasket - Cover *	2	794722
61F	O-Ring (Buna-N) *	2	793177

* Included in Gasket Sets

Ref	Description	Qty	Part No
61K	O-Ring (Buna-N) Std *	2	792315
	O-Ring (FKM) *		792316
	O-Ring (PTFE) *		792317
	O-Ring (Neoprene) *		792318
	O-Ring (Ethylene Propylene) *		792319
61M	O-Ring (Buna-N) Std *	2	792060
	O-Ring (FKM) *		792061
	O-Ring (PTFE) *		792062
	O-Ring (Neoprene) *		792063
	O-Ring (Ethylene Propylene) *		792075
61S	O-Ring (Buna-N) Std *	8	792306
	O-Ring (FKM) *		792308
	O-Ring (PTFE) *		792307
	O-Ring (Neoprene) *		792309
	O-Ring (Ethylene Propylene) *		792310
61T	O-Ring (Buna-N) Std *	8	792112
	O-Ring (FKM) *		792213
	O-Ring (PTFE) *		792210
	O-Ring (Neoprene) *		792110
	O-Ring (Ethylene Propylene) *		792206
63M	Capscrew - Hex Hd	24	790053
63R	Capscrew - Hex Hd	8	794094
63Y	Capscrew - Hex Hd	32	793094
65B	Valve Holddown Screw	8	792002
	Valve Holddown Screw TNT-12		792806
69A	Piston Nut	2	790487
	Piston Nut TNT-12		792857
73E	Pipe Plug - 1/4	4	793498
75F	Tube Elbow	4	790367
96A	Pipe Plug - 1/4 Socket	2	790488
96B	Pipe Plug - 1/8 Socket	2	790309
101A	Head Cover	1	794706
101B	Cover	2	794705



Cylinder with Unloader Assembly: HDL942A, HDL942B

OVER.....

Cylinder with Unloader Assembly: HDL942A, HDL942B

ISO1069

Ref	Description	Qty	Part No
9E	Unloader Spring	4	793293
22B	Piston Shim - 0.015	AR	794762
	Piston Shim - 0.007	AR	794761
36	Cylinder	1	794703
	Cylinder TNT-12		792865
39B	Piston Cap	2	794719
	Piston Cap TNT-12		792853
39C	Piston	2	794718
	Piston TNT-12		792854
40	Expander	8	793614
41	Piston Ring - Glass/Moly Filled, Std	8	793610
	Piston Ring - Poly Filled		793612
42A	Head	2	794702
	Head TNT-12		792856
43E	Suction Valve Assembly	4	793659
	Suction Valve Assembly TNT-12		792872
	Suction Valve Assy, Stainless Steel		793629
43Z	Valve Repair Kit - For 793659/793679		793660
	Valve Repair Kit - For 793629		793630
44E	Discharge Valve Assembly	4	793679
	Discharge Valve Assembly TNT-12		792873
	Discharge Valve Assy, Stainless Steel		793649
44Z	Valve Repair Kit - For 793659/793679		793660
	Valve Repair Kit - For 793649		793650
45	Cage	8	794620
	Cage TNT-12		792835
48	Valve Cover Plate	8	794284
	Valve Cover Plate TNT-12		792817
49	Valve Cap	4	792003
	Valve Cap TNT-12		792804
60H	Gasket - Valve *	8	794198
60R	Gasket - Cover *	2	794722
61F	O-Ring (Buna-N) *	2	793177
61K	O-Ring (Buna-N) Std *	2	792315
	O-Ring (FKM) *		792316
	O-Ring (PTFE) *		792317
	O-Ring (Neoprene) *		792318
	O-Ring (Ethylene Propylene) *		792319
61M	O-Ring (Buna-N) Std *	2	792060
	O-Ring (FKM) *		792061
	O-Ring (PTFE) *		792062
	O-Ring (Neoprene) *		792063
	O-Ring (Ethylene Propylene) *		792075

Ref	Description	Qty	Part No
61S	O-Ring (Buna-N) Std *	8	792306
	O-Ring (FKM) *		792308
	O-Ring (PTFE) *		792307
	O-Ring (Neoprene) *		792309
	O-Ring (Ethylene Propylene) *		792310
61T	O-Ring (Buna-N) Std *	8	792112
	O-Ring (FKM) *		792213
	O-Ring (PTFE) *		792210
	O-Ring (Neoprene) *		792110
	O-Ring (Ethylene Propylene) *		792206
61Z	O-Ring (Buna-N) Std *	4	792311
	O-Ring (FKM) *		792313
	O-Ring (PTFE) *		792312
	O-Ring (Neoprene) *		792314
	O-Ring (Ethylene Propylene) *		792320
63M	Capscrew - Hex Hd	48	790053
63R	Capscrew - Hex Hd	8	794094
63Y	Capscrew - Hex Hd	32	793094
65B	Valve Holddown Screw	8	792002
	Valve Holddown Screw TNT-12		792806
69A	Piston Nut	2	790487
	Piston Nut TNT-12		792857
73E	Pipe Plug - 1/4	4	793498
75D	Tube Elbow	1	790355
75E	Tube Tee	3	790356
75F	Tube Elbow	4	790367
76D	Tube	3	790192
96A	Pipe Plug - 1/4 Socket	2	790488
96B	Pipe Plug - 1/8 Socket	2	790309
98A	Actuator Assembly	4	794296
	Actuator Assembly, for SS Valve		794298
98B	Unloader Post w/bolt ¹	4	793291
	Unloader Post w/bolt ¹ , for SS Valve		794291
98C	Unloader Piston	4	793288
98D	Unloader Body	4	793286
98E	Unloader Plunger	4	794290
98F	Unloader Seal	8	792284
98G	Unloader Cap	4	793287
98H	Lockwasher (2 piece)	4	793473
101A	Head Cover	1	794706
101B	Cover	2	794705

* Included in Gasket Sets

¹ Unloader Post with bolt replaces earlier style unloader post with retainer ring.



Suggested Spare Parts for HDL942A Compressors:

Part #	Description	Qty./ Unit	Comm. Qty.	Spare Qty.
794796	Gasket Set - Buna-N, Iron	1	1	1
794797	Gasket Set - PTFE, Iron *			
794798	Gasket Set - FKM, Iron *			
794799	Gasket Set - Neoprene, Iron *			
794790	Gasket Set - Ethylene Propylene, Iron *			
793660	Suction Valve Repair Kit	4		4
793630	Suction Valve Repair Kit - Stainless Steel *			
793660	Discharge Valve Repair Kit	4		4
793650	Discharge Valve Repair Kit - Stainless Steel *			
792284	Unloader Seal *	8		8
793610	Piston Ring - Glass and Moly Filled	8	8	8
793612	Piston Ring - Poly Filled *			
793614	Piston Ring Expander	8		8
794746	Upper Packing Ring - R/T	6	6	6
	Packing Type A	10	10	10
	Packing Type B or D			
794747	Upper Packing Ring - T/T	2	2	2
794499	Lower Packing Set	2	2	2
794726	Oil Filter	1	1	6
794727	Wrist Pin	2		2
794749	Wrist Pin Bushing	2	2	2
794710	Conrod Bearing	2	2	2
The following parts would normally be required only for major compressor overhaul.				
794730	Inboard Bearing Cone	1		1
794731	Inboard Bearing Cup	1		1
794130	Outboard Bearing Cone	1		1
794131	Outboard Bearing Cup	1		1
794723	Crosshead Assembly	2		1
794728	Conrod Assembly	2		1
794760	Oil Pump Repair Kit	1		
794708	Crankshaft Assembly	1		
794733	Bearing Adjustment Shim Kit	1		
794704	Cylinder	1		

* Optional Equipment on New Compressors