

HDS602B PARTS LIST

Discontinued Model – parts availability may be limited.

Serial # _____

ID# _____

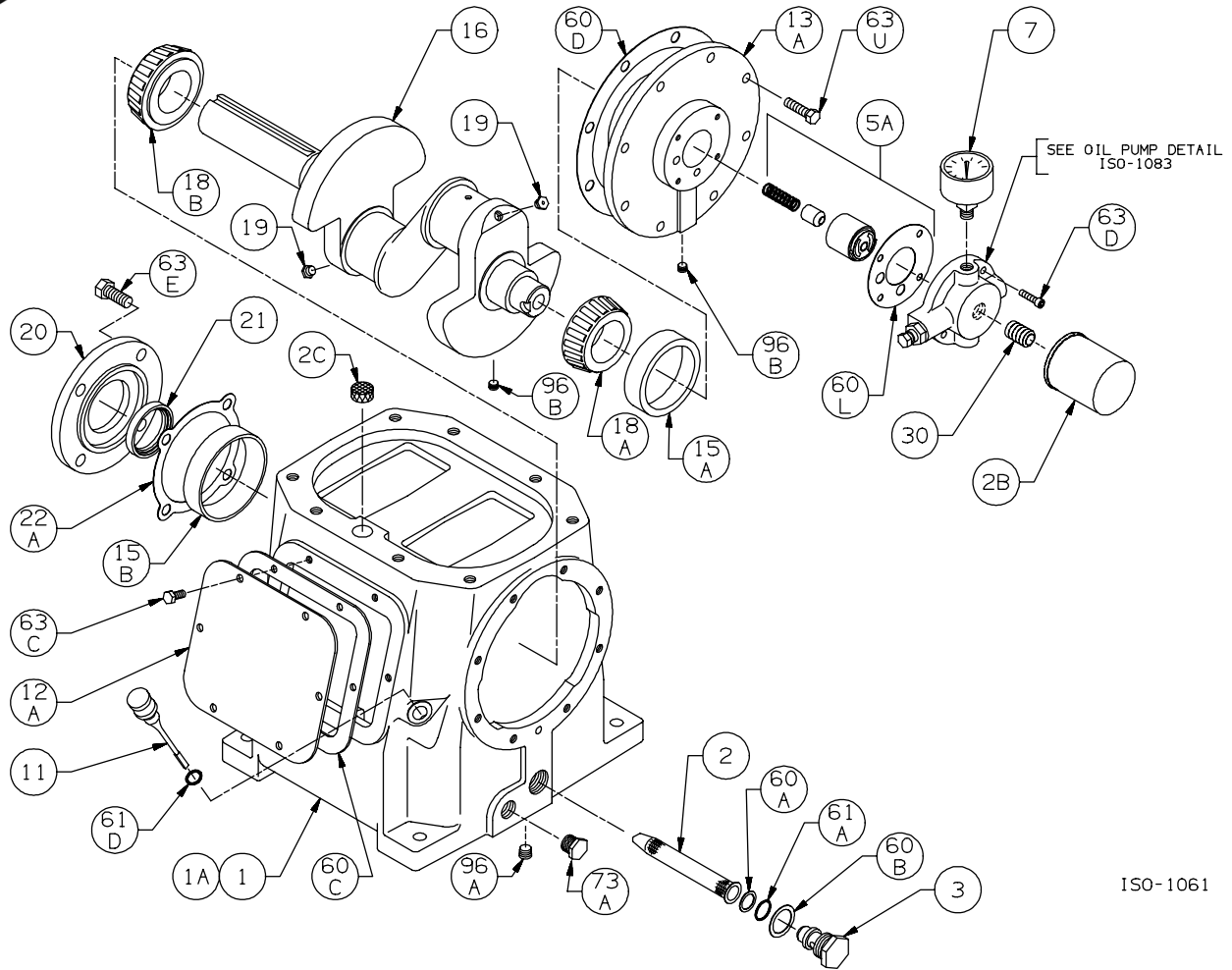
Gasket Sets and Special Tools

Gasket Set	FKM & Iron	794595
	PTFE & Iron	794596
Packing Installation Tool		790538
Spanner Wrench, 1/4" Adjustable		790316
Wrench for Valve Holdown Screw		790535
Tool Kit		790199

Bulletins Needed For Complete Parts List

This page	9E-360
Crankcase	9F-031
Oil Pump	9G-011
Flywheel	9H-030
Crosshead	9J-150
Cylinder	9L-200
Head	9M-270

Notes:



Crankcase Assembly:

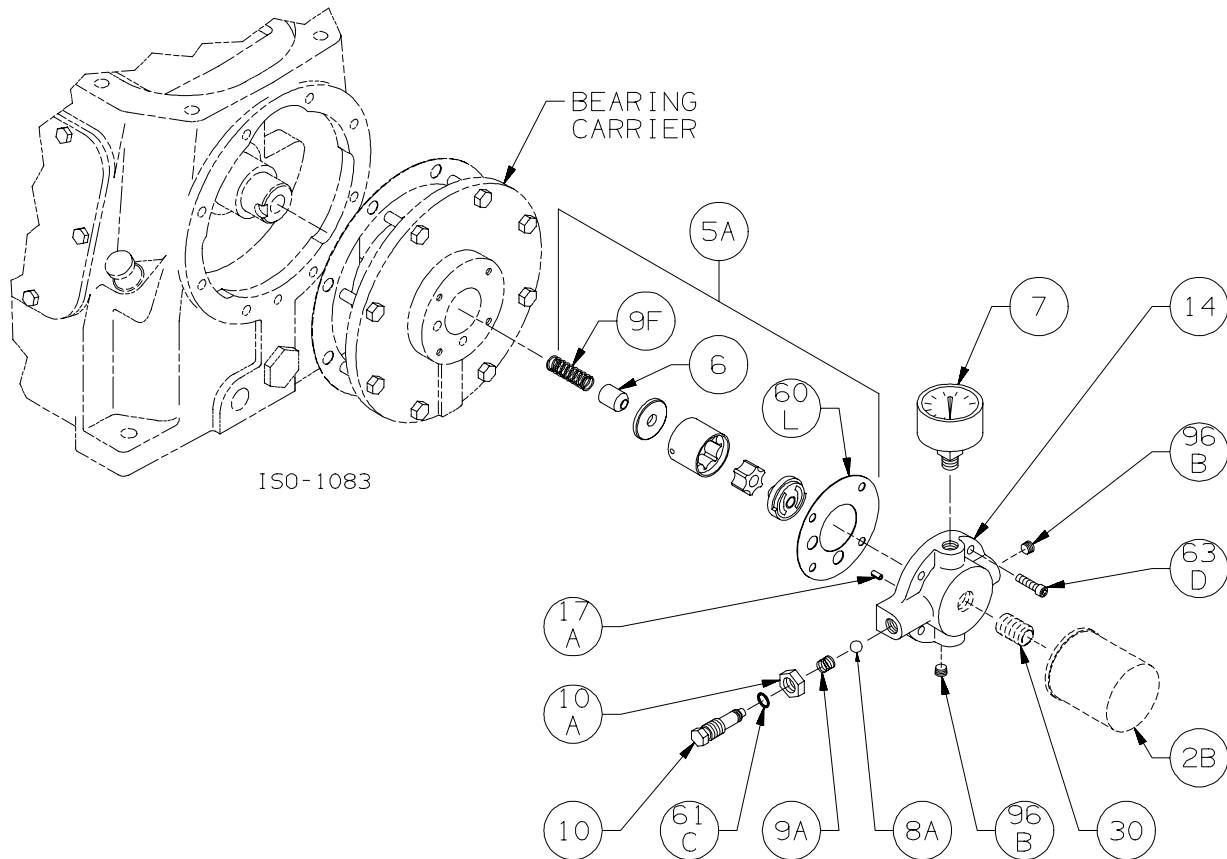
Models HD601B, HD602B, HD603B, HDL602B, HDL603B, HDL642B, HDL643B, HDS602B
 HD612B, HD613B, HDL612B, HDL613B, HDS612B

ISO1061

Ref	Description	Qty	Part No
1	Crankcase Assembly - w/ Oil Filter (std.) Crankcase Assembly	1	794758 794759
1A	Crankcase	1	794709
2	Oil Intake Screen	1	792135
2B	Oil Filter	1	794726
2C	Breather Filter	1	794752
3	Oil Screen Plug	1	792145
5A	Oil Pump Kit	1	794760
7	Oil Pressure Gauge	1	790012
11	Oil Bayonet Assembly	1	792162
12A	Inspection Plate	1	794140
13A	Bearing Carrier	1	794714
15A	Bearing Cup (Outboard)	1	794131
15B	Bearing Cup (Inboard)	1	794731
16	Crankshaft Assembly (w/ 18A,18B,19,96B)	1	794708
18A	Bearing Cone (Outboard)	1	794130
18B	Bearing Cone (Inboard)	1	794730
19	Orifice	2	792146

Ref	Description	Qty	Part No
20	Bearing Cover Plate	1	794716
21	Oil Seal	1	794732
22A	Bearing Adjustment Shim Kit	1	794733
30	Oil Filter Fitting	1	794725
60A	Gasket - Oil Screen *	1	792136
60B	Gasket - Oil Screen Plug *	1	792123
60C	Gasket - Inspection Plate *	1	794122
60D	Gasket - Bearing Carrier Assembly *	1	794720
60L	Gasket - Oil Pump Cover *	1	794721
61A	O-Ring - Oil Screen *	1	792175
61D	O-Ring - Oil Bayonet *	1	792174
63C	Capscrew - Hex Hd	6	793116
63D	Capscrew - Soc Hd	4	790559
63E	Capscrew - Hex Hd	4	790484
63U	Capscrew - Hex Hd	8	792093
73A	Pipe Plug	1	790024
96A	Pipe Plug	1	790488
96B	Pipe Plug	2	790309

* Included in Gasket Sets



Oil Pump Detail for Models:

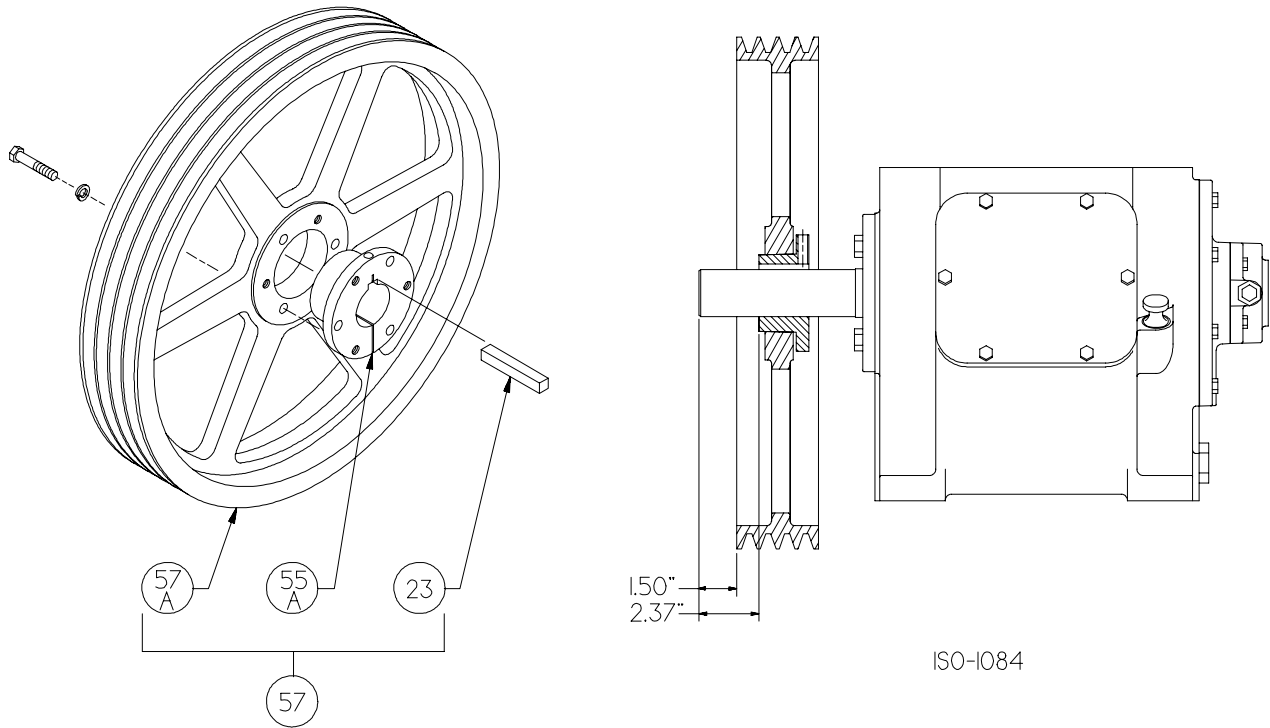
HD161C, HD161B, HD162C, HD162B, HD163C, HD163B, HDS162C
 HD172C, HD172B, HD173C, HD173B, HDL172C, HDL173C, HDS172C
 HDL342B, HDL343B, HDL342C, HDL343C,
 HD361C, HD361B, HD362C, HD362B, HD363C, HD363B, HDS362C,
 HDL362B, HDL363B, HDL362C, HDL363C,
 HD372C, HD372B, HDL372C, HDL372B, HD373C, HD373B, HDL373C, HDL373B, HDS372C
 HD601B, HD602B, HD603B, HDL602B, HDL603B, HDS602B, HDL642B, HDL643B,
 HD612B, HDL612B, HD613B, HDL613B, HDS612B
 HD942A and HDL942A

Ref	Description	Qty	Part No
2B	Oil Filter	1	794726
5A	Oil Pump Kit (w/ 6, 9F, 60L)		794760
6	Oil Pump Cone	1	794750
7	Oil Pressure Gauge	1	790012
8A	Oil Pressure Adj. Ball	1	792154
9A	Oil Pressure Adj. Spring	1	792153
9F	Oil Pump Spring	1	794751
10	Oil Pressure Adj. Screw	1	792148
10A	Locknut	1	792152

ISO1083

Ref	Description	Qty	Part No
14	Oil Pump Cover Assembly - For Filter	1	794764
	with 17A, 96B		
	Oil Pump Cover Assembly - w/ 17A, 96B		794763
17A	Roll Pin	1	794753
30	Oil Filter Fitting	1	794725
60L	Gasket - Oil Pump Cover *	1	794721
61C	O-Ring - Adjusting Screw *	1	792168
63D	Capscrew - Soc. Hd	4	790559
96B	Pipe Plug	2	790309

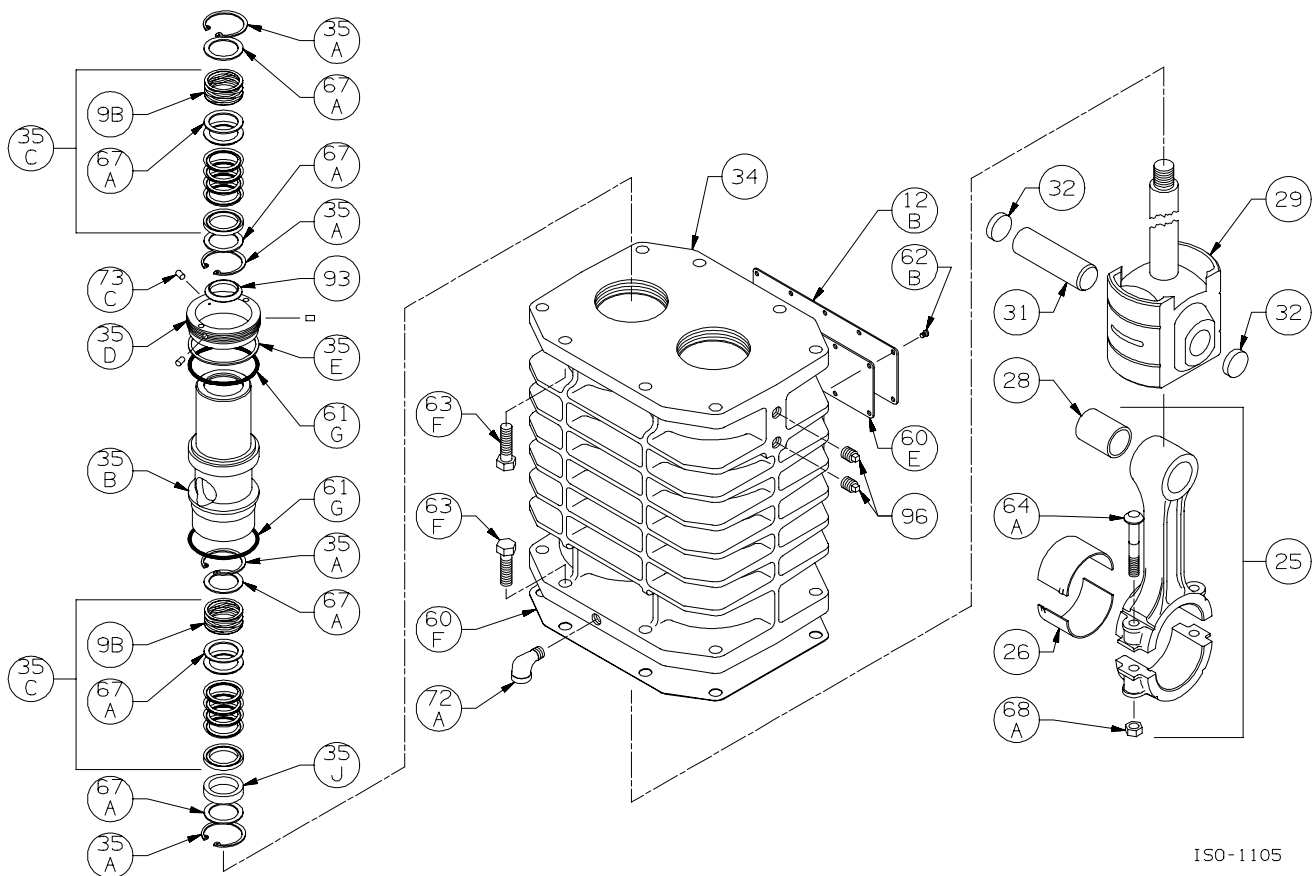
* Included in Gasket Sets



Standard Flywheel Assembly:
 HD601B, HD602B, HD603B
 HDL602B, HDL603B, HDS602B
 HDL642B, HDL643B

ISO1084

Ref	Description	Qty	Part No
23	Key	1	794267
55A	Hub	1	790149
57	Flywheel Assembly	1	794132
57A	Flywheel	1	790545



ISO-1105

Crosshead Assembly: HDS602B, HDS612B

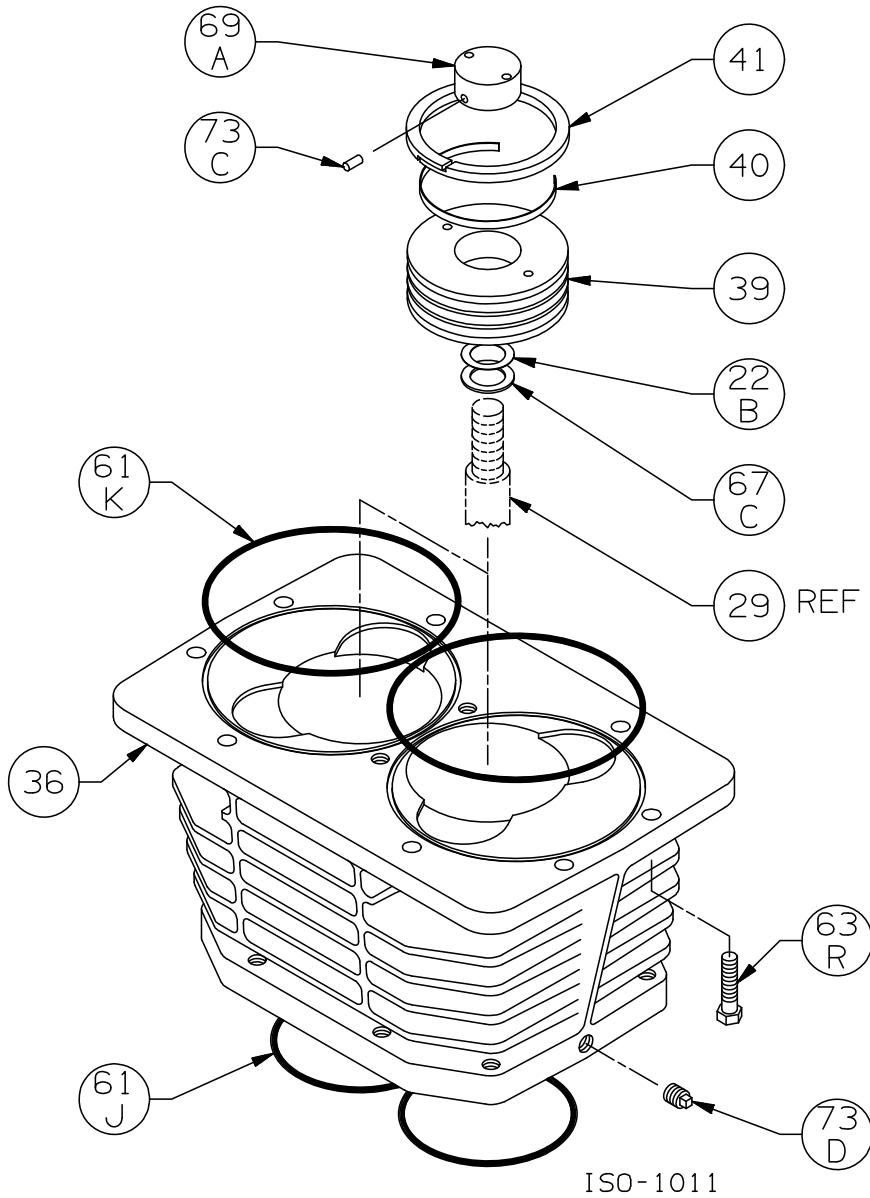
ISO1105

Ref	Description	Qty	Part No
9B	Packing Spring – Stainless Steel	4	794041
12B	Inspection Plate	1	794093
25	Connecting Rod Assembly	2	794728
26	Connecting Rod Bearing	2	794710
28	Wrist Pin Bushing **	2	794749
29	Crosshead Assy. (top marked '90k')	2	794523
31	Wrist Pin	2	794727
32	Wrist Pin Plug	4	794724
34	Crosshead Guide	1	794430
35A	Retainer Ring – Stainless Steel	8	794511
35B	Packing Box (top marked '1018')	2	794535
	Packing Box TNT-12		794536
35C	Packing Set	4	794498
35D	Hold-down Ring	2	794220
	Hold-down Ring TNT-12		792839

Ref	Description	Qty	Part No
35E	Spacer Ring	2	794403
35J	Packing Bushing	2	794043
60E	Gasket - Inspection Plate *	1	794092
60F	Gasket - Crankcase *	1	794121
61G	O-Ring (FKM) *	4	794213
	O-Ring (PTFE) *		794208
62B	Machine Screw - Inspection Plate	10	793096
63F	Capscrew - Hex Hd – Stainless Steel	16	801185
64A	Connecting Rod Bolt	4	794012
67A	Washer - Packing Box	12	794084
68A	Connecting Rod Bolt Nut	4	794013
72A	Elbow - Vent	1	790453
73C	Lock Plug *	6	794028
93	Oil Deflector Ring	2	794478
96	Pipe Plug	4	793498

*Included in Gasket Sets

** Must be honed after installing



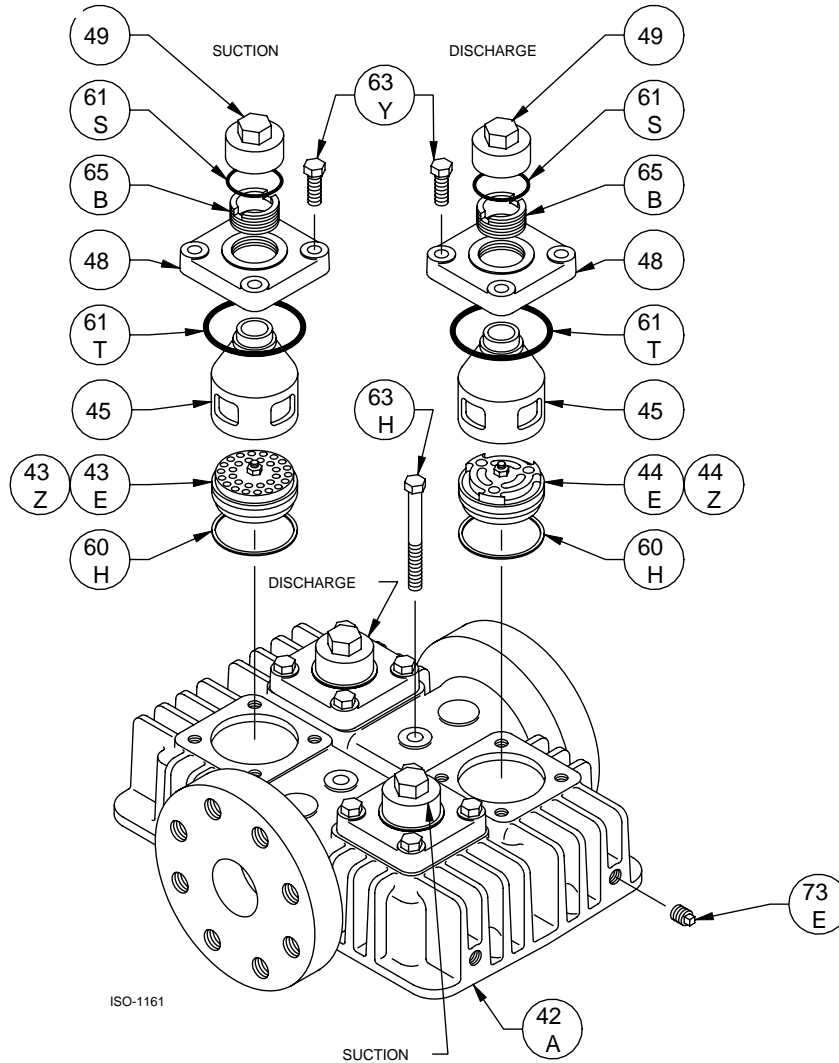
Cylinder Assembly: HDS602C|B

Ref	Description	Qty	Part No
22B	Piston Shim - 0.015"	AR	794434
	Piston Shim - 0.007"	AR	794436
36	Cylinder Cylinder TNT-12	1	794103 792831
39	Piston Piston TNT-12	2	794431 792833
40	Expander	6	793614
41	Piston Ring – Glass/Moly Filled, Std Piston Ring - Poly Filled	6	793610 793612

* Included in Gasket Sets

ISO1011

Ref	Description	Qty	Part No
61J	O-Ring (FKM) *	2	794214
	O-Ring (PTFE) *		794125
61K	O-Ring (FKM) *	2	794106
	O-Ring (PTFE) *		794105
63R	Capscrew - Hex Hd – Stainless Steel	8	793150
67C	Thrust Washer	2	794433
69A	Piston Nut Piston Nut TNT-12	2	794422 792834
73C	Lock Plug *	4	794222
73D	Pipe Plug	1	793498



Head Assembly: HDS602C|B

ISO1161

Ref	Description	Qty	Part No
42A	Head (ANSI Flanges)	1	794100
	Head TNT-12 (ANSI Flanges)		792893
43E	Suction Valve Assembly	2	793659
	Suction Valve Assembly TNT-12		792872
	Suction Valve Assy, Stainless Steel		793629
43Z	Valve Repair Kit - For 793659/793679		793660
	Valve Repair Kit - For 793629		793630
44E	Discharge Valve Assembly	2	793679
	Discharge Valve Assembly TNT-12		792873
	Discharge Valve Assy, Stainless Steel		793649
44Z	Valve Repair Kit - For 793659/793679		793660
	Valve Repair Kit - For 793649		793650
45	Cage	4	794620
	Cage TNT-12		792835

Ref	Description	Qty	Part No
48	Valve Cover Plate	4	794284
	Valve Cover Plate TNT-12		792817
49	Valve Cap	4	792003
	Valve Cap TNT-12		792804
60H	Gasket - Valve *	4	794198
61S	O-Ring (FKM) *	4	792308
	O-Ring (PTFE) *		792307
61T	O-Ring (FKM) *	4	792213
	O-Ring (PTFE) *		792210
63H	Capscrew - Hex Hd – Stainless Steel	2	920588
63Y	Capscrew - Hex Hd – Stainless Steel	16	793153
65B	Valve Holddown Screw	4	792002
	Valve Holddown Screw TNT-12		792806
73E	Pipe Plug	2	793498

* Included in Gasket Sets

Suggested Spare Parts for HDS602B:

Part #	Description	Qty./ Unit	Comm. Qty.	Spare Qty.
794595	Gasket Set - FKM	1	1	1
794596	Gasket Set - PTFE *			
793660	Suction Valve Repair Kit - PEEK	2		2
793630	Suction Valve Repair Kit - Stainless Steel *			
793660	Discharge Valve Repair Kit - PEEK	2		2
793650	Discharge Valve Repair Kit - Stainless Steel *			
793610	Piston Ring - Standard	6	6	6
793612	Piston Ring - Poly Filled *			
793614	Piston Ring Expander	6	6	6
794498	Packing Set	4	4	4
794726	Oil Filter *	1		6
794727	Wrist Pin	2		2
794749	Wrist Pin Bushing	2	2	2
794710	Conrod Bearing	2	2	2
The following parts would normally be required only for major compressor overhaul.				
794730	Inboard Bearing Cone	1		1
794731	Inboard Bearing Cup	1		1
794130	Outboard Bearing Cone	1		1
794131	Outboard Bearing Cup	1		1
794523	Crosshead Assembly	2		2
794728	Conrod Assembly	2		
794760	Oil Pump Repair Kit	1		
794708	Crankshaft Assembly	1		
794733	Bearing Adjustment Shim Kit	1		
794103	Cylinder	1		
792831	TNT-12 Treated Cyl.			

* Optional Equipment on New Compressors