

DISCONTINUED

Suggested Spare Parts for LB361 and LB361A Compressors:

Part #	Description	Qty./Unit	Comm. Qty.	Spare Qty.
793099	Gasket Set - Buna-N, Aluminum	T 1	1	1
793259	Suction Valve Sub-Assembly	T 2		2
793279	Discharge Valve	T 2		2
793008	Piston Ring	T 6	6	6
793012	Piston Ring Expander	T 6	6	6
793499	Packing Set	T 2	2	2
790004	Oil Filter (Package of 6)*	1		1
793004	Wrist Pin	I 2		2
793003	Wrist Pin Bushing	I 2	2	2
793002	Conrod Bearing	I 2	2	2

The following parts would normally be required only for major compressor overhaul.

793029	Crosshead Assembly	I 2		1
793142	Inboard Bearing Cone	1		1
792127	Outboard Bearing Cone	1		1
793126	Inboard Bearing Cup	1		1
792126	Outboard Bearing Cup	1		1
793009	Conrod Assembly	2		1
793159	Crankshaft Assembly with Bearing Cones	1		
793169	Extended Crankshaft Assembly *			
793133	Bearing Adjustment Shim Kit	1		
798855	Oil Pump Repair Kit	1		
793045	LB361A Cylinder	1		
793101	LB361 Cylinder			

The Following Spare Parts Kits Are Available

793229	Top End Kit (Includes 'T' Parts)
793230	Intermediate Kit (Includes 'T' and 'I' Parts)

* Optional Equipment on New Compressors

LB361 and LB361A PARTS LIST

DISCONTINUED

Serial # _____

ID# _____

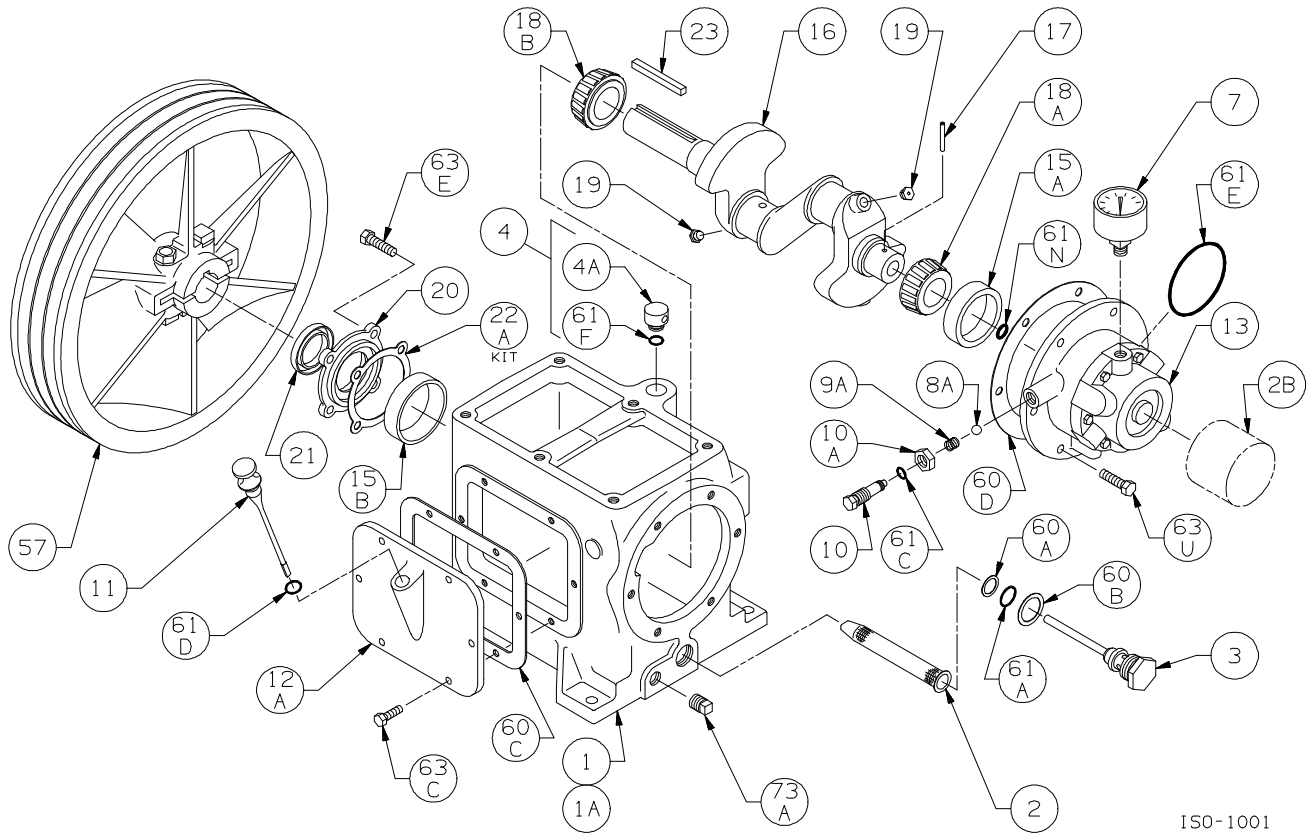
Gasket Set, Repair Kits and Special Tools

Gasket Set (Buna-N & Aluminum)	793099
Top End Repair Kit Includes Piston Rings & Expanders, Packing Sets, Valves, Gaskets & O-rings	793229
Intermediate Repair Kit Includes Top End Kit plus Wrist Pins & Bushings, Connecting Rod Bearings, and Crossheads.	793230
Packing Installation Tool	790536
Spanner Wrench, 1/4" Adjustable	790316
Tool Kit	790199

Bulletins Needed For Complete Parts List

	LB361	LB361A
This page	5E-030	5E-030
Crankcase	5F-020	5F-020
Oil Pump	5G-010	5G-010
Crosshead	5J-030	5J-030
Cylinder	5L-001	5L-030
Head	5M-001	5M-020

Notes:



150-1001

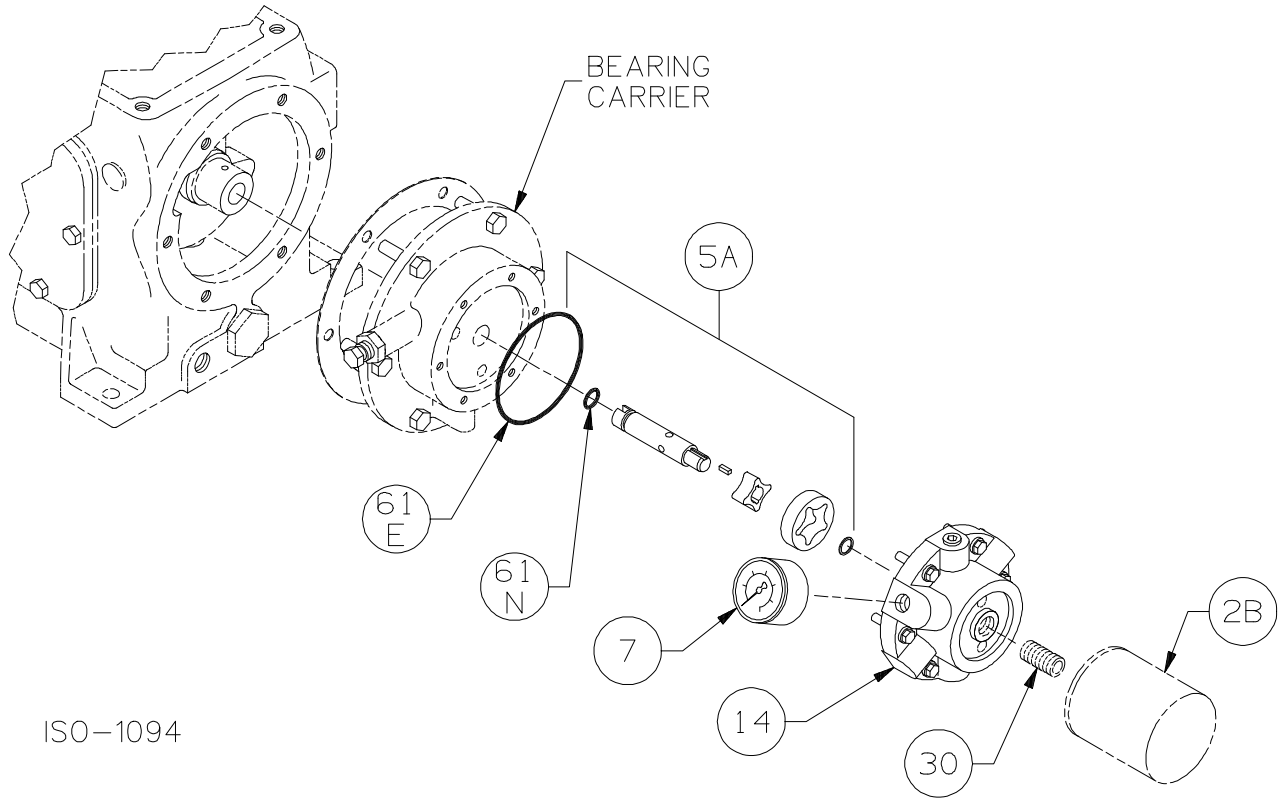
Crankcase Assembly: Models LB361, LB361A, LB362, LB362A, LB362B

ISO1001

Ref	Description	Qty	Part No
1	Crankcase Assembly (less flywheel)	1	793119
1A	Crankcase	1	793134
2	Oil Intake Screen	1	792135
2B	Oil Filter (Package of 6)	1	790004
3	Oil Screen Plug	1	792145
4	Breather Assembly	1	793149
4A	Breather Cap	1	792144
7	Oil Pressure Gauge	1	790012
8A	Oil Pressure Adjusting Ball	1	792154
9A	Oil Pressure Adjusting Spring	1	792153
10	Oil Pressure Adjusting Screw	1	792148
10A	Locknut	1	792152
11	Oil Bayonet Assembly	1	793162
12A	Inspection Plate	1	793118
13	Bearing Carrier Assembly Bearing Carrier Assembly with Oil Filter	1	793179 793170
15A	Bearing Cup (Outboard)	1	792126
15B	Bearing Cup (Inboard)	1	793126
16	Crankshaft Assembly (w/ 18A,18B,19) Crankshaft Assembly - Extended	1	793159 793169
17	Oil Pump Drive Pin	1	792147
18A	Bearing Cone (Outboard)	1	792127

Ref	Description	Qty	Part No
18B	Bearing Cone (Inboard)	1	793142
19	Orifice	2	792146
20	Bearing Cover Plate	1	793137
21	Oil Seal	1	793143
22A	Bearing Adjustment Shim Kit	1	793133
23	Key	1	793167
57	Flywheel Assembly	1	793128
60A	Gasket - Oil Screen *	1	792136
60B	Gasket - Oil Screen Plug *	1	792123
60C	Gasket - Inspection Plate *	1	793122
60D	Gasket - Bearing Carrier Assembly *	1	793124
61A	O-Ring - Oil Screen *	1	792175
61C	O-Ring - Adjusting Screw *	1	792168
61D	O-Ring - Oil Bayonet *	1	792174
61E	O-Ring - Oil Pump Cover *	1	792186
61F	O-Ring - Breather Cap *	1	792173
61N	O-Ring - Oil Pump Shaft *	1	792174
63C	Capscrew - Hex Hd	6	793116
63E	Capscrew - Hex Hd	4	793158
63U	Capscrew - Hex Hd	6	792093
73A	Pipe Plug	1	792166

* Included in Gasket Sets



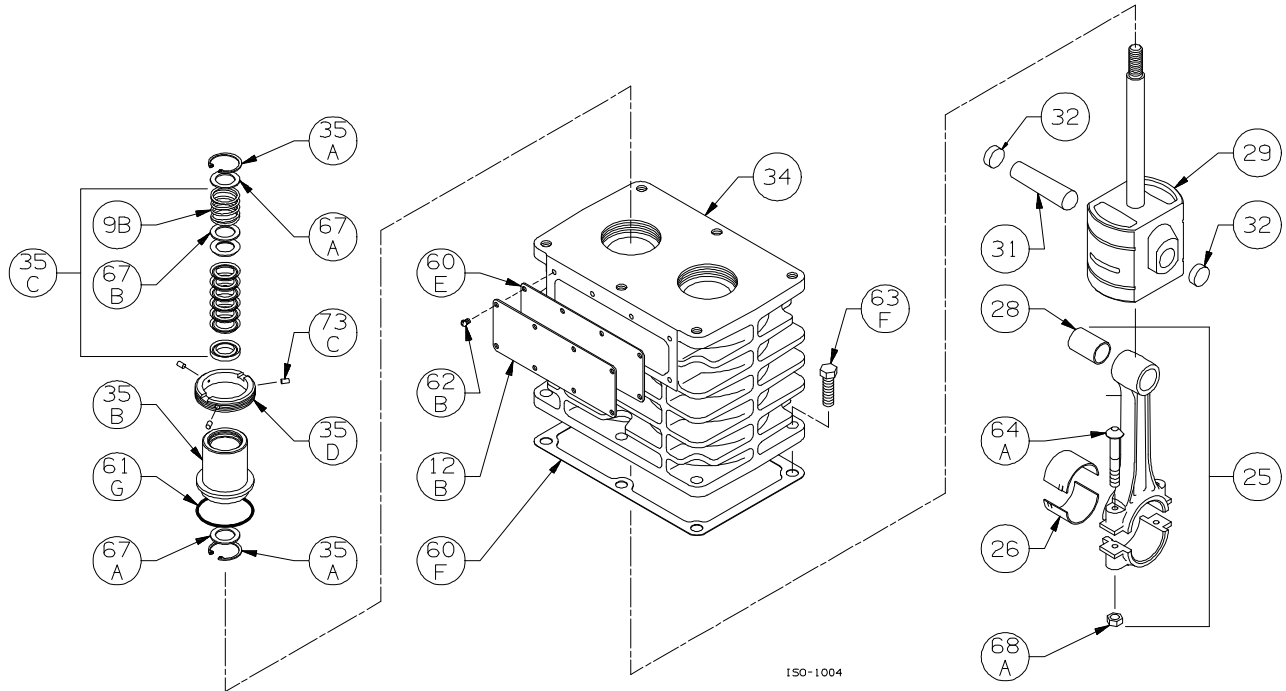
ISO-1094

Oil Pump Detail: Models LB161, LB162,
LB361, LB361A, LB362, LB362A, LB362B
LB601, LB601A, LB602, LB602A

S1094

Ref	Description	Qty	Part No
2B	Oil Filter (Package of 6)	1	790004
5A	Oil Pump Kit (w/ 61E, 61N) LB161, LB162, LB361, LB361A, LB362, LB362A, LB362B LB601, LB601A, LB602, LB602A	1	798855
		1	798856
7	Oil Pressure Gauge	1	790012
14	Oil Pump Cover	1	792181
	Oil Pump Cover - For Filter		790001
30	Oil Filter Fitting	1	790002
61E	O-Ring - Oil Pump Cover *	1	792186
61N	O-Ring - Oil Pump Shaft *	1	792174

* Included in Gasket Sets



ISO-1004

Crosshead Assembly: Models LB361, LB361A, LB361B

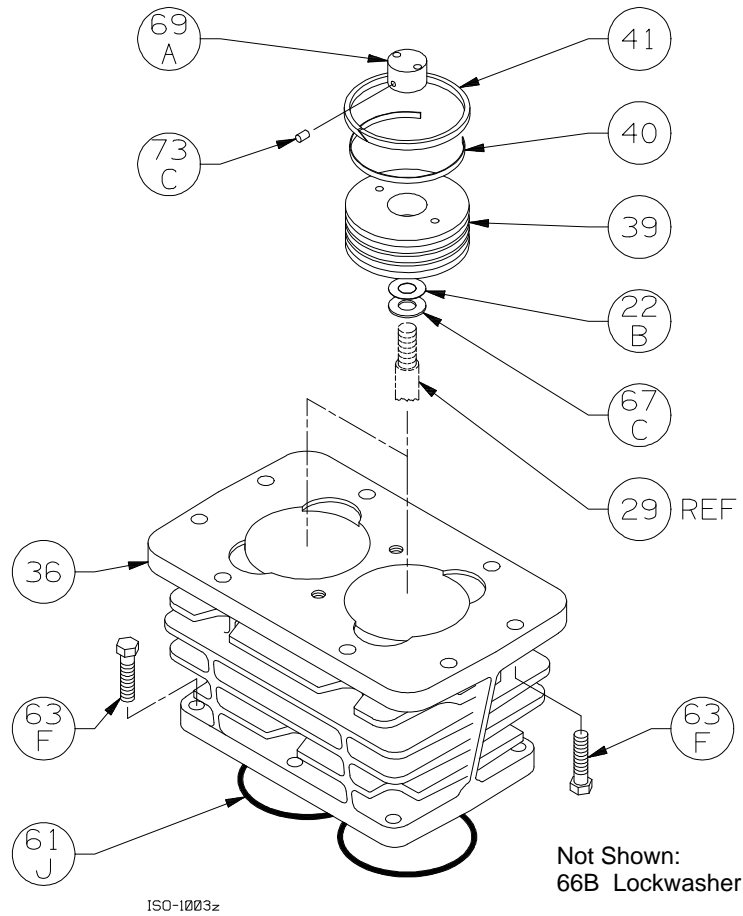
ISO1004

Ref	Description	Qty	Part No
9B	Packing Spring	2	792077
12B	Inspection Plate	1	793093
25	Connecting Rod Assembly	2	793009
26	Connecting Rod Bearing	2	793002
28	Wrist Pin Bushing **	2	793003
29	Crosshead Assembly	2	793029
31	Wrist Pin	2	793004
32	Wrist Pin Plug	4	792178
34	Crosshead Guide	1	793091
35A	Retainer Ring	4	792088
35B	Packing Box	2	793221
35C	Packing Set	2	793499

Ref	Description	Qty	Part No
35D	Hold-down Ring	2	793220
60E	Gasket - Inspection Plate *	1	793092
60F	Gasket - Crankcase *	1	793121
61G	O-Ring (Buna-N) Std *	2	792125
62B	Machine Screw - Inspection Plate	8	793096
63F	Capscrew - Hex Hd	6	793094
64A	Connecting Rod Bolt	4	793006
67A	Washer - Packing Box	4	792083
67B	Washer - Packing Spring	2	792087
68A	Connecting Rod Bolt Nut	4	793007
73C	Lock Plug *	6	792030

* Included in Gasket Sets

** Must be honed after installing

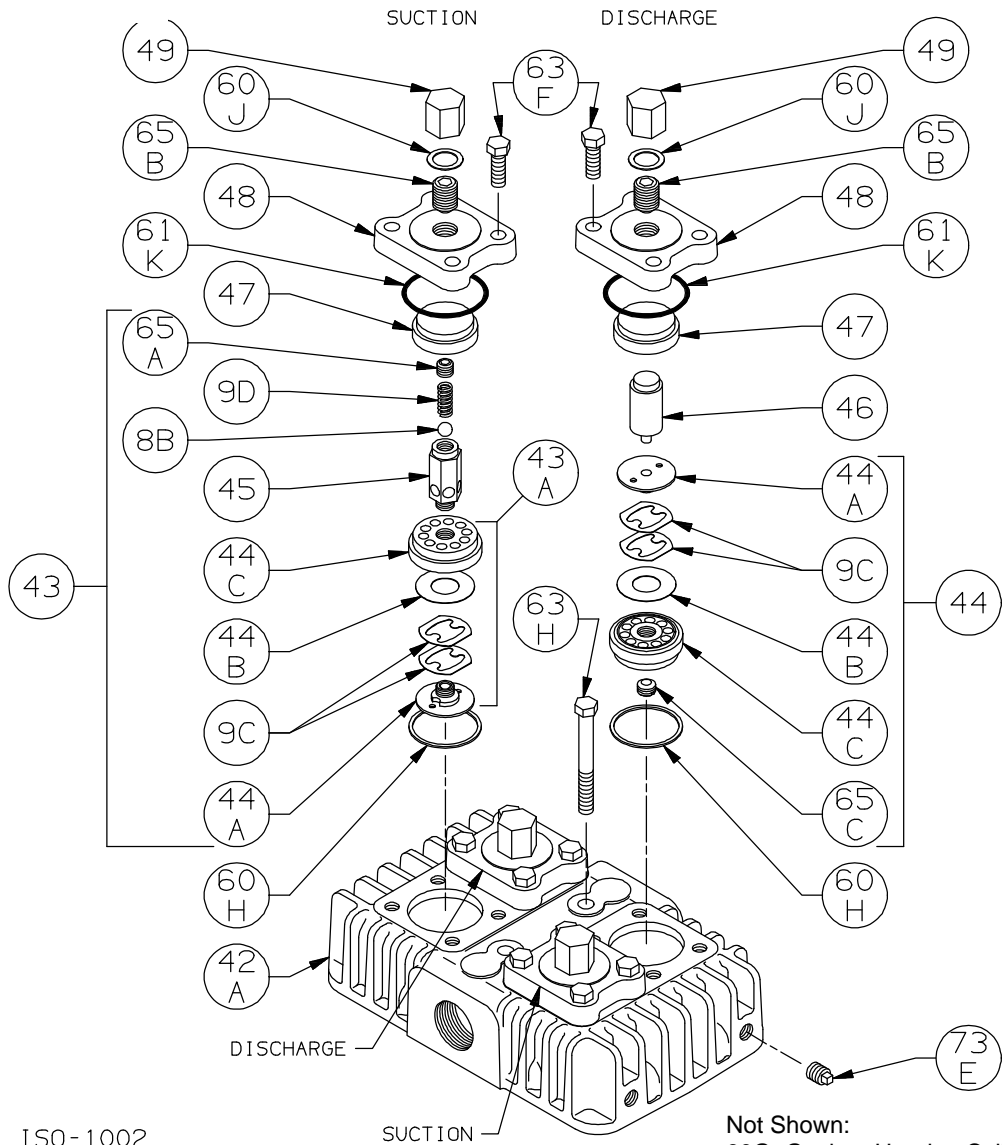


Cylinder Assembly:
Models LB361, LB362 and LB362A

ISO1003z

Ref	Description	Qty	Part No
22B	Piston Shim - 0.015	AR	792034
	Piston Shim - 0.007	AR	792050
36	Cylinder		
	Models LB361, LB362A	1	793101
	Model LB362	1	793401
39	Piston	2	793021
40	Expander	6	793012
41	Piston Ring	6	793008
61J	O-Ring *	2	793177
63F	Capscrew - Hex Hd	14	793094
66B	Lockwasher	14	793095
67C	Thrust Washer	2	792033
69A	Piston Nut	2	793022
73C	Lock Plug *	4	793028

* Included in Gasket Sets



ISO - 1002

SUCTION

Not Shown:
60G Gasket, Head to Cylinder
60K Gasket, Center Head Bolt

Head Assembly: Models LB361, LB362 and LB362A

ISO1002

Ref	Description	Qty	Part No
8B	Liquid Relief Valve Ball	2	792042
9C	Valve Spring	8	793038
9D	Liquid Relief Valve Spring	2	792045
42A	Head	1	793111
43	Suction Valve Assembly	2	793269
43A	Valve Sub-Assembly	—	793259
44	Discharge Valve Assembly	2	793279
44A	Valve Bumper	4	793235
44B	Valve Disc	4	793037
44C	Valve Body	4	793236
45	Liquid Relief Valve Body	2	793046
46	Post	2	793034
47	Valve Spacer	4	793061
48	Valve Cover Plate	4	793071

Ref	Description	Qty	Part No
49	Valve Cap	4	793072
60G	Gasket, Head to Cylinder *	1	793112
60K	Gasket, Center Head Bolt *	2	793113
60H	Gasket - Valve *	4	793107
60J	Gasket - Valve Cap *	4	793108
61K	O-Ring *	4	793114
63F	Capscrew - Hex Hd	16	793094
63H	Capscrew - Hex Hd	2	793115
65A	Liquid Relief Valve Screw	2	793054
65B	Valve Holddown Screw	4	793068
65C	Screw	2	793234
73E	Pipe Plug	2	793498

* Included in Gasket Sets