



## TransMax® TX400

### Sliding Vane Transport Pumps

#### Design

Blackmer's unique open rotor design and non-metallic sliding vanes are the key to TransMax®'s versatility. Sliding vane construction self-compensates for wear to keep internal pump clearances at like-new levels, so TransMax® keeps on delivering thick and thin liquids at original flow rates, long after other transport pumps lose their prime.

With minor assembly changes to the vanes and relief valve, the unidirectional TX400 pump can be mounted with either port in the intake or discharge position to fit existing piping and drive arrangements.

The pump can be run in the reverse rotation to strip or clean lines. (Flow rate in the reverse rotation is reduced.)

#### Application

Blackmer's TX400 TransMax® pump provides high efficiency and sustained performance with thick or thin fluids, from 30 to 50,000 ssu (7 to 10,500 cSt) at rated P.T.O. speeds. Also, TransMax® offers capacities from 200 to 400 U.S. gpm (757 to 1,514 L/min).

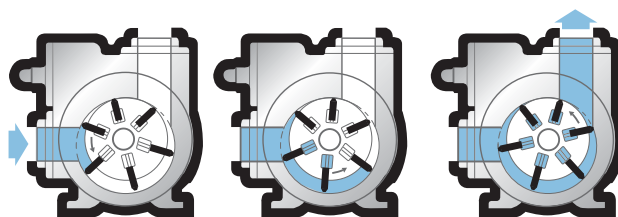
#### Benefit

The unique open rotor design makes the TX400 pump highly versatile and allows for broad viscosity range – up to 50,000 ssu (10,500 cSt). The sliding vane design provides sustained high-performance capabilities including self-priming and line clearing. These benefits are not found with existing gear pumps.



TX400

#### How Blackmer's Sliding Vane Action Works





# TransMax® TX400 Transport Pump

## Characteristic Flow Rates

Pump Model	Speed	100 ssu (22 cSt)		10,000 ssu (2,157 cSt)		50,000 ssu (10,500 cSt)	
	rpm	gpm	lpm	gpm	lpm	gpm	lpm
TX400	400	200	756	195	737	187	707
	500	250	946	245	927	233	881
	600	300	1,135	293	1,108	–	–
	700	351	1,328	342	1,294	–	–
	800	400	1,514	–	–	–	–

## TransMax® Application Assistance

In some applications, selecting the right TransMax® pump may require more detailed information than can be presented in this Spec Sheet. Blackmer has a worldwide distribution network to assist you in specifying the proper equipment for your application.

## Optional Pipe Flanges

Pump Model	Description
TX400	One – 4" Weld (Intake) One – 3" Weld (Discharge) or Two – 4" Weld

Please contact Blackmer's Application Engineering Group at the telephone or fax number listed below for the name of your nearest TransMax® distributor.

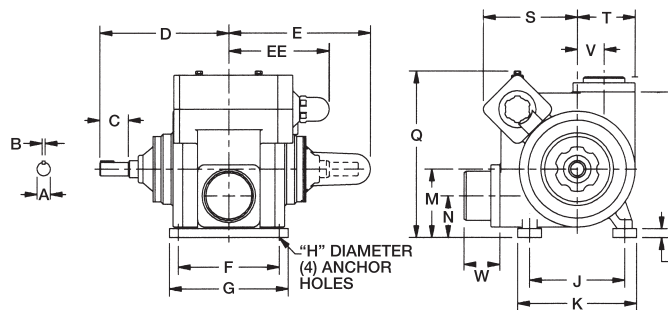
## Maximum Operating Limits

Pump Model	Nominal Flow Rate		Pump Speed	Viscosity		Differential Pressure		Working Pressure		Temperature	
	gpm	lpm	rpm	ssu	cSt	psi	bar	psi	bar	°F	°C
TX400	400	1,514	800	50,000	10,500	125	8.6	175	12.06	300	148

**Note:** Optional materials of construction may be required to meet specific application requirements – refer to Blackmer Material Specification Sheet 205-091. For operating limits that exceed those listed – consult factory.

## Pump Dimensions

Pump Model	A	B	C	D	E	EE	F	G	H	J	K	L	M	N	P	Q	S	T	V	Approx. Wt. Without Pipe Flanges	
TX400	in.	1½	¼	2¾	10⅞	11⅞	8⅞	8½	10	5	8	10	¾	5¼	3½	12¼	14	7⅝	4¾	2¼	192 lbs.
	mm	–	–	60	276	302	214	216	254	16	203	254	19	146	89	311	356	202	124	57	87 kg



TX400



**World Headquarters**  
1809 Century Avenue SW  
Grand Rapids, MI 49503-1530 USA  
T 616.241.1611 F 616.241.3752



www.blackmer.com

Distributed by: