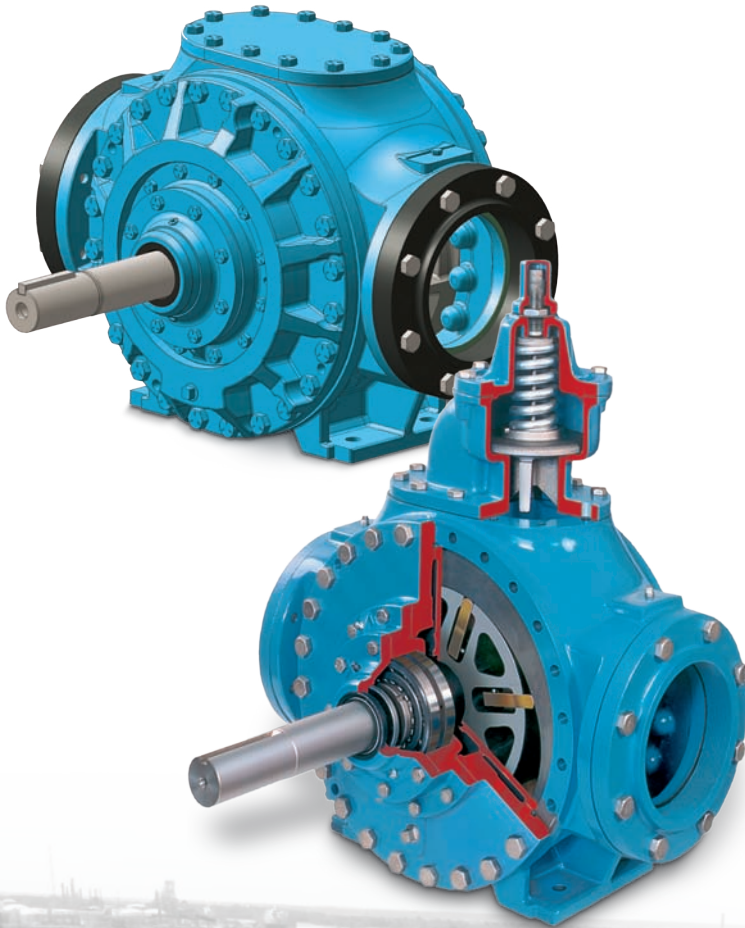




## CRL8 Pump Liquid CO<sub>2</sub> Transfer, Ductile Iron



### Design Features

Blackmer CRL pumps are specifically designed for harsh CO<sub>2</sub> transfer pump duty — handling a dry, non-lubricating liquid at sub-zero temperatures and high differential pressures. The CRL8 is constructed of ASTM 536 ductile iron that will withstand sudden thermal shock and stress well beyond the capabilities of cast iron. Replaceable casing liners and end discs allow easy rebuilding of the pump, without removing the pump from the piping.

Standard features include Buna O-rings, external ball bearings, mechanical seals, 8-inch ANSI flanged port sizes and a maximum rated capacity of 1,020 gpm (231 m<sup>3</sup>/h). An optional bolt-on relief valve is available to protect the pump from excessive pressure.

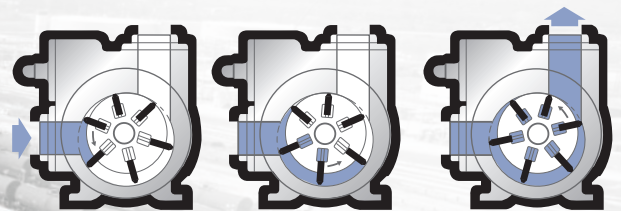
Base-mounted unit assemblies with commercial gear reduction drives are available. Consult factory for details.

### Applications

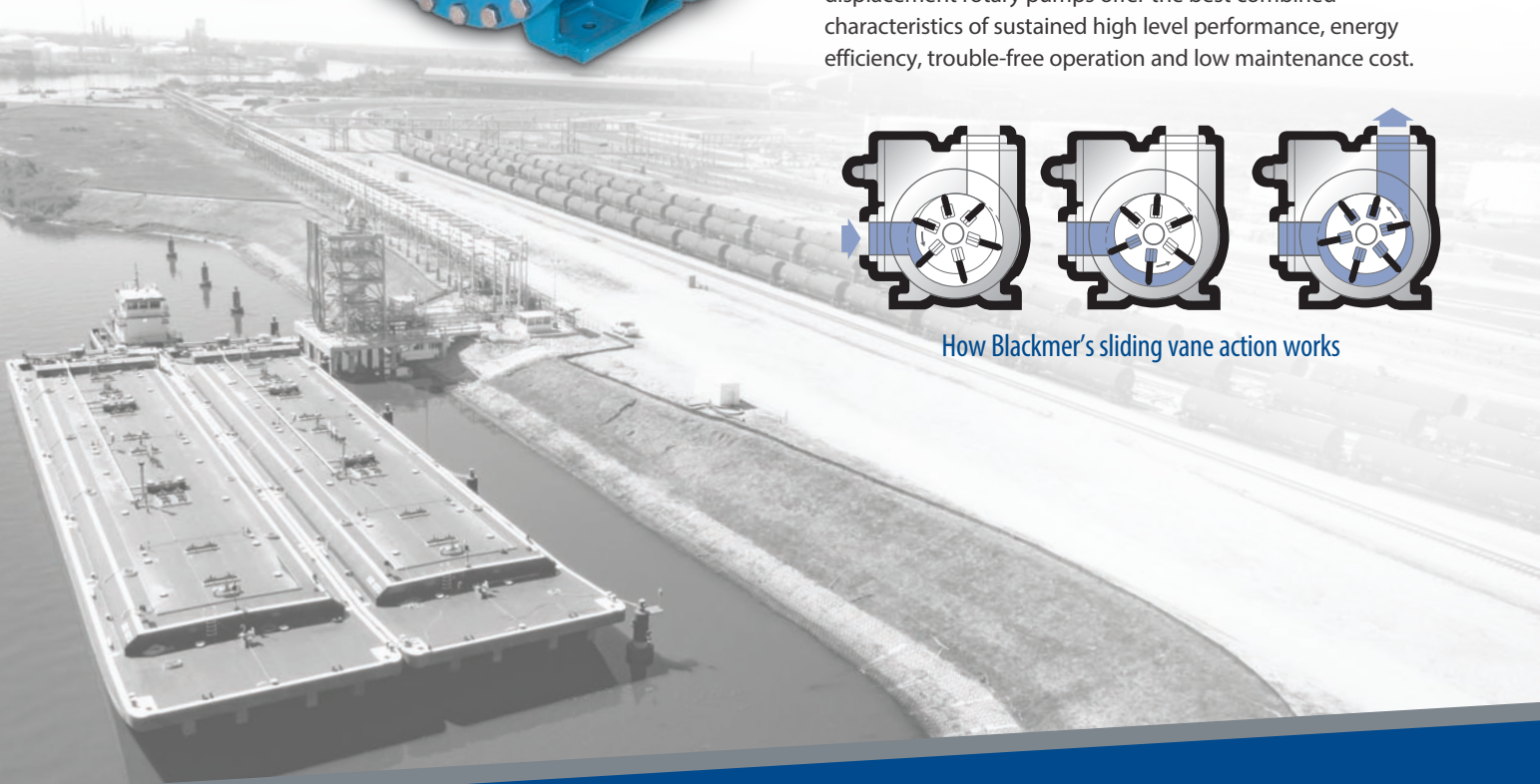
The Blackmer CRL8 is for high capacity CO<sub>2</sub> applications such as a charge pump in CO<sub>2</sub> injection well fracturing, terminal operations, barge and ship loading, and off-loading applications.

### Benefits

Utilizing Blackmer's unique sliding vane design, these positive displacement rotary pumps offer the best combined characteristics of sustained high level performance, energy efficiency, trouble-free operation and low maintenance cost.



How Blackmer's sliding vane action works





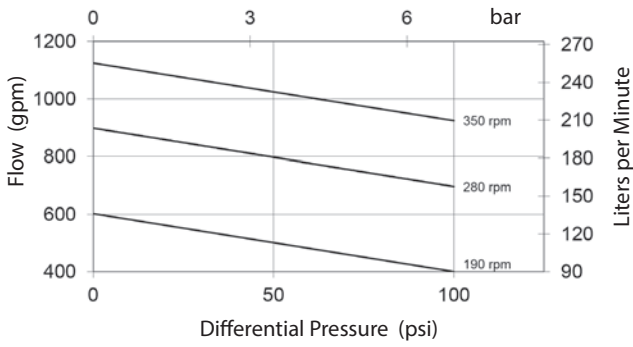
# CRL8 Pump

## Liquid CO<sub>2</sub> Transfer, Ductile Iron

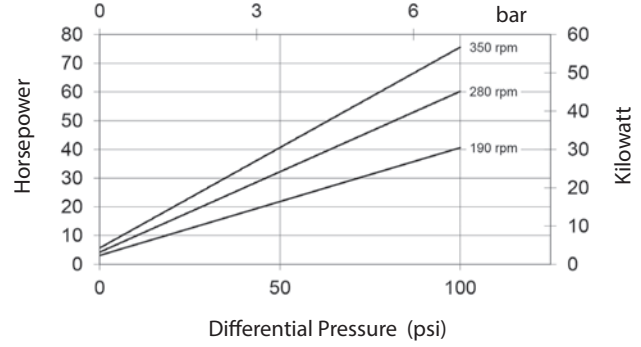
### Maximum Operating Limits

Pump Model	Differential Pressure		Nominal Flowrate		Minimum Temperature		Working Pressure		Pump Speed
	psi	bar	gpm	L/min	°F	°C	psi	bar	rpm
CRL8	100	6.8	1,020	3,860	-30	-34	400	27.58	350

### FLOW

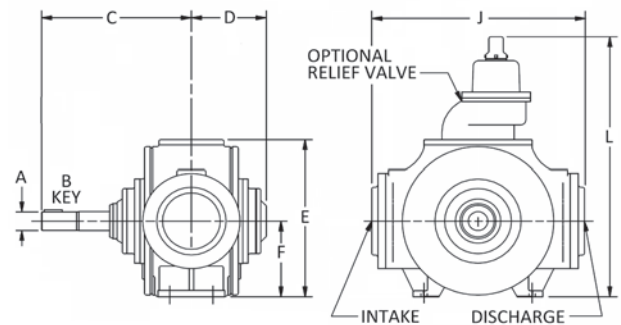


### POWER



### Dimensions

Pump Model	A	B	C	D	E	F	J	L	Approx. Wt.	
CRL8	in.	2 <sup>5</sup> / <sub>8</sub>	3 <sup>5</sup> / <sub>8</sub>	22 <sup>1</sup> / <sub>4</sub>	10 <sup>3</sup> / <sub>8</sub>	22 <sup>3</sup> / <sub>4</sub>	10 <sup>3</sup> / <sub>4</sub>	29 <sup>1</sup> / <sub>2</sub>	36 <sup>7</sup> / <sub>8</sub>	1,010 lbs.
	mm	-	-	565	264	578	273	749	937	458 kg



Process | Energy | Military & Marine  
 PSG Grand Rapids  
 1809 Century Avenue SW, Grand Rapids, MI 49503-1530 USA  
 T 616.241.1611 • F 616.241.3752  
[blackmer.com](http://blackmer.com)



Authorized PSG® Partner: