

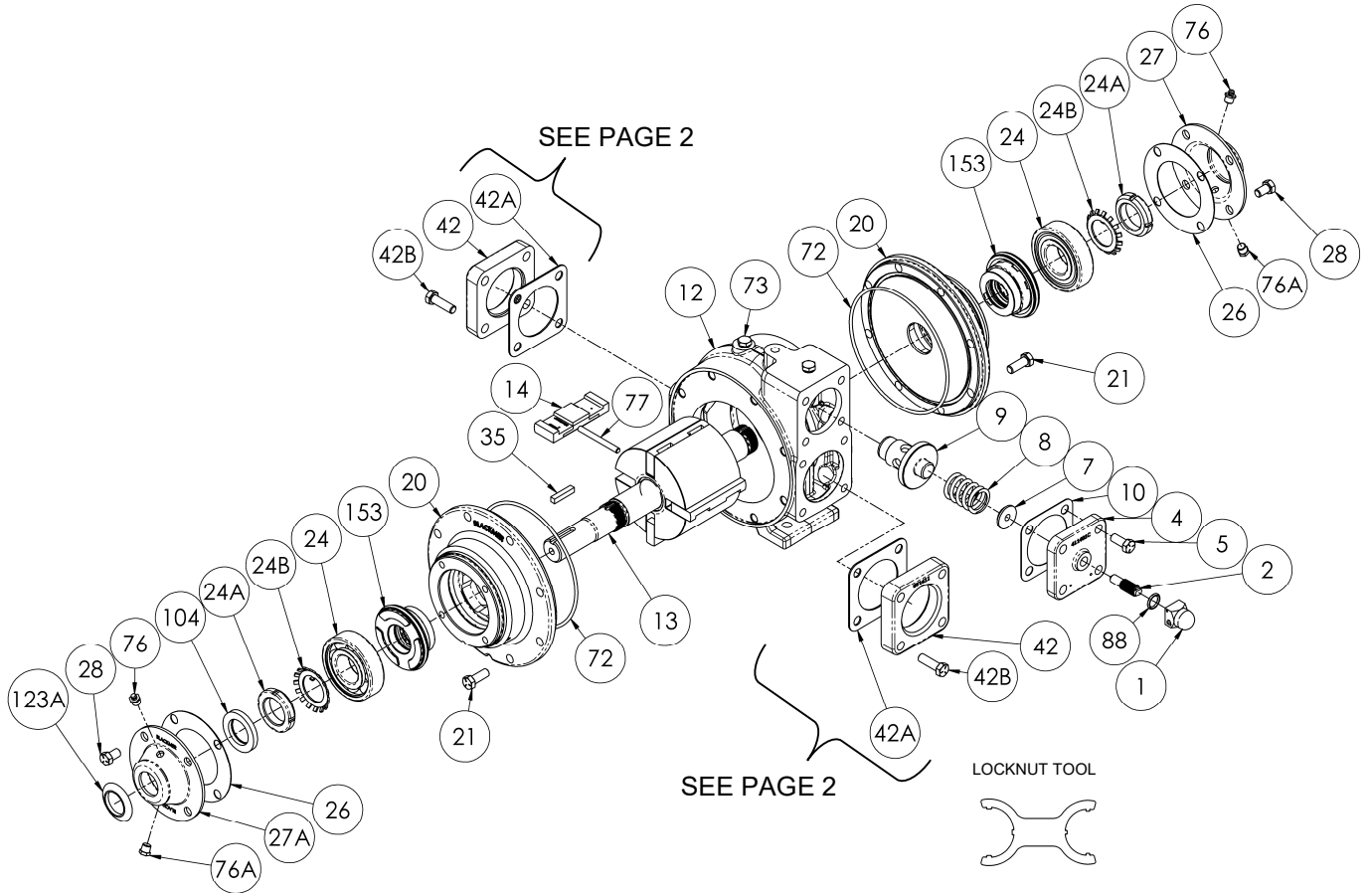
BLACKMER PARTS LIST

PUMP MODEL: XH2B

961910 **PARTS LIST**
Page 1 of 2 **101-B15**

Keep with Instructions 101-B00 for Installation, Operation and Maintenance

Section 101
Effective Aug. 2022
Replaces Oct. 2015



Ref. No.	Description	Parts per Pump	Part No.	Ref. No.	Description	Parts per Pump	Part No.
1	Cap - Relief Valve (R/V)	1	411453	24A	Locknut – Bearing	2	⁴ 903521
2	Adjusting Screw - R/V	1	431401	24B	Lock Washer – Bearing	2	⁴ 903522
4	Cover - R/V	1	411401	26	Gasket - Bearing Cover	2	¹ 383940
5	Capscrew - R/V Cover	4	920316	27	Bearing Cover - Outboard	1	041433
7	Spring Guide - R/V	1	423955	27A	Bearing Cover - Inboard	1	041431
8	Spring - R/V (36-50 psi)	1	471415	28	Capscrews - Bearing Cover	8	920285
	Spring - R/V (51-75 psi)		471420	35	Key – Shaft, Square	1	^{1,2} 909209
	Spring - R/V (76-110 psi)		471425	42	Flange Options	See Page 2	
	Spring - R/V (111-125 psi)		471428	42A	Gasket		
	SS Spring - R/V (76-110 psi)		471427	42B	Capscrews		
9	Valve - R/V (Std.)	1	451417	72	O-Ring - Head (FKM) (Std.)	2	¹ 701914
	Valve - R/V (Nickel Plated)		451415		O-Ring - Head (PTFE)		702242
10	Gasket - R/V Cover	1	¹ 531403		O-Ring - Head (Buna-N)		701947
12	Cylinder	1	021435	73	Gage Plug	2	908198
13	Rotor & Shaft	1	³ 261426	76	Grease Fitting	2	317815
14	Vane - Duravane (Std.)	4	¹ 091419	76A	Grease Relief Fitting	2	701992
	Vane - EC Laminate		091429	77	Push Rod	2	¹ 123905
20	Head	2	031425	88	Gasket - R/V Cap	1	¹ 701981
21	Capscrews - Head	16	920331	104	Grease Seal	1	¹ 331918
24	Ball Bearing	2	¹ 903156	123A	Dirt Shield	1	¹ 701480
					Kit - Maintenance		898956
					Tool - Locknut		903091

¹ Included in Maintenance Kit

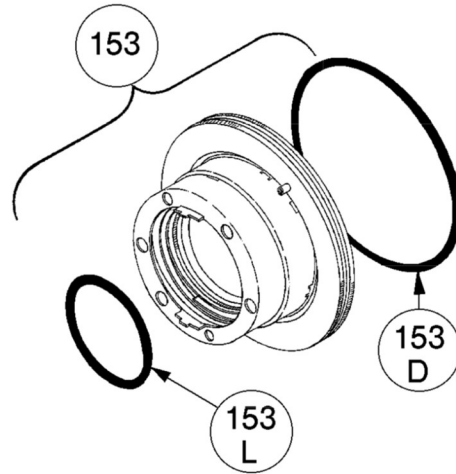
³ Includes 24A & 24B

SS = Stainless Steel.

EC = Extra-Clearance.

MECHANICAL SEALS

Ref. No.	Part Name	Parts Per Pump	Part No.
153	Mechanical Seal Complete - (Std.) Cast Iron Stationary Seat, Carbon Seal Face, FKM O-Rings. (IVCV)	2	¹ 331655
	Mechanical Seal Complete - Cast Iron Stationary Seat, PTFE O-Ring, Carbon Seal Face w/ PTFE Seal Ring. (IACT)		331673
	Mechanical Seal Complete - Stainless Steel Stationary Seat, PTFE O-Ring, Carbon Seal Face w/ PTFE Seal Ring. (WACT)		331648
	Mechanical Seal Complete - Cast Iron Stationary Seat, Carbon Seal Face, Buna-N O-Rings. (INCN)		331601
153D	O-Ring - Stationary (FKM)	2	701921
	O-Ring - Stationary (PTFE)		702056
	O-Ring - Stationary (Buna-N)		701934
153L	O-Ring - Rotating (FKM)	2	701980
	Seal Ring - Rotating (PTFE)		**
	O-Ring - Rotating (Buna-N)		701922



¹ Included in Maintenance Kit

**PTFE Rotating Seal Ring is not available as a separate part.

FLANGE OPTIONS

Ref. No.	Part Name	Parts Per Pump	Part No.
42	Flange - 2" NPT (Std.)	2	651411
	Flange - 2" ANSI		651417
	Flange - 2" Weld		654405
42A	Gasket - NPT Flange (Std.)	2	¹ 381421
42B	Capscrews - NPT Flange (Std.)	8	920351
	Capscrews - Weld / ANSI Flange		920384
42C	O-Ring - Weld/ANSI Flange (FKM)	0 - 2	701921
	O-Ring - Weld/ANSI Flange(PTFE)		702056
	O-Ring - Weld/ANSI Flange(Buna-N)		701934

¹ Included in Maintenance Kit

