

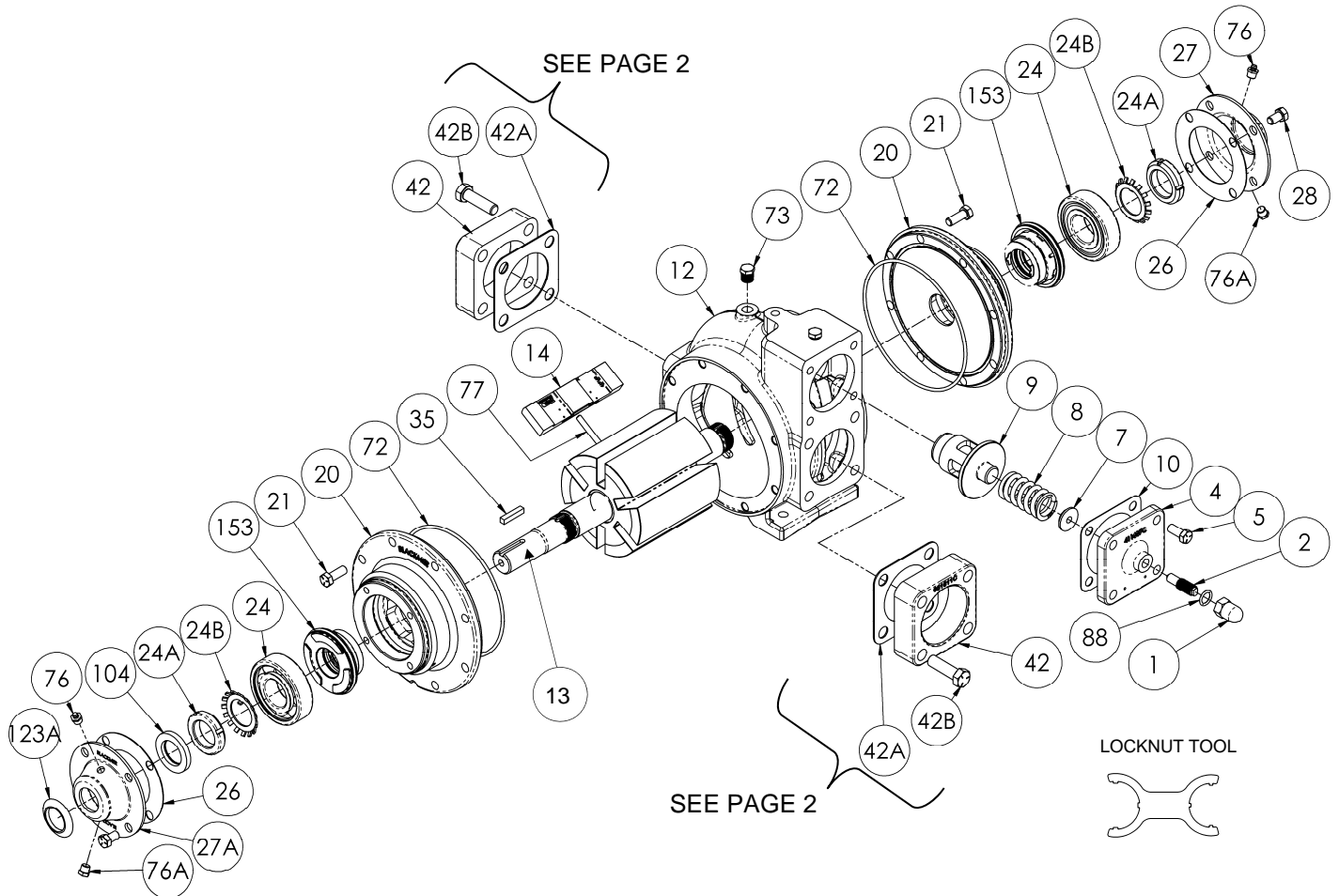
# BLACKMER PARTS LIST

## PUMP MODEL: XH2.5B

961911      **PARTS LIST**  
Page 1 of 2      **101-B16**

Keep with Instructions 101-B00 for Installation, Operation and Maintenance

Section	101
Effective	Oct. 2015
Replaces	New



Ref. No.	Description	Parts per Pump	Part No.	Ref. No.	Description	Parts per Pump	Part No.		
1	Cap - Relief Valve (R/V)	1	411453	24A	Locknut – Bearing	2	903521		
2	Adjusting Screw - R/V	1	431401	24B	Lockwasher – Bearing	2	<sup>1</sup> 903522		
4	Cover - R/V	1	411607	26	Gasket - Bearing Cover	2	<sup>1</sup> 383940		
5	Capscrew - R/V Cover	4	920316	27	Bearing Cover – Outboard	1	041433		
7	Spring Guide - R/V	1	423955	27A	Bearing Cover – Inboard	1	041431		
8	Spring - R/V (41-50 psi)**	1	471608	28	Cap screws - Bearing Cover	8	920285		
	Spring - R/V (51-110 psi)		471631	35	Key – Shaft, Square		<sup>1,2</sup> 909209		
	Spring - R/V (111-125 psi)		471614	42	Flange Options		See Page 2		
9	Valve, R/V (41-50 psi)**	1	451609	42A	Gasket	2		<sup>1</sup> 701914	
	Valve, R/V (51-125 psi) (Std.)		451623	42B	Cap screws				<sup>1</sup> 702242
	Valve, R/V (51-125 psi) (Nickel Plated)		451624	72	O-Ring - Head (FKM) (Std.)		701947		
10	Gasket - R/V Cover	1	<sup>1</sup> 531603	72	O-Ring - Head (PTFE)	2	<sup>1</sup> 701947		
12	Cylinder	1	021635	73	Gage Plug			2	908198
13	Rotor & Shaft Assembly	1	261667	76	Grease Fitting			2	317815
	EC Rotor & Shaft Assembly (Both R/S Include Ref. No. 24A & 24B)		261669	76A	Grease Relief Fitting	2	701992		
14	Vane - Duravane (Std.)	6	<sup>1</sup> 091619	77	Push Rod	3	<sup>1</sup> 121607		
	Vane - EC Cast Iron		091621	88	Gasket - R/V Cap	1	<sup>1</sup> 701981		
	Vane - EC Laminate		091627	104	Grease Seal	1	<sup>1</sup> 331918		
20	Head	2	031425	123A	Dirt Shield	1	<sup>1</sup> 701480		
21	Cap screws - Head	16	920331		Tool - Locknut		903091		
24	Ball Bearing	2	<sup>1</sup> 903156		Kit - Maintenance		898957		

<sup>1</sup> Included in Maintenance Kit

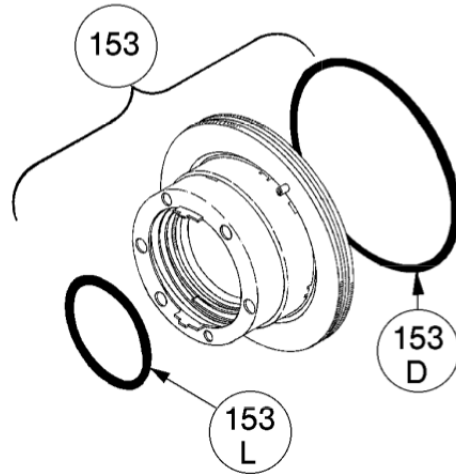
SS = Stainless Steel.

EC = Extra-Clearance.

\*\* R/V Spring p/n 471608 and Valve p/n 451609 MUST be used together to achieve listed pressures.

**MECHANICAL SEALS**

Ref. No.	Part Name	Parts Per Pump	Part No.
153	Mechanical Seal Complete - (Std.) Cast Iron Stationary Seat, Carbon Seal Face, FKM O-Rings. (IVCV)	2	<sup>1</sup> 331655
	Mechanical Seal Complete - Cast Iron Stationary Seat, PTFE O-Ring, Carbon Seal Face w/ PTFE Seal Ring. (IACT)		331673
	Mechanical Seal Complete - Stainless Steel Stationary Seat, PTFE O-Ring, Carbon Seal Face w/ PTFE Seal Ring. (WACT)		331648
	Mechanical Seal Complete - Cast Iron Stationary Seat, Carbon Seal Face, Buna-N O-Rings. (INCN)		331601
153D	O-Ring - Stationary (FKM) O-Ring - Stationary (PTFE) O-Ring - Stationary (Buna-N)	2	701921 702056 701934
153L	O-Ring - Rotating (FKM) Seal Ring - Rotating (PTFE) O-Ring - Rotating (Buna-N)	2	701980 ** 701922



<sup>1</sup> Included in Maintenance Kit

\*\*PTFE Rotating Seal Ring is not available as a separate part.

**FLANGE OPTIONS**

Ref. No.	Part Name	Parts Per Pump	Part No.
42	Flange - 2 1/2" NPT (Std.)	2	651611
	Flange - 2 1/2" Weld		651610
	Flange - 3" ANSI		651617
42A	Gasket - NPT Flange (Std.)	2	<sup>1</sup> 381650
42B	Capscrews - NPT Flange (Std.)	8	920532
	Capscrews - Weld / ANSI Flange		920491
42C	O-Ring - Weld/ANSI Flange (FKM)	0 - 2	701924
	O-Ring - Weld/ANSI Flange (PTFE)		702079
	O-Ring - Weld/ANSI Flange (Buna-N)		701925

<sup>1</sup> Included in Maintenance Kit

