

BLACKMER PARTS LIST

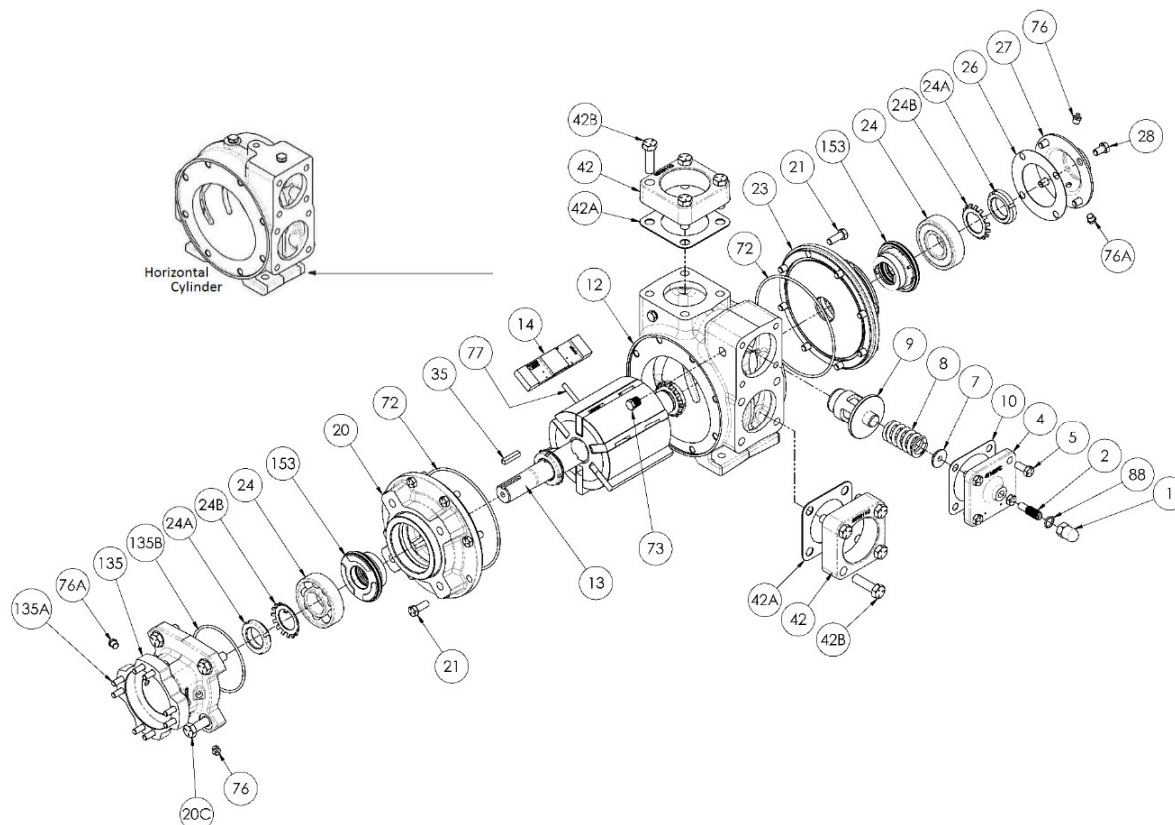
PUMP MODEL: GNX2.5A, GNXH2.5A

961623
Page 1 of 2

PARTS LIST
101-C02

Keep with Instructions 101-C00 for Installation, Operation and Maintenance

Section	101
Effective	Oct 2021
Replaces	July 2020



Ref. No.	Description	Parts per Pump	Part No.	Ref. No.	Description	Parts per Pump	Part No.
1	Cap - Relief Valve (R/V)	1	411452	24	Ball Bearing	2	¹ 903156
2	Adjusting Screw - R/V	1	431401	24A	Locknut	2	903521
4	Cover - R/V	1	411607	24B	Lockwasher	2	¹ 903522
5	Capscrew - R/V Cover	4	920316	26	Gasket - Bearing Cover	1	¹ 383940
7	Spring Guide - R/V	1	423955	27	Bearing Cover	1	041433
8	Spring - R/V (41-50 psi) †	1	471608	28	Capscrews - Bearing Cover	4	920285
	Spring - R/V (51-110 psi) (Std.)		471631	35	Key, Shaft	1	909209
	Spring - R/V (111-125 psi)		471614	42	Flange - 2½" NPT (Std.)*	2	651611
9	Valve - R/V (41-50 psi) †	1	451609	42A	Gasket - NPT Flange (Std.)	2	¹ 381650
	Valve - R/V (51-125 psi) (Std.)		451623	42B	Capscrews - NPT Flange (Std.)	8	920532
	Valve - R/V (51-125 psi) (Nickel Plated)		451624	72	O-Ring - Head (FKM) (Std.)	2	¹ 701914
10	Gasket - R/V Cover	1	¹ 531603		O-Ring - Head (PTFE)		702242
12	Cylinder	1	021605		O-Ring - Head (Buna-N)		701947
	Cylinder, Horizontal		021635	73	Gage Plug	2	908198
13	Rotor & Shaft	1	261667	76	Grease Fitting	1	317815
14	Vane - Duravane (Std.)	6	¹ 091619	76A	Grease Relief Fitting	1	701992
	Vane - EC Cast Iron		091621	77	Push Rod	3	¹ 121607
	Vane - EC Laminate		091627	88	Gasket - R/V Cap	1	¹ 701981
20	Head - Inboard	1	031427	135	Pump Adapter Machining	1	833990
20C	Capscrews - Clamp	4	920510	135A	Hex Head Capscrew (Metric)	4	920028
21	Capscrews - Head	16	920331	135B	O-Ring	1	701991
23	Head - Outboard	1	031425	-	Kit - Maintenance	-	898909

¹ Included in Maintenance Kit

SS = Stainless Steel.

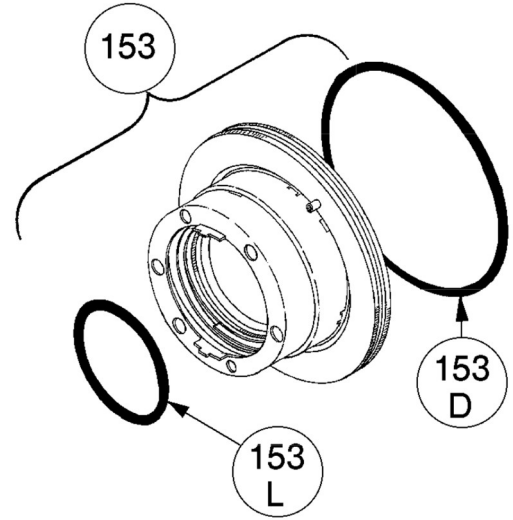
EC = Extra-Clearance.

† RV Spring p/n 471608 must be used with Valve p/n 451609 to achieve listed pressures.

* See Page 2 for Weld / ANSI flange options.

MECHANICAL SEALS

Ref. No.	Part Name	Parts Per Pump	Part No.
153	Mechanical Seal Complete - (Std.) Cast Iron Stationary Seat, Carbon Seal Face, FKM O-Rings. (IVCV)	2	¹ 331655
	Mechanical Seal Complete - Cast Iron Stationary Seat, PTFE O-Ring, Carbon Seal Face w/ PTFE Seal Ring. (IACT)		331673
	Mechanical Seal Complete - Stainless Steel Stationary Seat, PTFE O-Ring, Carbon Seal Face w/ PTFE Seal Ring. (WACT)		331648
	Mechanical Seal Complete - Cast Iron Stationary Seat, Carbon Seal Face, Buna-N O-Rings. (INCN)		331601
153D	O-Ring - Stationary (FKM)	2	701921
	O-Ring - Stationary (PTFE)		702056
	O-Ring - Stationary (Buna-N)		701934
153L	O-Ring - Rotating (FKM)	2	701980
	Seal Ring - Rotating (PTFE)		**
	O-Ring - Rotating (Buna-N)		701922

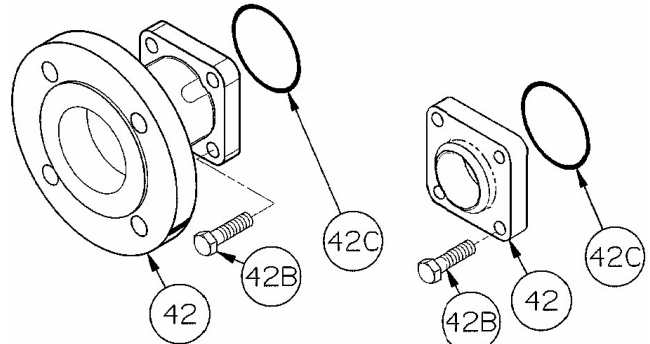


¹ Included in Maintenance Kit

**PTFE Rotating Seal Ring is not available as a separate part.

FLANGE OPTIONS

Ref. No.	Part Name	Parts Per Pump	Part No.
42	Flange - 2½" Weld	2	651610
	Flange - 3" ANSI		651617
42B	Capscrews - Weld / ANSI Flange	8	920491
42C	O-Ring - Weld/ANSI Flg. (FKM)	2	701924
	O-Ring - Weld/ANSI Flg. (PTFE)		702079
	O-Ring - Weld/ANSI Flg (Buna-N)		701925



ANSI FLANGE

WELD FLANGE

