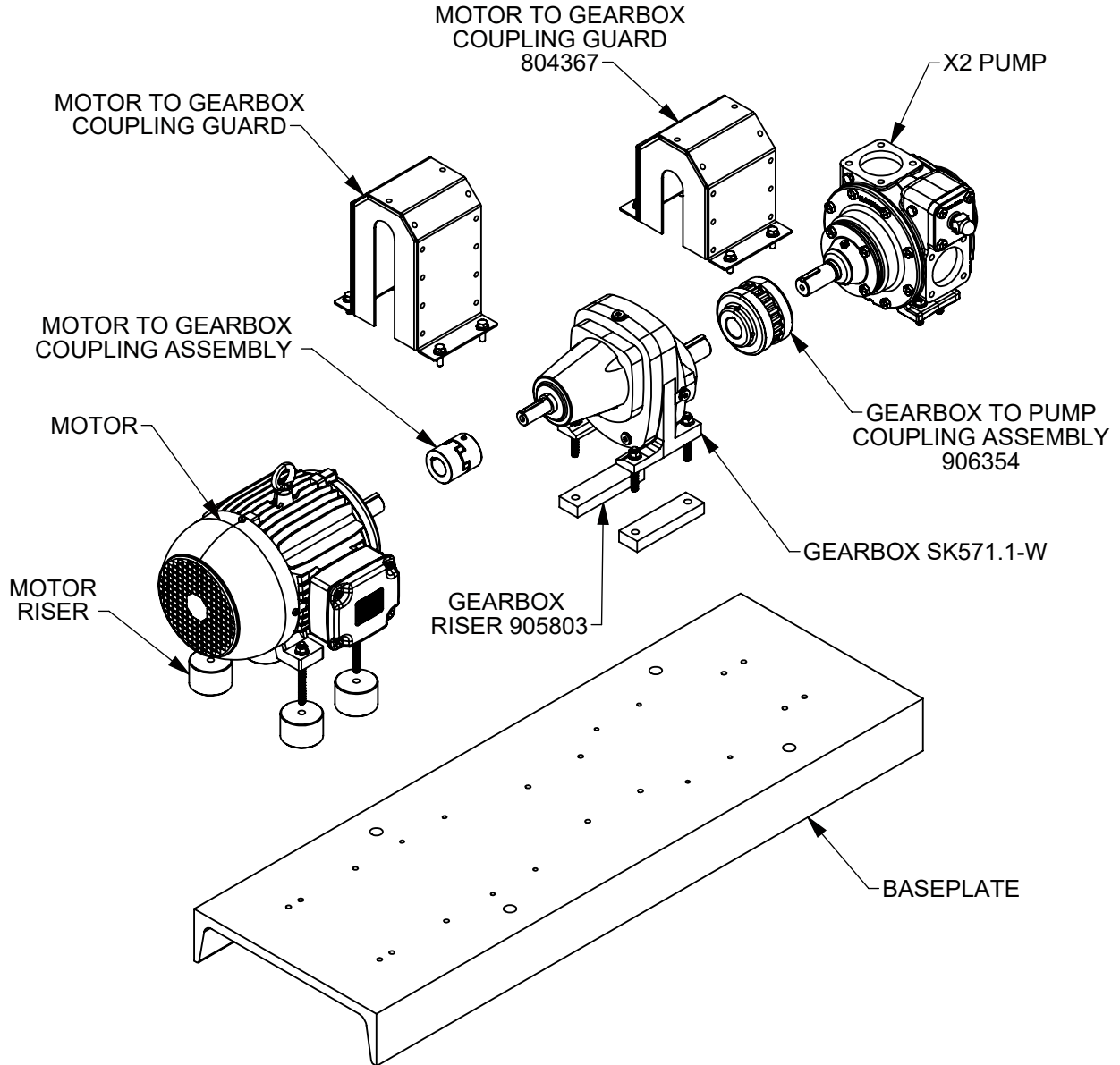




TYPE	SIZE	UNIT STYLE	PARTS LIST 101-H11	
			Section Effective Replaces Page 1 / 1	101 Dec 2023 Sept 2023
X	2	SK571		

RIGHT HAND ROTATION SHOWN. FOR LEFT HAND ROTATION, SHAFT IS OPPOSITE THAT SHOWN.

MOUNTING STYLE: LONG COUPLED



NORD SK571.1-W GEARBOX PART NUMBERS			BASEPLATE AND MOTOR RISER PART NUMBERS		
RATIO	SPEEDS 60Hz/50Hz	PART NUMBER	MOTOR FRAME	BASEPLATE	MOTOR RISER
2.23:1	785 RPM / 650 RPM	813141	182T/184T	901465	905814
2.50:1	700 RPM / 580 RPM	813142	213T/215T	901467	905820
2.82:1	621 RPM / 514 RPM	803101	COUPLING AND GUARD PART NUMBER		
3.42:1	512 RPM / 424 RPM	803102	MOTOR FRAME	MOTOR TO GEARBOX COUPLING ASSY	MOTOR TO GEARBOX COUPLING GUARD
4.38:1	400 RPM / 331 RPM	803103	182T/184T	906310	804308
5.46:1	321 RPM / 266 RPM	803104	213T/215T	906311	804317
5.99:1	292 RPM / 242 RPM	803105			
7.42:1	236 RPM / 195 RPM	803106			
9.51:1	184 RPM / 152 RPM	803107			