

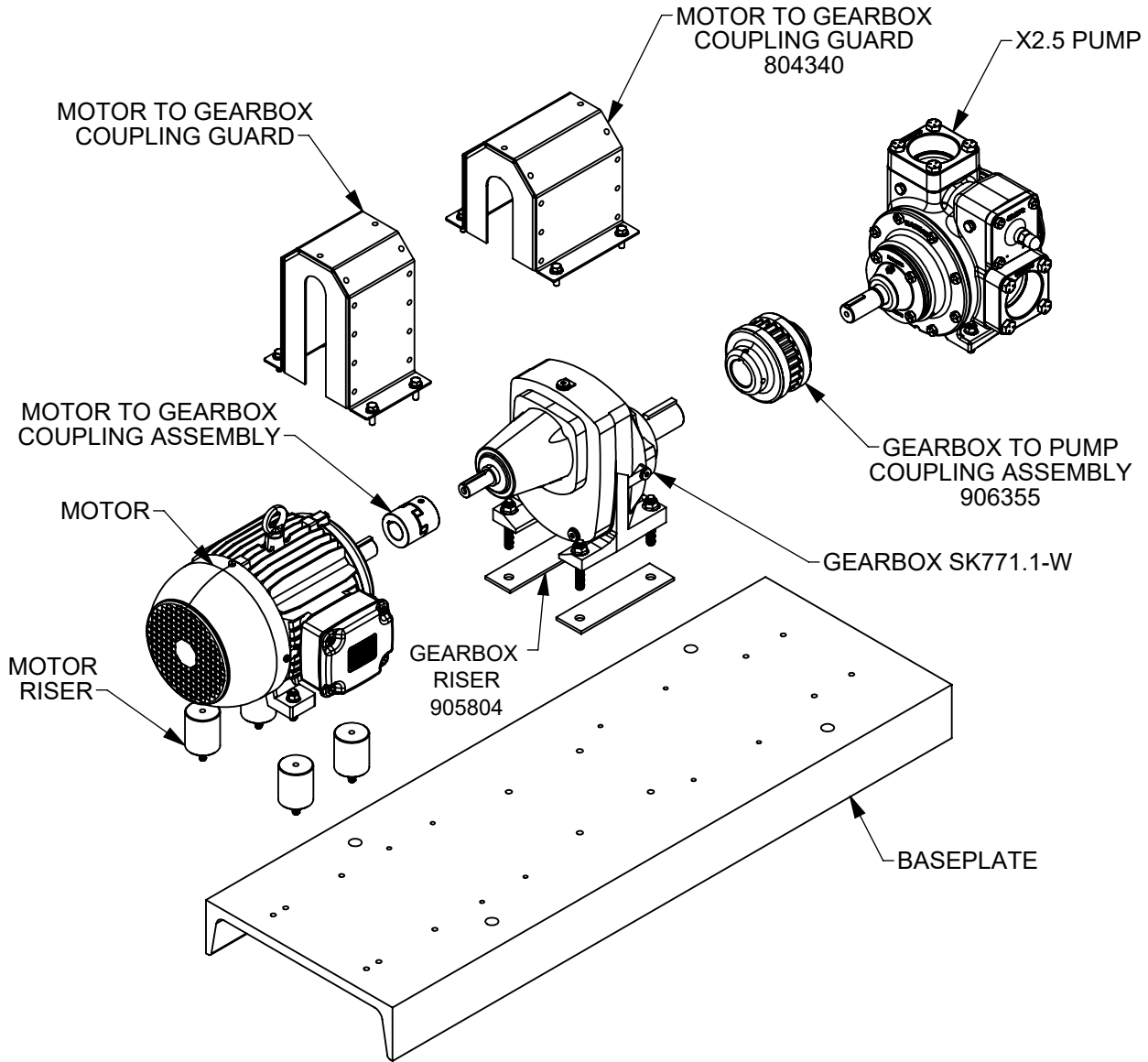


TYPE	SIZE	UNIT STYLE
X	2.5	SK771

PARTS LIST 101-H12	
Section Effective Replaces Page 1 / 1	101 Dec 2023 Sept 2023

RIGHT HAND ROTATION SHOWN. FOR LEFT HAND ROTATION, SHAFT IS OPPOSITE THAT SHOWN.

MOUNTING STYLE: LONG COUPLED



NORD SK771.1-W GEARBOX PART NUMBERS			BASEPLATE AND MOTOR RISER PART NUMBERS		
RATIO	SPEEDS 60Hz/50Hz	PART NUMBER	MOTOR FRAME	BASEPLATE	MOTOR RISER
2.15:1	NA / 674 RPM	813131	182T/184T	901466	905810
2.65:1	660 RPM / 547 RPM	803108	213T/215T	901468	905814
3.38:1	518 RPM / 429 RPM	803109	254T/256T	901470	905821
3.75:1	467 RPM / 387 RPM	813132	COUPLING AND GUARD PART NUMBER		
4.14:1	423 RPM / 350 RPM	803110	MOTOR FRAME	MOTOR TO GEARBOX COUPLING ASSY	MOTOR TO GEARBOX COUPLING GUARD
4.96:1	353 RPM / 292 RPM	803111	182T/184T	906310	804308
5.41:1	323 RPM / 268 RPM	803112	213T/215T	906311	804317
6.23:1	281 RPM / 233 RPM	803113	254T/256T	906309	804349
7.68:1	228 RPM / 189 RPM	803114			
8.5:1	206 RPM / 171 RPM	803115			