

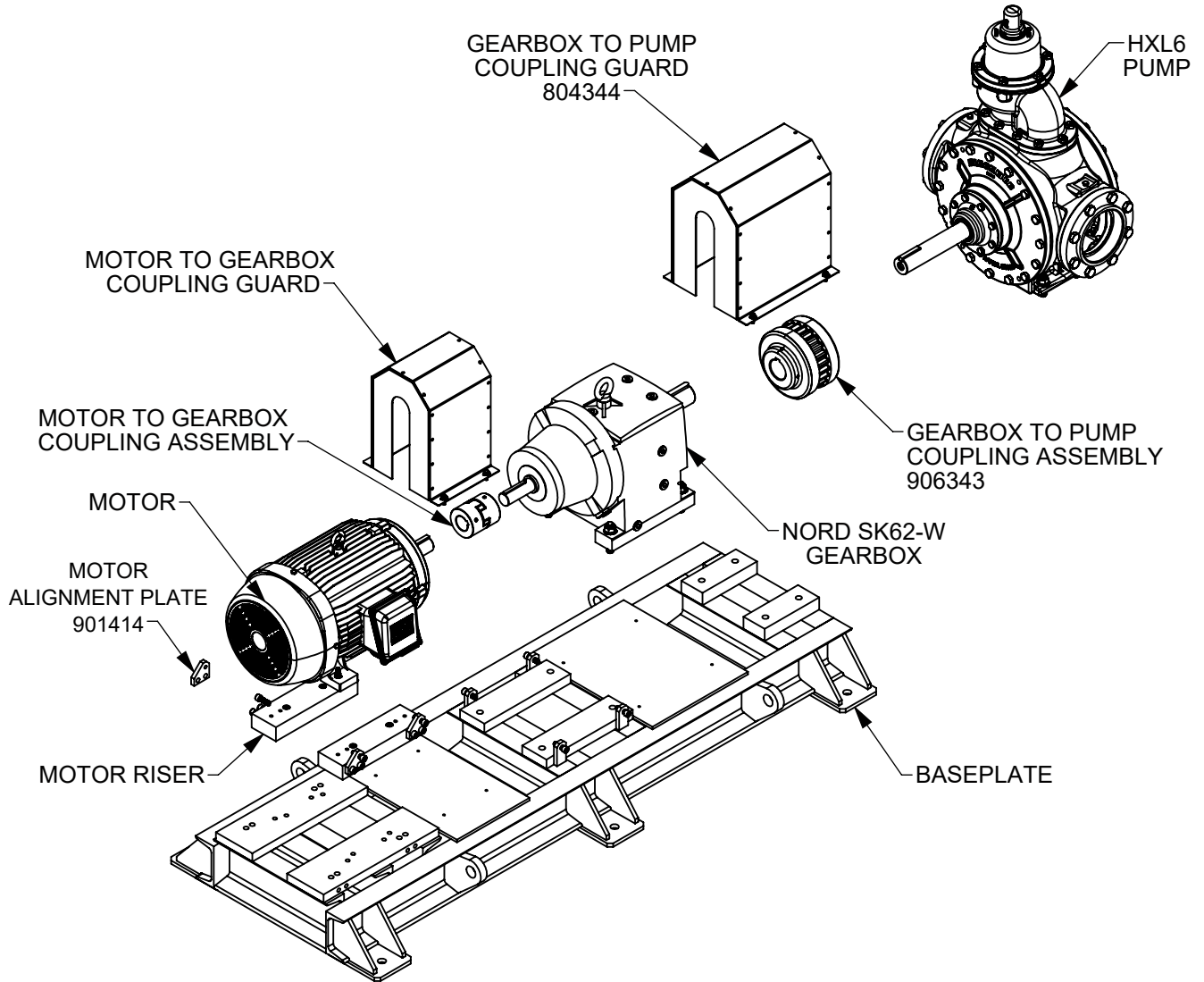


| | | |
|------------|----------|-------------|
| TYPE | SIZE | UNIT STYLE |
| HXL | 6 | SK62 |

| | |
|---------------------------------------|------------------------------|
| PARTS LIST 102-H11 | |
| Section Effective Replaces Page 1 / 1 | 102 Dec 2023 Sept 2023 |

RIGHT HAND ROTATION. FOR LEFT HAND ROTATION, SHAFT PROJECTION IS OPPOSITE THAT SHOWN.

MOUNTING STYLE: LONG COUPLED



| BASEPLATE AND MOTOR RISER PART NUMBERS | | |
|--|--------------------------------|---------------------------------|
| MOTOR FRAME | BASEPLATE | MOTOR RISER |
| 284T/286T | 901454 | 905832 |
| 324T/326T | | 905834 |
| 364T/365T | | --- |
| COUPLING AND GUARD PART NUMBER | | |
| MOTOR FRAME | MOTOR TO GEARBOX COUPLING ASSY | MOTOR TO GEARBOX COUPLING GUARD |
| 284T/286T | 906323 | 804328 |
| 324T/326T | 906324 | 804328 |
| 364T/365T | 906342 | 804328 |

| NORD SK62-W GEARBOX PART NUMBERS | | |
|----------------------------------|---------------------|-------------|
| RATIO | SPEEDS 60Hz/50Hz | PART NUMBER |
| 4.56:1 | NA / 318 RPM | 813162 |
| 6.35:1 | 276 RPM / 228 RPM | 813163 |
| 7.56:1 | 231 RPM / 192 RPM | 813143 |
| 8.78:1 | 199 RPM / 165 RPM | 813144 |
| 10.55:1 | 165 RPM / 137 RPM | 813145 |
| 11.59:1 | 151 RPM / 125 RPM | 813146 |