

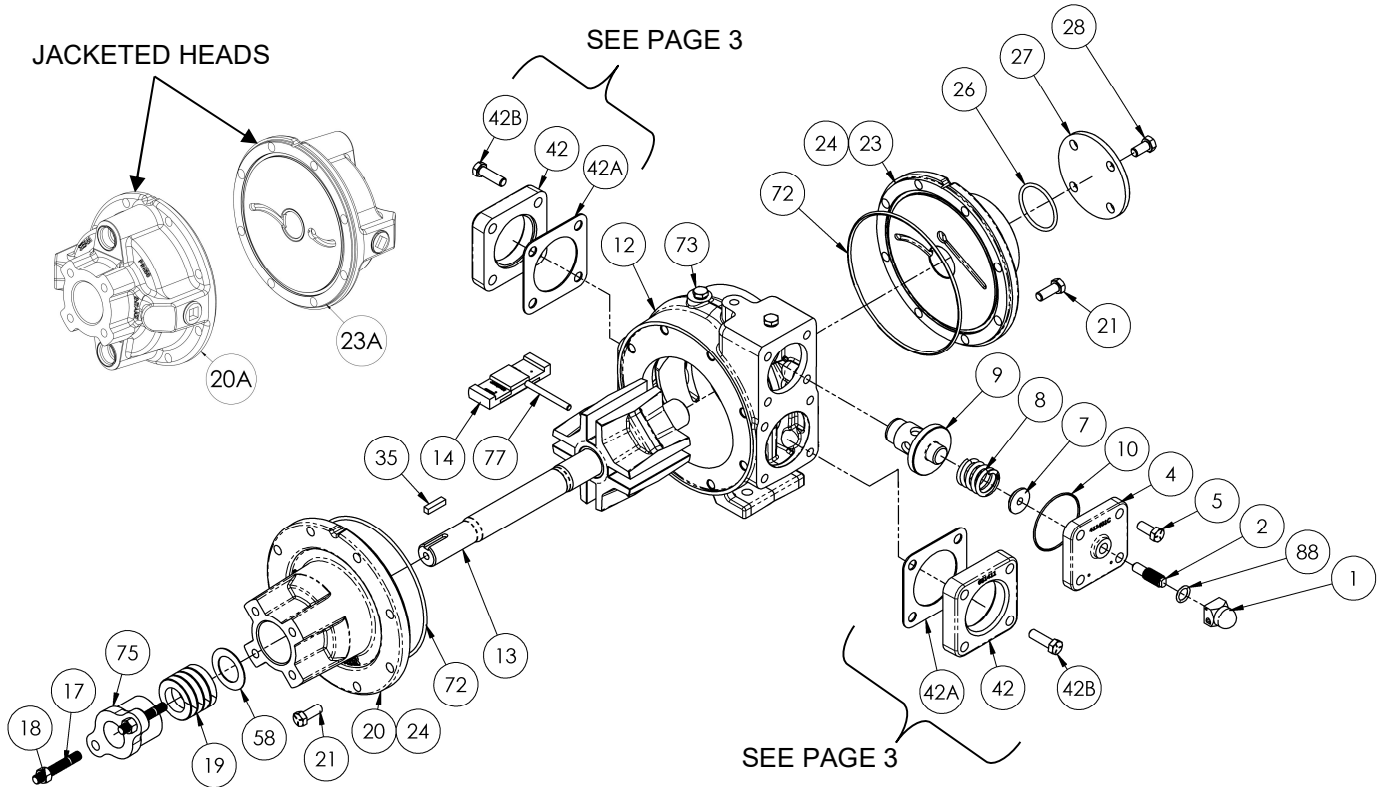
BLACKMER PARTS LIST

PUMP MODEL: NPH2F

961909 **PARTS LIST**
Page 1 of 3 **103-A12**

Keep with Instructions 103-A00 for Installation, Operation and Maintenance

Section | 103
Effective | Aug. 2022
Replaces | Oct. 2015



Ref. No.	Description	Parts per Pump	Part No.	Ref. No.	Description	Parts per Pump	Part No.
1	Cap – Relief Valve (R/V)	1	411453	20	Head & Bushing Asy. - Inboard	1	031476
2	Adjusting Screw – R/V	1	431401	20A	Head & Busing Asy. – Inboard (Jacket)	1	031472
4	Cover – R/V (Std.)	1	411469	21	Capscrews - Head	16	920341
	Cover – R/V ^{1, 5}		411468	23	Head & Bushing Asy. - Outboard	1	031477
5	Capscrew – R/V Cover (Std.)	4	920316	23A	Head & Bushing Asy. – Outboard (Jacket)	1	031473
	Capscrew – R/V Cover ^{1, 5}		920401	24	Bushing (Sleeve Bearing)	2	⁴ 161400
7	Spring Guide – R/V	1	423955	26	O-Ring – Bearing Cover (FKM) (Std.)	1	⁴ 702209
8	Spring – R/V (36-50 psi)	1	471415		O-Ring – Bearing Cover (PTFE)		702126
	Spring – R/V (51-75 psi)		471420		O-Ring - Bearing Cover (Buna-N) ⁵		701929
	Spring – R/V (76-110 psi)		471425	27	Bearing Cover	1	041400
	Spring – R/V (111-150 psi)		471428	28	Capscrews – Flange	4	920291
	SS Spring – R/V (51-75 psi)		471418	35	Key Shaft	1	⁴ 909160
	SS Spring – R/V (76-110 psi)		471427	42	Flange Options	See Page 3	
	SS Spring – R/V (111-150 psi)		471429		42A		Gasket
SS Spring – R/V (151-200 psi) ^{1, 5}	471468	42B	Capscrew				
9	Valve – R/V (Std.)	1	451417	72	O-Ring – Head (FKM) (Std.)	2	⁴ 702241
	Valve – R/V (Nickel Plated) ⁵		451415		O-Ring – Head (PTFE)		702242
10	O-Ring – R/V Cover (FKM) (Std.)	1	⁴ 702212		O-Ring – Head (Buna-N) ⁵		702022
	O-Ring – R/V Cover (PTFE)		702213	73	Gage Plug	2	908198
	O-Ring – R/V Cover (Buna-N) ⁵		702211	77	Push Rods	2	⁴ 123905
12	Cylinder		021435	88	Gasket – R/V Cap	1	⁴ 701981
13	Rotor & Shaft, Open Rotor (Shown)	1	261468	—	Kit — Maintenance	—	898929
	Rotor & Shaft, Closed Rotor (Opt.)		261475				
14	Vane – Duravane (Std.) ⁵	4	⁴ 091419	EC = Extra-Clearance SS = Stainless Steel			
	Vane – EC Laminate		091429	¹ Optional High Pressure Relief Valve - parts must be used as a group (includes p/n's 411468, 920401, and 471468).			
	Vane – EC Bronze		093924				

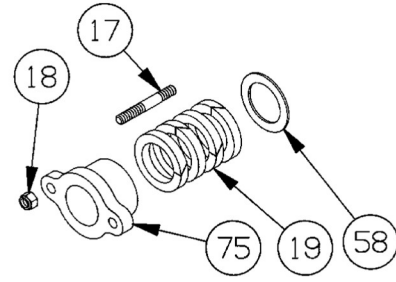
⁴ Included in Maintenance Kit

⁵ AFFF service pumps include: Nickel Pltd. High Press. RV, 200 psi RV spring, Buna O-rings, Cyl. w/ Drain, Lip Seal & Duravanes.

PACKING - STANDARD

Ref. No.	Part Name	Parts Per Pump	Part No.
17	Stud - Packing Follower	2	921450
18	Nut - Packing Follower Stud	2	922428
19	Packing Set	1	⁴ 321400
58	Pack Washer	1	351207
75	Packing Follower	1	141468

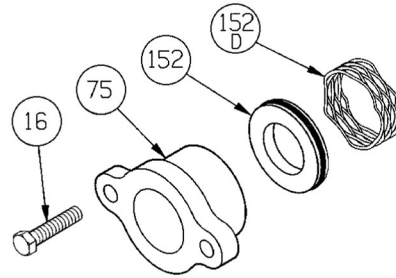
⁴ Included in Maintenance Kit



LIP SEAL – OPTIONAL ⁵

Ref. No.	Part Name	Parts Per Pump	Part No.
16	Capscrew - Follower	2	920295
75	Seal Follower	1	141468
152	Lip Seal Assembly (To 500°F)	1	702244
152D	Wave Spring	1	321401

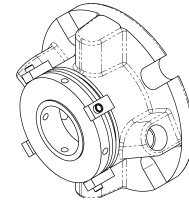
NOTE: A Commercial Mechanical Seal (Cartridge Type) can be used in place of packing or lip seals. Consult mechanical seal manufacturer for more information.



COMMERCIAL MECHANICAL SEAL (Cartridge Type) - OPTIONAL

Ref. No.	Part Name	Parts Per Pump	Part No.
-	John Crane 5610	1	331471

NOTE: Seal Materials (Sil-Car, Carbon, FKM)

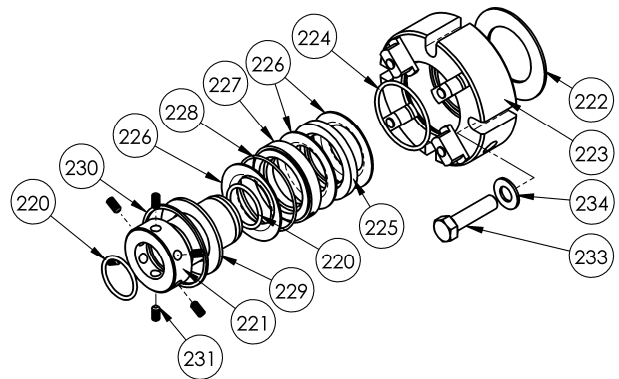


Commercial Mechanical Seal Cartridge Type

TRIPLE-LIP CARTRIDGE SEAL - OPTIONAL

Ref. No.	Part Name	Seal	Seal Rebuild Kit
—	TRIPLE-LIP CARTRIDGE SEAL	331773	899104
220	Shaft Sleeve O-Ring	2	X
221	Shaft Sleeve	1	
222	Gasket	1	X
223	Gland Plate Assembly	1	
224	Element O-Ring	1	X
225	Seal Spacer	1	X
226	Seal Element	3	X
227	Flushing Spacer	1	X
228	Flushing Spacer O-Ring	1	X
229	Retaining Ring	1	
230	Snap Ring	1	X
231	Shaft Sleeve Setscrews	6	X
233	Gland Capscrew	4	
234	Flat Washer	4	

X = Parts Included in Seal Rebuild Kit



FLANGE OPTIONS

Ref. No.	Part Name	Parts Per Pump	Part No.
42	Flange – ANSI 2" 150 lb. R.F.	2	651417
	Flange – 2" NPT (Std.)		651411
	Flange – 2" Weld		654405
42A	Gasket – NPT Flange (Comp.) (Std.)	2	4381421
42B	Capscrew – Flange	8	920351
42C	O-Ring – Flange (FKM)	0 - 2	701921
	O-Ring – Flange (PTFE)		702056
	O-Ring – Flange (Buna-N) ⁵		701934

