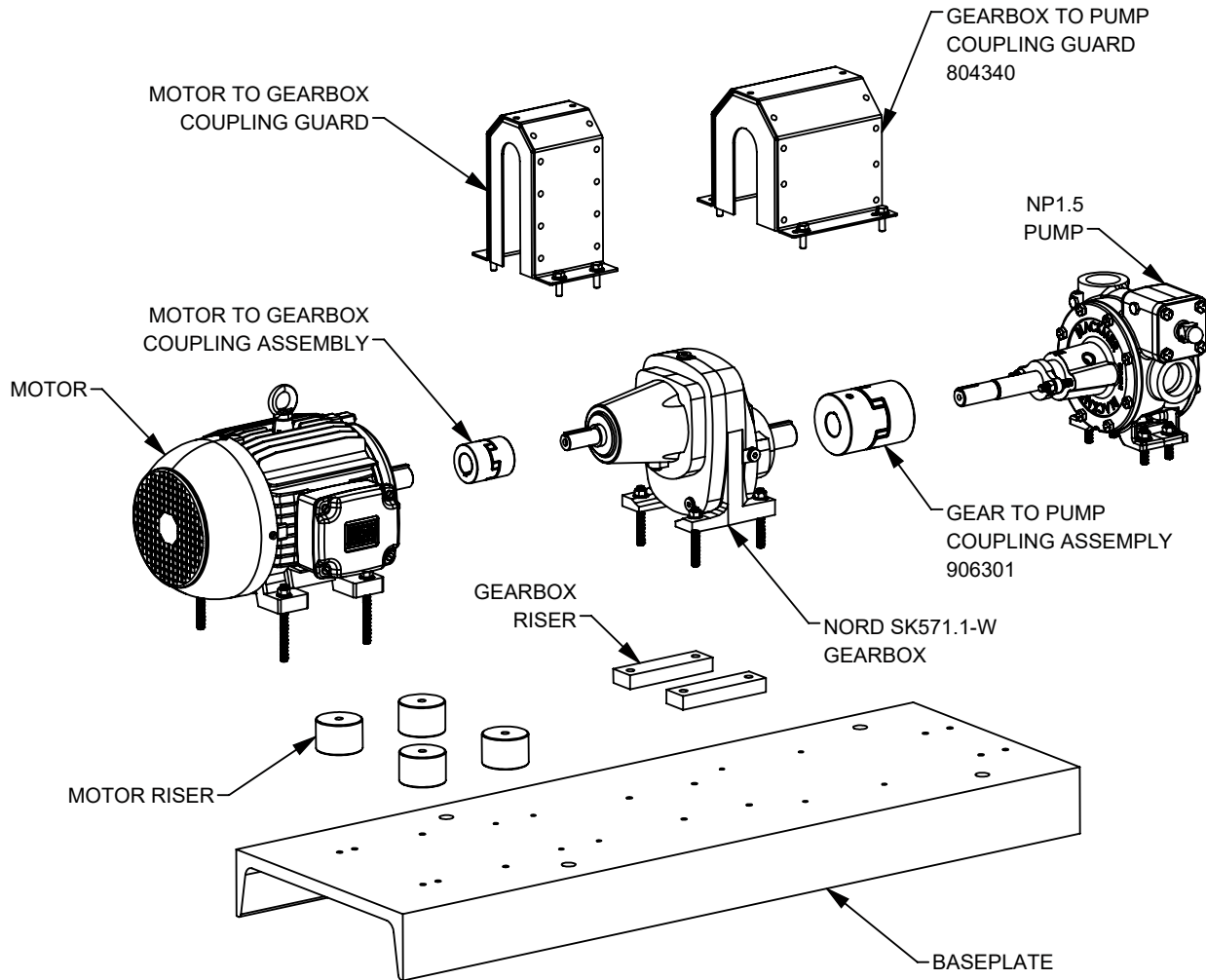




TYPE	SIZE	UNIT STYLE	DIMENSIONS 103-H11	
			Section Effective Replaces Page 1 / 1	103 Dec 2023 Sept 2023
NP	1.5	SK571		

RIGHT HAND ROTATION. FOR LEFT HAND ROTATION, SHAFT PROJECTION IS OPPOSITE THAT SHOWN.

MOUNTING STYLE: LONG COUPLED



NORD SK571.1-W GEARBOX PART NUMBERS			BASEPLATE AND MOTOR RISER PART NUMBERS		
RATIO	SPEEDS 60Hz/50Hz	PART NUMBER	MOTOR FRAME	BASEPLATE	MOTOR RISER
2.23:1	NA / 650 RPM	813141	143T/145T	901422	905809
2.50:1	NA / 580 RPM	813142	182T/184T	901428	905814
2.82:1	621 RPM / 514 RPM	803101	213T/215T	901435	905820
3.42:1	512 RPM / 424 RPM	803102	COUPLING AND GUARD PART NUMBER		
4.38:1	400 RPM / 331 RPM	803103	MOTOR FRAME	MOTOR TO GEARBOX COUPLING ASSY	MOTOR TO GEARBOX COUPLING GUARD
5.46:1	321 RPM / 266 RPM	803104	143T/145T	906306	804300
5.99:1	292 RPM / 242 RPM	803105	182T/184T	906310	804300
7.42:1	236 RPM / 195 RPM	803106	213T/215T	906311	804317
9.51:1	184 RPM / 152 RPM	803107			