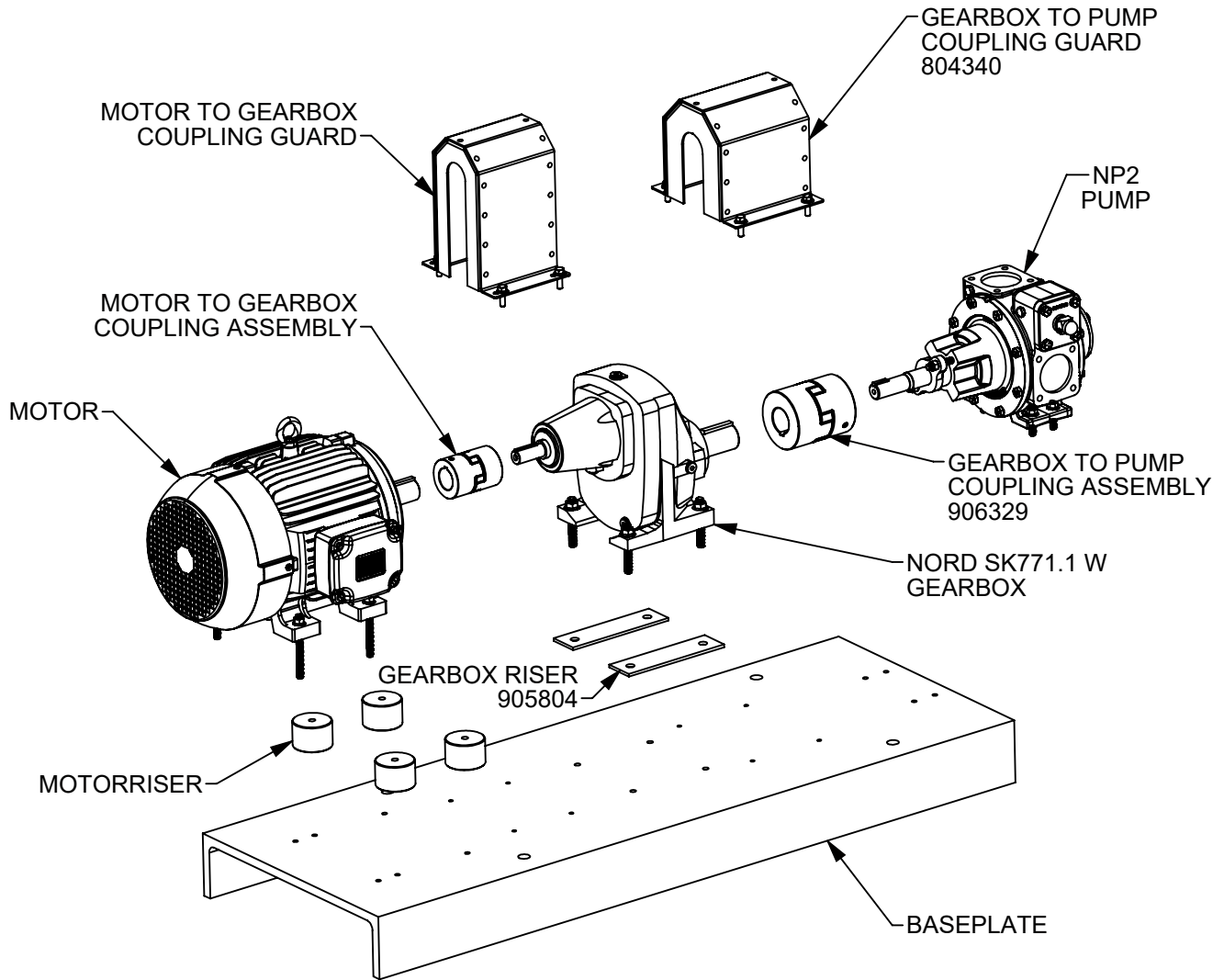




| | | | | |
|------|------|------------|---------------------------------------|------------------------------|
| TYPE | SIZE | UNIT STYLE | DIMENSIONS 103-H12 | |
| | | | Section Effective Replaces Page 1 / 1 | 103 Dec 2023 Sept 2023 |
| NP | 2 | SK771 | | |

RIGHT HAND ROTATION. FOR LEFT HAND ROTATION, SHAFT PROJECTION IS OPPOSITE THAT SHOWN.

MOUNTING STYLE: LONG COUPLED



| NORD SK771.1-W GEARBOX PART NUMBERS | | |
|-------------------------------------|---------------------|-------------|
| RATIO | SPEEDS 60Hz/50Hz | PART NUMBER |
| 2.65:1 | 660 RPM / 547 RPM | 803108 |
| 3.38:1 | 518 RPM / 429 RPM | 803109 |
| 3.75:1 | 467 RPM / 387 RPM | 813132 |
| 4.14:1 | 423 RPM / 350 RPM | 803110 |
| 4.96:1 | 353 RPM / 292 RPM | 803111 |
| 5.41:1 | 323 RPM / 268 RPM | 803112 |
| 6.23:1 | 281 RPM / 233 RPM | 803113 |
| 7.68:1 | 228 RPM / 189 RPM | 803114 |
| 8.50:1 | 206 RPM / 171 RPM | 803115 |

| BASEPLATE AND MOTOR RISER PART NUMBERS | | |
|--|--------------------------------|---------------------------------|
| MOTOR FRAME | BASEPLATE | MOTOR RISER |
| 182T/184T | 901421 | 905810 |
| 213T/215T | 901436 | 905814 |
| 254T/256T | 901444 | 905821 |
| COUPLING AND GUARD PART NUMBER | | |
| MOTOR FRAME | MOTOR TO GEARBOX COUPLING ASSY | MOTOR TO GEARBOX COUPLING GUARD |
| 182T/184T | 906310 | 804308 |
| 213T/215T | 906311 | 804317 |
| 254T/256T | 906309 | 804349 |