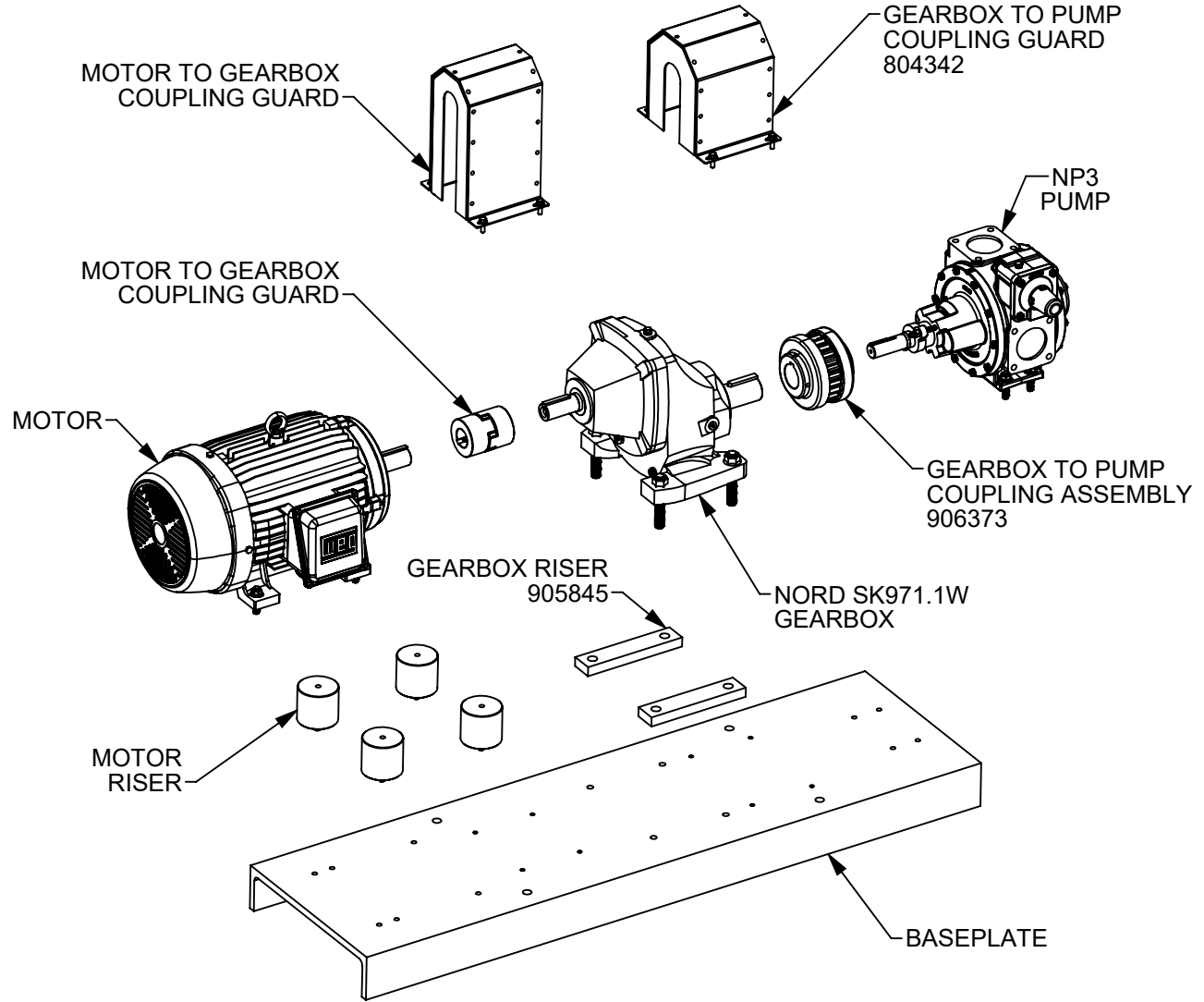




TYPE	NP	SIZE	3	UNIT STYLE	SK971	DIMENSIONS 103-H14	
			Section Effective Replaces Page 1 / 1		103 Dec 2023 Sept 2023		

RIGHT HAND ROTATION. FOR LEFT HAND ROTATION, SHAFT PROJECTION IS OPPOSITE THAT SHOWN.

\*\*MOUNTING STYLE: LONG COUPLED\*\*



NORD SK971.1-W GEARBOX PART NUMBERS			BASEPLATE AND MOTOR RISER PART NUMBERS		
RATIO	SPEEDS 60Hz/50Hz	PART NUMBER	MOTOR FRAME	BASEPLATE	MOTOR RISER
2.86:1	NA / 522 RPM	803122	213T/215T	901438	905841
3.31:1	529 RPM / 438 RPM	803123	254T/256T	901446	905842
3.67:1	477 RPM / 395 RPM	803124	284T/286T	901450	905843
4.04:1	433 RPM / 359 RPM	803125	<b>COUPLING AND GUARD PART NUMBER</b>		
4.42:1	396 RPM / 328 RPM	803126	MOTOR FRAME	MOTOR TO GEARBOX COUPLING ASSY	MOTOR TO GEARBOX COUPLING GUARD
5.04:1	347 RPM / 288 RPM	803127	213T/215T	906314	804315
5.50:1	318 RPM / 264 RPM	803128	254T/256T	906319	8043015
5.94:1	295 RPM / 244 RPM	803129	284T/286T	906320	804332
6.82:1	257 RPM / 213 RPM	803130			