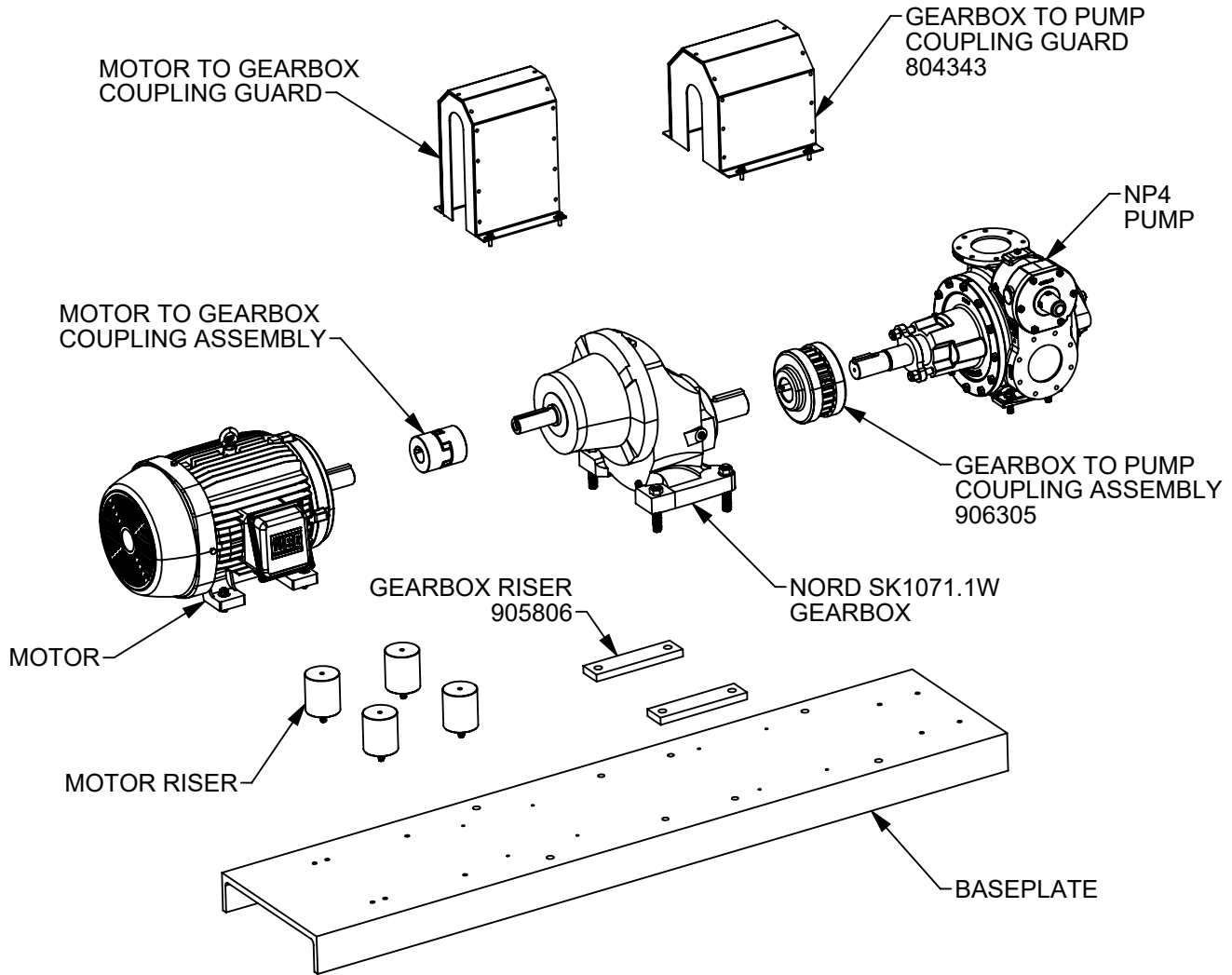




TYPE	SIZE	UNIT STYLE	DIMENSIONS 103-H15	
			Section Effective Replaces Page 1 / 1	103 Dec 2023 Sept 2023
NP	4	SK1071		

RIGHT HAND ROTATION. FOR LEFT HAND ROTATION, SHAFT PROJECTION IS OPPOSITE THAT SHOWN.

\*\*MOUNTING STYLE: LONG COUPLED\*\*



BASEPLATE AND MOTOR RISER PART NUMBERS		
MOTOR FRAME	BASEPLATE	MOTOR RISER
213T/215T	901439	905823
254T/256T	901447	905827
284T/286T	901451	905830
324T/326T	901452	905831

NORD SK1071.1-W GEARBOX PART NUMBERS		
RATIO	SPEEDS 60Hz/50Hz	PART NUMBER
3.44:1	509 RPM / 422 RPM	813134
3.96:1	442 RPM / 366 RPM	813135
4.42:1	396 RPM / 328 RPM	813136
4.77:1	367 RPM / 304 RPM	813137
5.29:1	331 RPM / 274 RPM	813138
6.51:1	269 RPM / 223 RPM	813139
8.10:1	216 RPM / 179 RPM	813140

COUPLING AND GUARD PART NUMBER		
MOTOR FRAME	MOTOR TO GEARBOX COUPLING ASSY	MOTOR TO GEARBOX COUPLING GUARD
213T/215T	906321	804327
254T/256T	906322	804327
284T/286T	906323	804334
324T/326T	906324	804334

NORD SK1071.1-W GEARBOX PART NUMBERS

RATIO	SPEEDS 60Hz/50Hz	PART NUMBER
3.44:1	509 RPM / 422 RPM	813134
3.96:1	442 RPM / 366 RPM	813135
4.42:1	396 RPM / 328 RPM	813136
4.77:1	367 RPM / 304 RPM	813137
5.29:1	331 RPM / 274 RPM	813138
6.51:1	269 RPM / 223 RPM	813139
8.10:1	216 RPM / 179 RPM	813140

COUPLING AND GUARD PART NUMBER		
MOTOR FRAME	MOTOR TO GEARBOX COUPLING ASSY	MOTOR TO GEARBOX COUPLING GUARD
213T/215T	906321	804327
254T/256T	906322	804327
284T/286T	906323	804334
324T/326T	906324	804334