

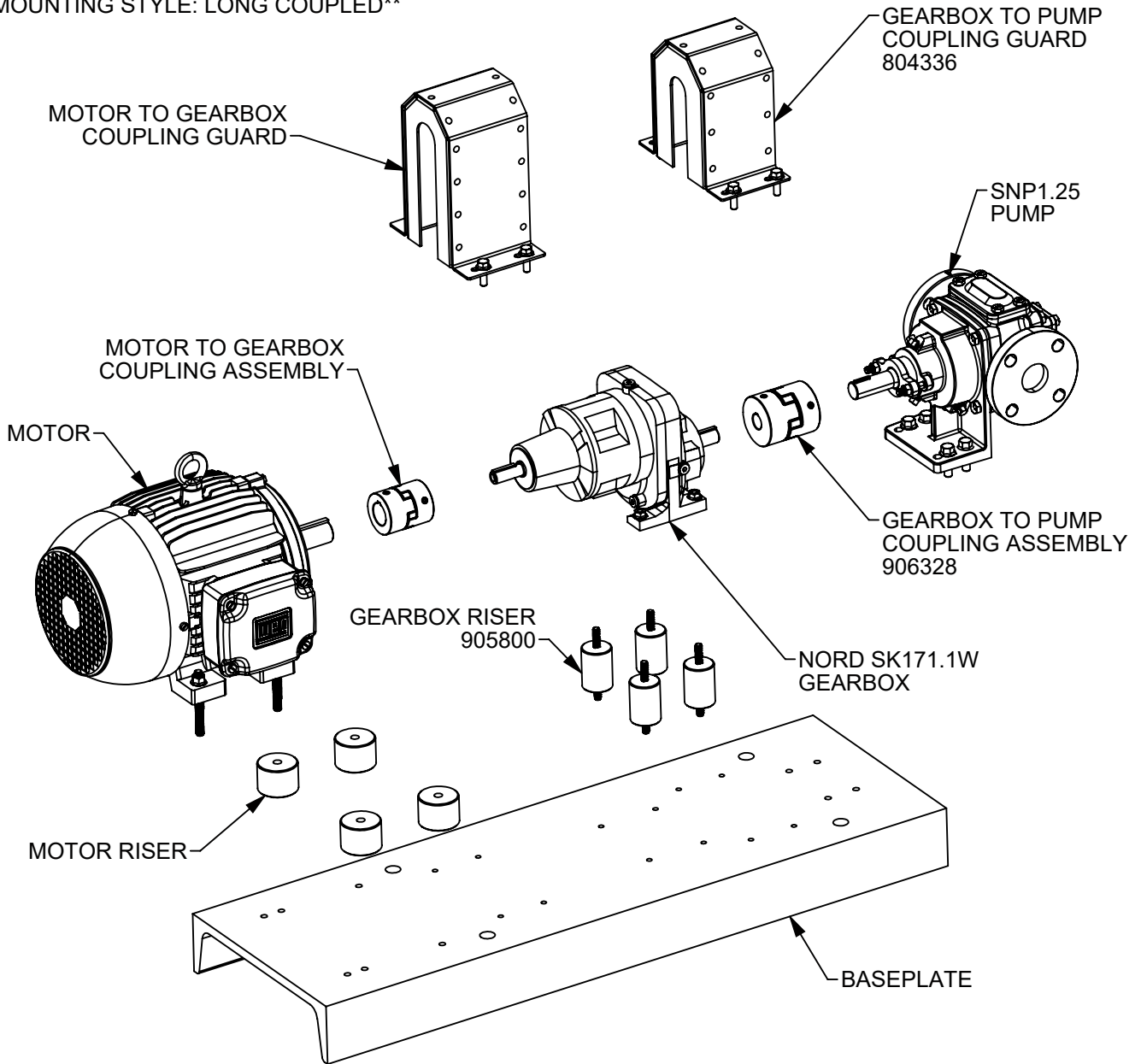


TYPE	SIZE	UNIT STYLE
SNP	1.25	SK171

DIMENSIONS 104-H11	
Section Effective Replaces Page 1 / 1	104 Dec 2023 Sept 2023

RIGHT HAND ROTATION SHOWN.

MOUNTING STYLE: LONG COUPLED



NORD SK171.1-W GEARBOX PART NUMBERS			BASEPLATE AND MOTOR RISER PART NUMBERS		
RATIO	SPEEDS 60Hz/50Hz	PART NUMBER	MOTOR FRAME	BASEPLATE	MOTOR RISER
1.07:1	1636 RPM / 1355 RPM	803131	143T/145T	901420	905807
1.15:1	1522 RPM / 1261 RPM	803132	182T/184T	901424	905811
1.96:1	893 RPM / 740 RPM	803133	COUPLING AND GUARD PART NUMBER		
2.71:1	646 RPM / 535 RPM	803134	MOTOR FRAME	MOTOR TO GEARBOX COUPLING ASSY	MOTOR TO GEARBOX COUPLING GUARD
3.46:1	506 RPM / 419 RPM	803135	143T/145T	906325	804300
			182T/184T	906326	804300