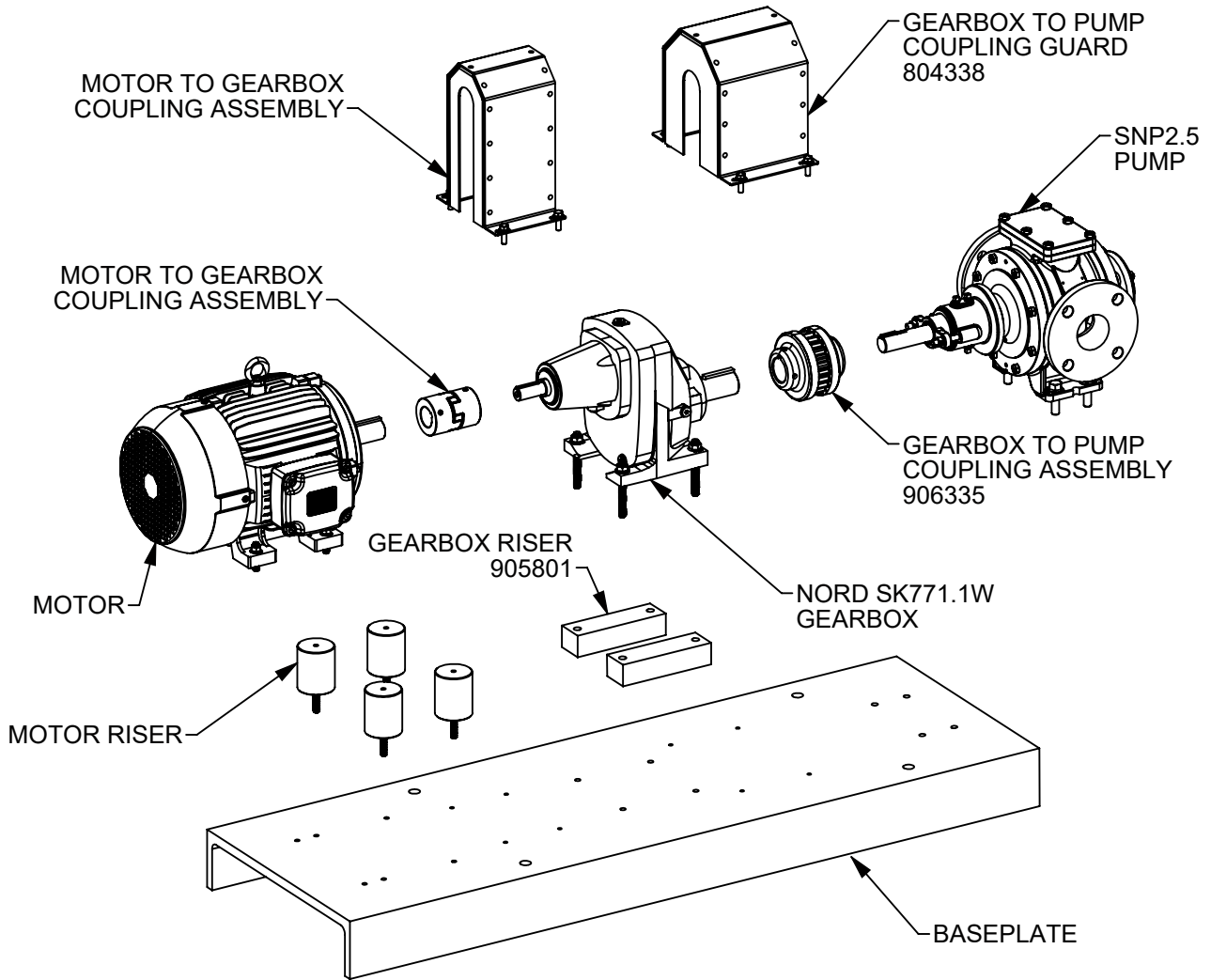




TYPE	SIZE	UNIT STYLE	DIMENSIONS 104-H14	
SNP	2.5	SK771	Section Effective	104
			Replaces	Dec 2023
			Page 1 / 1	Sept 2023

RIGHT HAND ROTATION. FOR LEFT HAND ROTATION, SHAFT PROJECTION IS OPPOSITE THAT SHOWN.

MOUNTING STYLE: LONG COUPLED



NORD SK771.1-W GEARBOX PART NUMBERS			BASEPLATE AND MOTOR RISER PART NUMBERS		
RATIO	SPEEDS 60Hz/50Hz	PART NUMBER	MOTOR FRAME	BASEPLATE	MOTOR RISER
2.65:1	660 RPM / 547 RPM	803108	182T/184T	901426	905812
3.38:1	518 RPM / 429 RPM	803109	213T/215T	901433	905818
3.75:1	467 RPM / 387 RPM	813132	254T/256T	901441	905824
4.14:1	423 RPM / 350 RPM	803110	COUPLING AND GUARD PART NUMBER		
4.96:1	353 RPM / 292 RPM	803111	MOTOR FRAME	MOTOR TO GEARBOX COUPLING ASSY	MOTOR TO GEARBOX COUPLING GUARD
5.41:1	323 RPM / 268 RPM	803112	182T/184T	906307	804305
6.23:1	281 RPM / 233 RPM	803113	213T/215T	906308	804314
7.68:1	228 RPM / 189 RPM	803114	254T/256T	906309	804323
8.50:1	206 RPM / 171 RPM	803115			