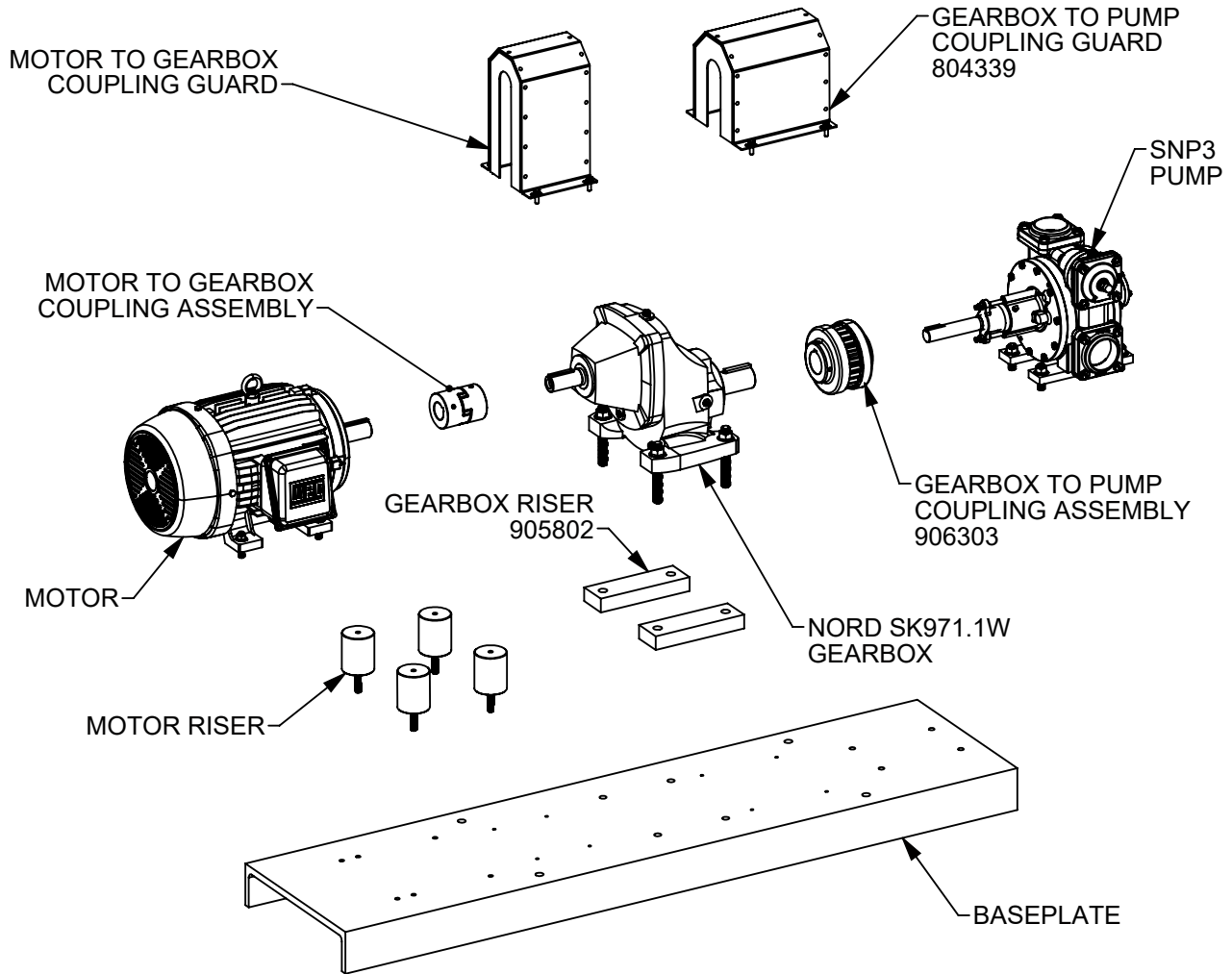




TYPE	SIZE	UNIT STYLE	DIMENSIONS 104-H15	
			Section Effective Replaces Page 1 / 1	104 Dec 2023 Sept 2023
SNP	3	SK971		

RIGHT HAND ROTATION. FOR LEFT HAND ROTATION, SHAFT PROJECTION IS OPPOSITE THAT SHOWN.

MOUNTING STYLE: LONG COUPLED



NORD SK971.1-W GEARBOX PART NUMBERS			BASEPLATE AND MOTOR RISER PART NUMBERS		
RATIO	SPEEDS 60Hz/50Hz	PART NUMBER	MOTOR FRAME	BASEPLATE	MOTOR RISER
2.86:1	612 RPM / 507 RPM	803122	213T/215T	901434	905819
3.31:1	529 RPM / 438 RPM	803123	254T/256T	901442	905825
3.67:1	477 RPM / 395 RPM	803124	284T/286T	901448	905828
4.04:1	433 RPM / 359 RPM	803125	COUPLING AND GUARD PART NUMBER		
4.42:1	396 RPM / 328 RPM	803126	MOTOR FRAME	MOTOR TO GEARBOX COUPLING ASSY	MOTOR TO GEARBOX COUPLING GUARD
5.04:1	347 RPM / 288 RPM	803127	213T/215T	906314	804315
5.50:1	318 RPM / 264 RPM	803128	254T/256T	906319	804315
5.94:1	295 RPM / 244 RPM	803129	284T/286T	906320	804327
6.82:1	257 RPM / 213 RPM	803130			