

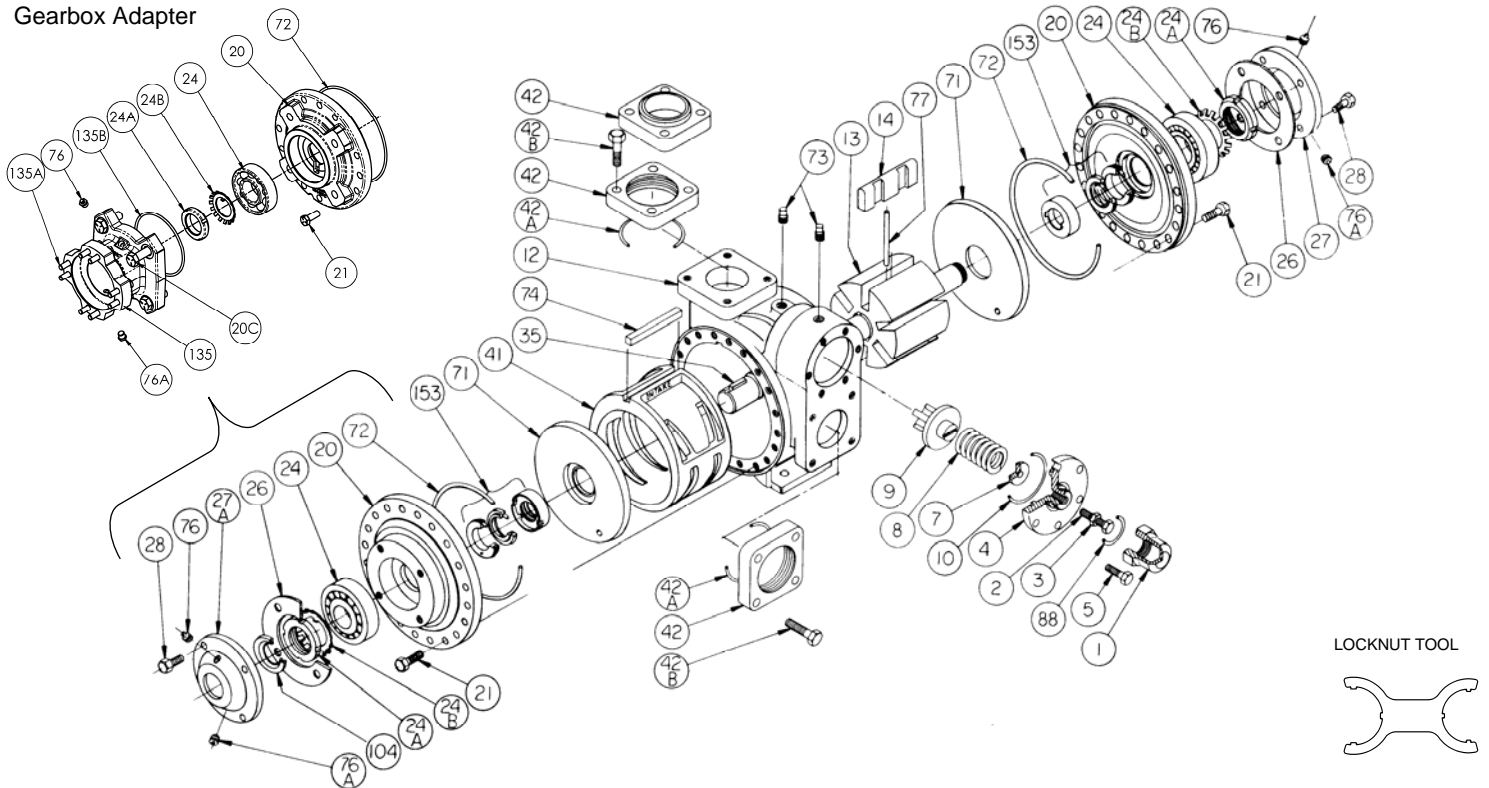
BLACKMER PARTS LIST

PUMP MODEL: XLW2F DISCONTINUED MODEL: XLW2E-N

Keep with Instructions 105-B00 Installation, Operation and Maintenance

Section | 105
Effective | Jul 2018
Replaces | Sept 2012

Gearbox Adapter



Ref. No.	Description	Parts per Pump	Part No.	Ref. No.	Description	Parts per Pump	Part No.
1	Cap – Relief Valve (R/V)	1	414402	27	Bearing Cover – Outboard	1	041433
2	Adjusting Screw – R/V	1	433905	27A	Bearing Cover – Inboard	1	041431
3	Locknut – Adjusting Screw	1	922923	28	Capscrews – Bearing Cover	8-12	920285
4	Cover – R/V	1	414408	35	Key – Shaft Square	1	^{1,3} 909209
5	Capscrew – R/V Cover	6	920316	41	Liner	1	² 183913
7	Spring Guide – R/V	1	424401	42 ⁴	Flange – NPT	2	654401
8	Spring – R/V (51-75 psi) (Std.)	1	471425		Flange – Weld		654405
	Spring – R/V (76-110 psi)		471428	42A	O-Ring – Flange (FKM)	2	¹ 702086
	Spring – R/V (111-150 psi)		471424		O-Ring - Flange (PTFE)		702078
9	Valve – R/V	1	454405	42B	Capscrew – NPT Flange	8	920384
10	O-Ring – R/V Cover (FKM)	1	¹ 711929		Capscrew – Weld, ANSI		920351
	O-Ring - R/V Cover (PTFE)		702077	71	Disc	2	² 063900
12	Casing	1	014405	72	O-Ring – Head (FKM)	2	¹ 702045
13	EC Rotor & Shaft Asy. (-.045) (Std) FS Rotor & Shaft Asy. (Both Include Ref. 24A & 24B)	1	² 263927		O-Ring – Head (PTFE)		
			263923	73	Gage Plug	2	908195
14	Vane – EC Hardened Iron (Std.)	6	¹ 093931	74	Key – Liner	1	² 183991
	Vane – EC Laminate		091429	76	Grease Fitting	2	317815
20	Head	1-2	034416	76A	Grease Relief Fitting	2	701992
	Head (Integrated Gearbox)		0-1	034427	77	Push Rod	3
20C	Capscrew	0-4	920510	88	O-Ring – R/V Cap (FKM)	1	¹ 701979
21	Capscrews – Head	32-40	920351				O-Ring - R/V Cap (PTFE)
				104	Grease Seal	0-1	¹ 331918
24	Ball Bearing	2	¹ 903156	135	Adapter – Gearbox	0-1	833992
24A	Locknut – Bearing	2	903521	135A	Capscrew (Metric)	0-8	920028
24B	Lockwasher – Bearing	2	¹ 903522	135B	O-Ring – Gearbox Adapter	0-1	701991
26	Gasket – Bearing Cover	2	¹ 383940		Tool - Locknut		903091
					Kit - Maintenance		898974
					Kit - Rebuild		899074

¹ Included in Maintenance Kit and Rebuild Kit

² Included in Rebuild Kit EC = Extra Clearance FS = Full Size

³ Maintenance & Rebuild Kits also include Woodruff Key 909130 used previously

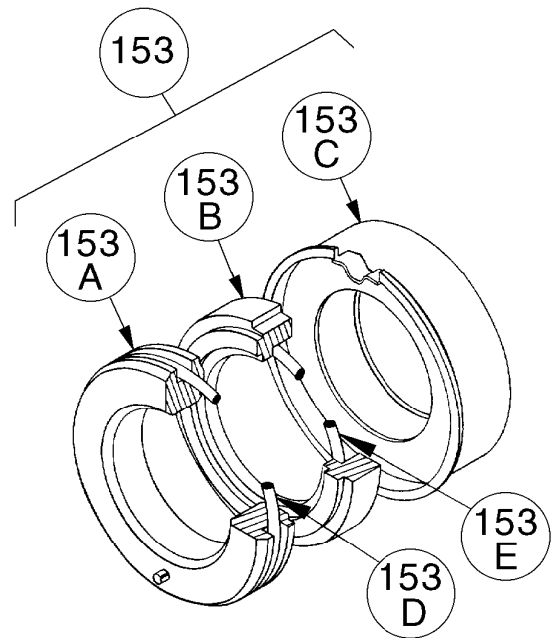
⁴ See more flanges on backside.

MECHANICAL SEALS

Ref. No.	Part Name	Parts Per Pump	Part No.
153	Mechanical Seal Complete – (Std.) Silicon Carbide Stationary Seat, Hardened Steel Seal Face, FKM O-Rings. (LVSV)	2	¹ 333919
	Mechanical Seal Complete – Silicon Carbide Stationary Seat, Hardened Steel Seal Face, PTFE O-Rings. (LAST)		333922
	Mechanical Seal Complete – Silicon Carbide Stationary Seat, Silicon Carbide Seal Face, FKM O-Rings. (LVLV)		333921
153A #	Stationary Seat (Silicon Carbide)	2	---
153B #	Rotating Seal Face (Hardened Steel)	2	---
	Rotating Seal Face (Silicon Carbide)		---
153C #	Jacket Assembly	2	---
153D	O-Ring – Stationary (FKM)	2	701970
	O-Ring – Stationary (PTFE)		702084
153E	O-Ring – Rotating (FKM)	2	701980
	Seal Ring – Rotating (PTFE)		711963

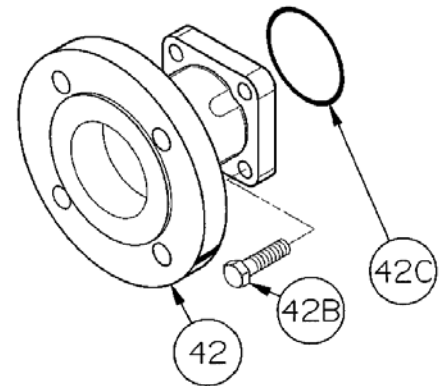
¹ Included in Maintenance Kit and Rebuild Kit

These components are included in the complete mechanical seal assemblies (Ref. No. 153), and are NOT available as replacement parts. Consult factory.



FLANGE OPTIONS

Ref. No.	Part Name	Parts Per Pump	Part No.
42	Flange – ANSI 2" 150 lb. R.F.	1-2	651417



ANSI FLANGE

