

BLACKMER PARTS LIST

MODEL: XLW4A

963920

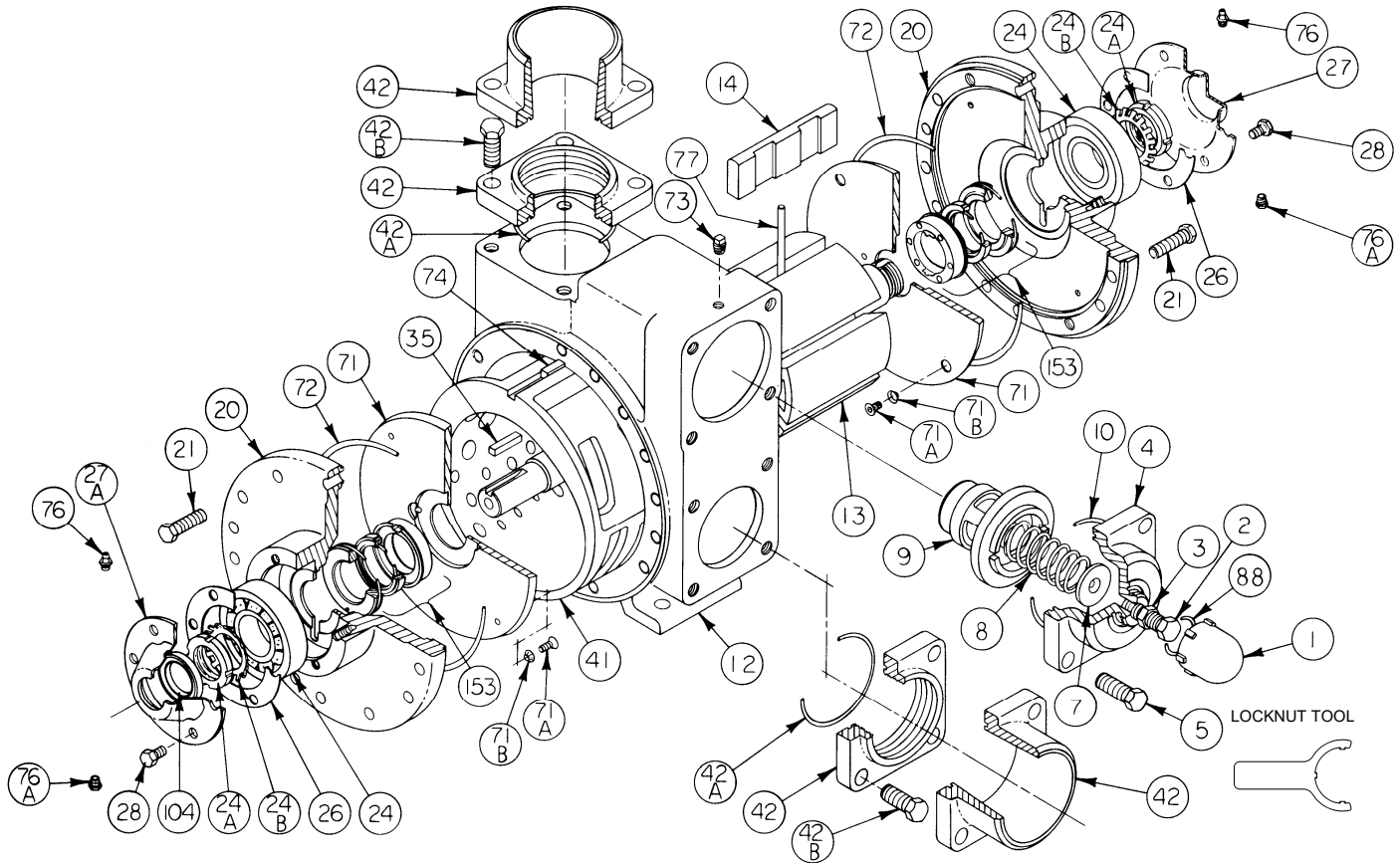
Page 1 of 2

PARTS LIST

105-B04

Keep with Instructions 105-B00 for Installation, Operation and Maintenance

Section 107
Effective Oct 2019
Replaces Apr 2014



Ref. No.	Description	Parts per Pump	Part No.	Ref. No.	Description	Parts per Pump	Part No.
1	Cap - Relief Valve (R/V)	1	413957	27	Bearing Cover - Outboard	1	041817
2	Adjusting Screw - R/V	1	436310	27A	Bearing Cover - Inboard	1	041815
3	Locknut - Adjusting Screw	1	432039	28	Capscrews - Bearing Cover	12	920285
4	Cover - R/V	1	412001	35	Key - Shaft	1	¹ 909183
5	Capscrew - R/V Cover	4	920663	41	Liner	1	² 182010
7	Spring Guide - R/V	1	426355	42-42B	Flanges		See Back
8	Spring - R/V (51 - 75 psi)	1	472009	71	Disc	2	² 062040
	Spring - R/V (76 - 125 psi)		472039	71A	Machine Screw - Disc	8	² 920015
	Spring - R/V (126 - 150 psi)		472039	71B	Lockwasher - Machine Screw	8	² 909634
9	Valve - R/V	1	452001	72	O-Ring - Head (FKM)	2	¹ 702106
10	O-Ring - R/V Cover (FKM)	1	¹ 711909		O-Ring - Head (PTFE)		702089
	O-Ring - R/V Cover (PTFE)		702099	73	Gage Plug	2	908198
12	Casing	1	012019	74	Key - Liner	1	² 182040
13	EC Rotor & Shaft Assembly (Includes Ref. Nos. 24A & 24B)	1	² 262043	76	Grease Fitting	2	317815
14	Vane - EC Hardened Iron	6	¹ 092004	76A	Grease Relief Fitting	2	701992
	Vane - EC Laminate		092029	77	Push Rods	3	¹ 122005
20	Head	2	032041	88	O-Ring - R/V Cap (FKM)	1	¹ 702116
21	Capscrews - Head	28	920532		O-Ring - R/V Cap (PTFE)		702100
24	Ball Bearing	2	¹ 903172	104	Grease Seal	1	¹ 331908
24A	Locknut - Bearing	2	² 903541		Tool - Locknut		903092
24B	Lockwasher - Bearing	2	¹ 903542		Kit - Maintenance		899176
26	Gasket - Bearing Cover	2	¹ 385125		Kit - Rebuild		899276

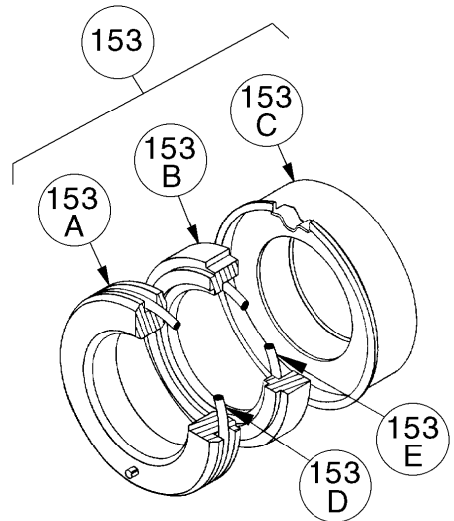
¹ Included in Maintenance Kit and Rebuild Kit

² Included in Rebuild Kit

EC = Extra Clearance

MECHANICAL SEALS

Ref. No.	Part Name	Parts Per Pump	Part No.
153	Mechanical Seal Complete - Silicon Carbide Stationary Seat, Hardened Steel Seal Face, FKM O-Rings. (LVSV)	2	¹ 332075
	Mechanical Seal Complete – Silicon Carbide Stationary Seat, Hardened Steel Seal Face, PTFE O-Rings. (LAST)		332076
153A	Stationary Seat (Silicon Carbide)	2	**
153B	Rotating Seal Face (Hardened Steel)	2	**
153C	Jacket Assembly	2	**
153D	O-Ring - Stationary (FKM)	2	701921
	O-Ring - Stationary (PTFE)		702056
153E	O-Ring - Rotating (FKM)	2	701962
	Seal Ring - Rotating (PTFE)		701963



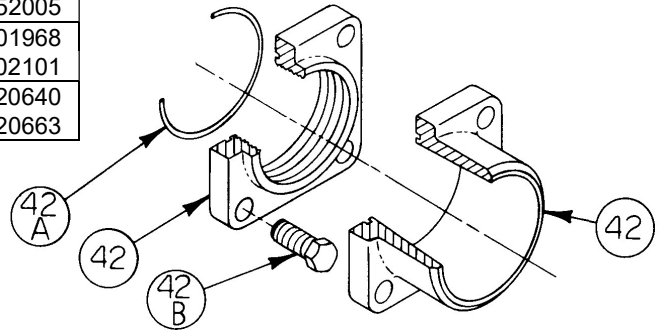
¹ Included in Maintenance Kit and Rebuild Kit

** Mechanical Seal Ref. No. 153 is only sold as a complete assembly.

Ref. Nos. 153A, 153B & 153C are not available as separate replacement parts.

FLANGES

Ref. No.	Part Name	Parts Per Pump	Part No.
42	Flange - 3" NPT	1 - 2	652012
	Flange - 3" Weld		652007
	Flange - 4" Weld		652005
42A	O-Ring - Flange (FKM)	2	¹ 701968
	O-Ring - Flange (PTFE)		702101
42B	Capscrews - Weld Flange	8	920640
	Capscrews - NPT Flange		920663



¹ Included in Maintenance Kit and Rebuild Kit

