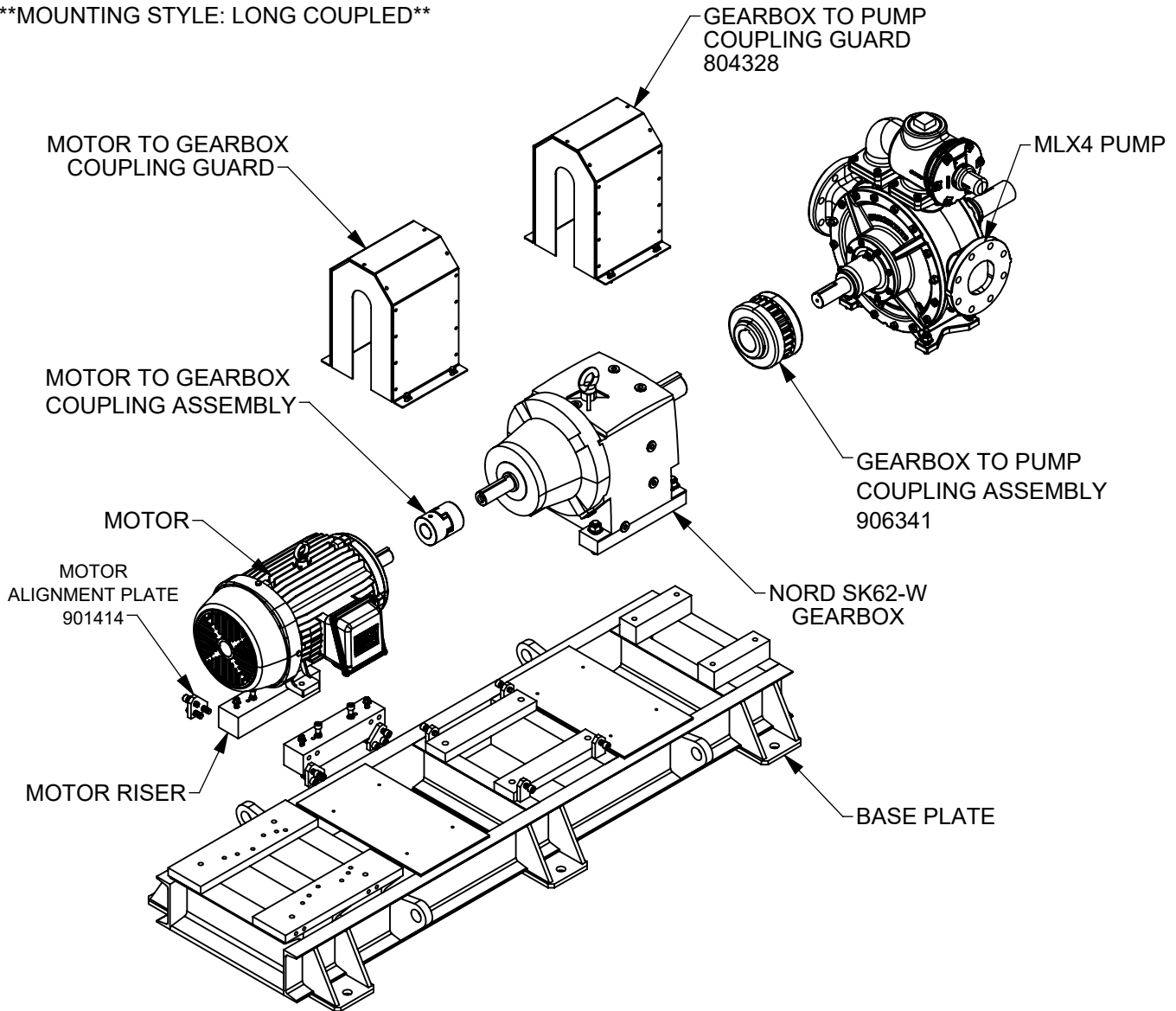




|            |          |             |                                       |                              |
|------------|----------|-------------|---------------------------------------|------------------------------|
| TYPE       | SIZE     | UNIT STYLE  | DIMENSIONS 106-H11                    |                              |
|            |          |             | Section Effective Replaces Page 1 / 1 | 106<br>Dec 2023<br>Sept 2023 |
| <b>MLX</b> | <b>4</b> | <b>SK62</b> |                                       |                              |

RIGHT HAND ROTATION. FOR LEFT HAND ROTATION, SHAFT PROJECTION IS OPPOSITE THAT SHOWN.

\*\*MOUNTING STYLE: LONG COUPLED\*\*



| NORD SK62-W GEARBOX PART NUMBERS |                     |             | BASEPLATE AND MOTOR RISER PART NUMBERS |                                |                                 |
|----------------------------------|---------------------|-------------|--|--------------------------------|---------------------------------|
| RATIO                            | SPEEDS<br>60Hz/50Hz | PART NUMBER | MOTOR FRAME                            | BASEPLATE                      | MOTOR RISER                     |
| 2.97:1                           | 589 RPM / 488 RPM   | 813158      | 254T/256T                              | 901453                         | 905839                          |
| 3.30:1                           | 530 RPM / 439 RPM   | 813159      | 284T/286T                              |                                | 905832                          |
| 3.72:1                           | 470 RPM / 390 RPM   | 813160      | 324T/326T                              |                                | 905834                          |
| 4.05:1                           | 432 RPM / 358 RPM   | 813161      | 364T/365T                              |                                | ---                             |
|                                  |                     |             | COUPLING AND GUARD PART NUMBER         |                                |                                 |
|                                  |                     |             | MOTOR FRAME                            | MOTOR TO GEARBOX COUPLING ASSY | MOTOR TO GEARBOX COUPLING GUARD |
|                                  |                     |             | 254T/256T                              | 906322                         | 804328                          |
|                                  |                     |             | 284T/286T                              | 906323                         | 804328                          |
|                                  |                     |             | 324T/326T                              | 906324                         | 804328                          |
|                                  |                     |             | 364T/365T                              | 906342                         | 804328                          |