

# BLACKMER PARTS LIST

962102

PARTS LIST

Page 1 of 2

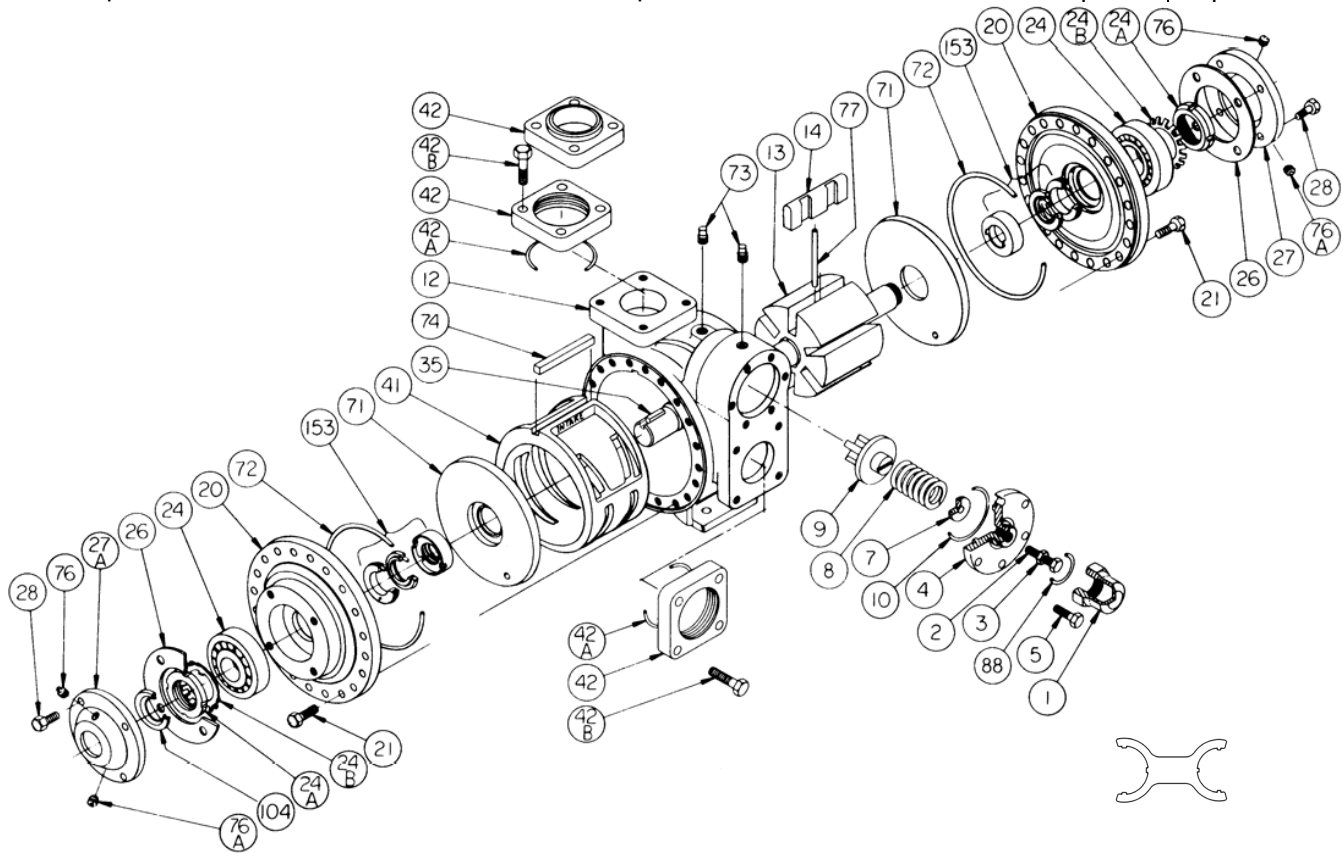
107-B02

## MODEL: XLB3

Discontinued models: XL3A-N, XLS3A-N

Keep with Instructions 107-B00 for Installation, Operation and Maintenance

Section 107  
Effective Sept 2023  
Replaces Sept 2012



Ref. No.	Description	Parts per Pump	Part No.	Ref. No.	Description	Parts per Pump	Part No.
1	Cap - Relief Valve (R/V)	1	414402	26	Gasket - Bearing Cover	2	<sup>1</sup> 385125
2	Adjusting Screw - R/V	1	435109	27	Bearing Cover - Outboard	1	041817
3	Locknut - Adjusting Screw	1	922923	27A	Bearing Cover - Inboard	1	041815
4	Cover - R/V	1	415109	28	Capscrews - Bearing Cover	12	920285
5	Capscrew - R/V Cover	6	920331	35	Key - Shaft Square	1	<sup>1,3</sup> 909209
7	Spring Guide - R/V	1	425109	41	Liner	1	<sup>2</sup> 185116
8	Spring - R/V (51-100 psi) (std.)	1	471621	42-42B	Flanges		See Back
	Spring - R/V (101-150 psi)		475109	71	Disc	2	<sup>2</sup> 065112
9	Valve - R/V	1	455109	72	O-Ring - Head (FKM)	2	<sup>1</sup> 711938
10	O-Ring - R/V Cover (FKM)	1	<sup>1</sup> 701924		O-Ring - Head (PTFE)		702082
	O-Ring - R/V Cover (Buna-N)		701925		O-Ring - Head (Buna)		702041
	O-Ring - R/V Cover (PTFE)		702079	73	Gage Plug	2	908198
12	Casing	1	015127	74	Key - Liner	1	<sup>2</sup> 185191
13	Rotor & Shaft	1	<sup>2</sup> 265149	76	Grease Fitting	2	317815
	Rotor & Shaft, Corrosion Resistant		265204	76A	Grease Relief Fitting	2	701992
	(Both include Ref. 24A & 24B)			77	Push Rod	3	<sup>1</sup> 125105
14	Vane - Duravane (std.)	6	<sup>1</sup> 095131	88	O-Ring - R/V Cap (FKM)	1	<sup>1</sup> 701979
	Vane - EC Cast Iron		095119		O-Ring - R/V Cap (PTFE)		702075
	Vane - EC Laminate		095107		O-Ring - R/V Cap (Buna)		711917
20	Head	2	035128	104	Grease Seal	1	<sup>1</sup> 331908
21	Capscrews - Head	40	920369		Tool - Locknut		903091
24	Ball Bearing	2	<sup>1</sup> 903172		Kit - Maintenance		898964
24A	Locknut - Bearing	2	<sup>2</sup> 903523		Kit - Rebuild		899064
24B	Lockwasher - Bearing	2	<sup>1</sup> 903524				

<sup>1</sup>Included in Maintenance Kit and Rebuild Kit

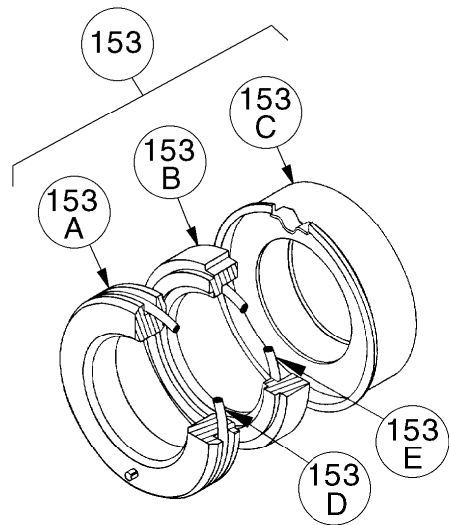
<sup>2</sup>Included in Rebuild Kit

EC = Extra Clearance

<sup>3</sup>Maintenance and Rebuild Kits also include Woodruff Key 909130 used previously.

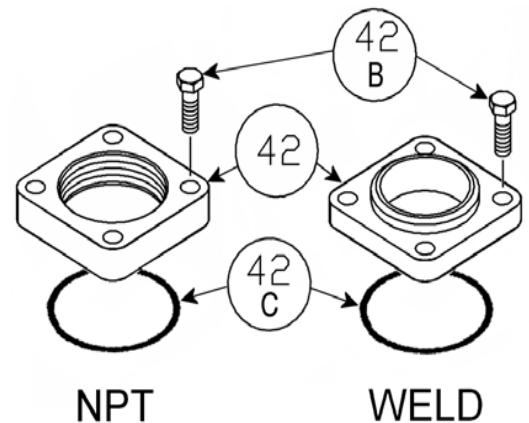
**MECHANICAL SEALS**

Ref. No.	Part Name	Parts Per Pump	Part No.
153	Mechanical Seal Complete – (Std.) Hardened Steel Stationary Seat, Carbon Seal Face, FKM O-Rings. (SVCV)	2	1335129
	Mechanical Seal Complete – Hardened Steel Stationary Seat, PTFE O-Ring, Carbon Seal Face w/PTFE Seal Ring. (SACT)		335175
	Mechanical Seal Complete – Silicon Carbide Stationary Seat, PTFE O-Ring, Carbon Seal Face w/PTFE Seal Ring. (LACT)		335299
	Mechanical Seal Complete – Silicon Carbide Stationary Seat, Carbon Seal Face, FKM O-Rings. (LVCV)		335298
	Mechanical Seal Complete – Hardened Steel Stationary Seat, Carbon Seal Face, Buna O-Rings. (SNCN)		335225
153A#	Stationary Seat (Hardened Steel) Stationary Seat (Silicon Carbide)	2	---
153B#	Rotating Seal Face (Carbon)	2	---
153C#	Jacket Assembly	2	---
153D	O-Ring – Stationary (FKM)	2	702015
	O-Ring – Stationary (PTFE)		711999
	O-Ring – Stationary (Buna)		702025
153E	O-Ring – Rotating (FKM)	2	701963
	Seal Ring – Rotating (PTFE)		701962
	O-Ring – Rotating (Buna)		711912



<sup>1</sup>Included in Maintenance Kit and Rebuild Kit

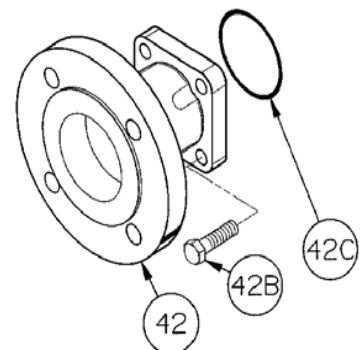
# These components are included in the complete mechanical seal assemblies (Ref. No. 153), and are NOT available as replacement parts. Consult factory.



NPT

WELD

Ref. No.	Part Name	Parts Per Pump	Size 3 Part No.
42	Flange - NPT	1-2	655112
	Flange - Weld		655102
	Flange – ANSI 3” 150 lb. R.F.		651817
42C	O-Ring Flange (FKM) (Std)	2	711931
	O-Ring - Flange (PTFE)		702080
	O-Ring - Flange (Buna)		702002
42B	Capscrew- NPT Flange	8	920547
	Capscrew – Weld/ANSI Flg		920510



ANSI FLANGE



1809 Century Avenue, Grand Rapids, Michigan 49503-1530, U.S.A.  
Telephone: (616) 241-1611 / Fax: (616) 241-3752  
E-Mail: blackmer@blackmer.com / Internet: www.blackmer.com

Parts List 107-B03  
Page 2 of 2