

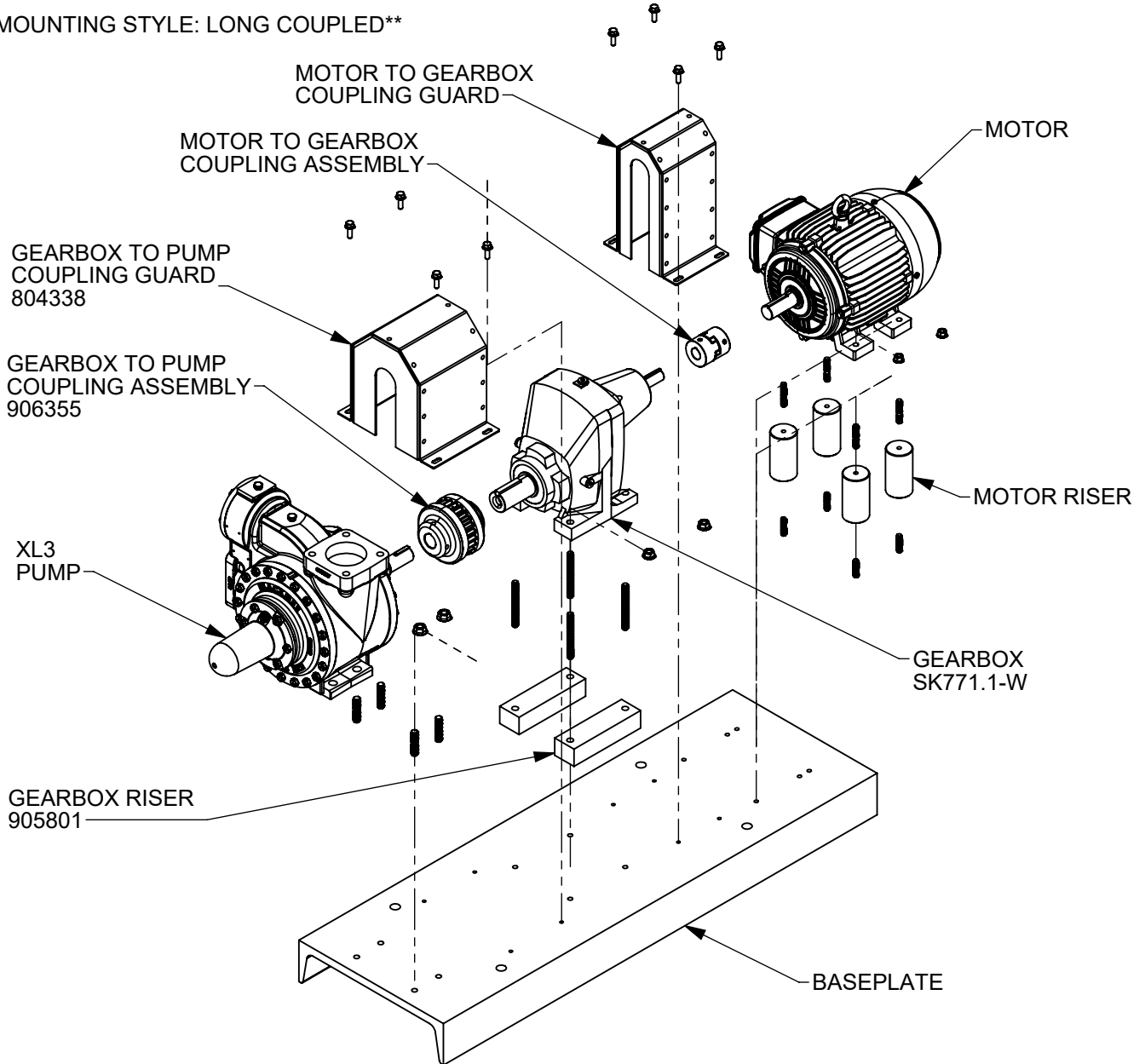


| | | |
|------|------|------------|
| TYPE | SIZE | UNIT STYLE |
| XL | 3 | SK771 |

| | |
|---------------------------------------|------------------------------|
| DIMENSIONS 107-H12 | |
| Section Effective Replaces Page 1 / 1 | 107 Dec 2023 Sept 2023 |

RIGHT HAND ROTATION SHOWN. FOR LEFT HAND ROTATION, SHAFT IS OPPOSITE THAT SHOWN.

MOUNTING STYLE: LONG COUPLED



| NORD SK771.1-W GEARBOX PART NUMBERS | | |
|-------------------------------------|---------------------|-------------|
| RATIO | SPEEDS 60Hz/50Hz | PART NUMBER |
| 2.15:1 | NA / 674 RPM | 813131 |
| 2.65:1 | 660 RPM / 547 RPM | 803108 |
| 3.38:1 | 518 RPM / 429 RPM | 803109 |
| 3.75:1 | 467 RPM / 387 RPM | 813132 |
| 4.14:1 | 423 RPM / 350 RPM | 803110 |
| 4.96:1 | 353 RPM / 292 RPM | 803111 |
| 5.41:1 | 323 RPM / 268 RPM | 803112 |
| 6.23:1 | 281 RPM / 233 RPM | 803113 |
| 7.68:1 | 228 RPM / 189 RPM | 803114 |
| 8.5:1 | 206 RPM / 171 RPM | 803115 |

| BASEPLATE AND MOTOR RISER PART NUMBERS | | |
|--|--------------------------------|---------------------------------|
| MOTOR FRAME | BASEPLATE | MOTOR RISER |
| 182T/184T | 901458 | 905812 |
| 213T/215T | 901460 | 905818 |
| 254T/256T | 901462 | 905824 |
| COUPLING AND GUARD PART NUMBERS | | |
| MOTOR FRAME | MOTOR TO GEARBOX COUPLING ASSY | MOTOR TO GEARBOX COUPLING GUARD |
| 182T/184T | 906310 | 804314 |
| 213T/215T | 906311 | 804314 |
| 254T/256T | 906309 | 804323 |