

# BLACKMER PARTS LIST

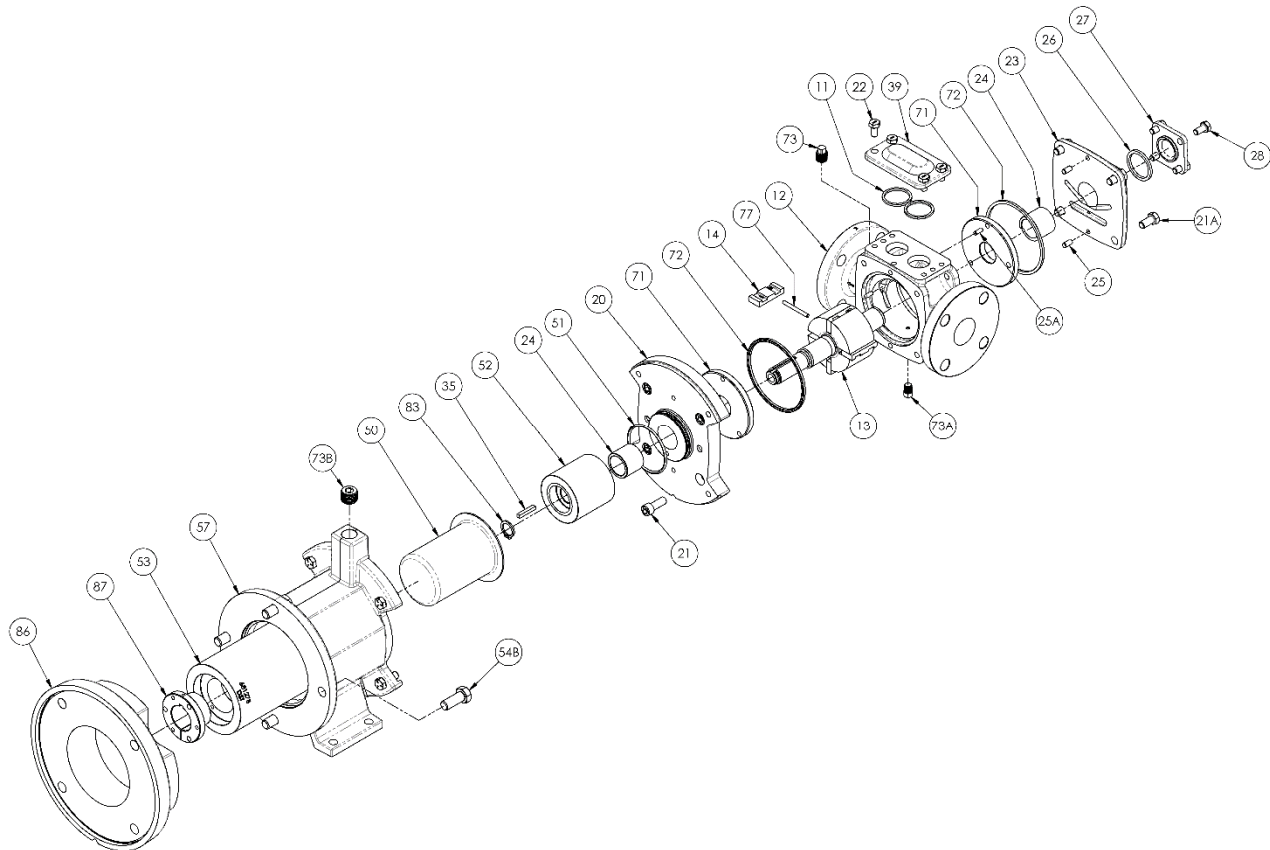
Models: SMVP15C, SMVP30C

Keep with Instructions 108-A00 for Installation, Operation and Maintenance

963101  
Page 1 of 2

**PARTS LIST**  
**108-A02**

Section 108  
Effective Apr 2018  
Replaces Jul 2015



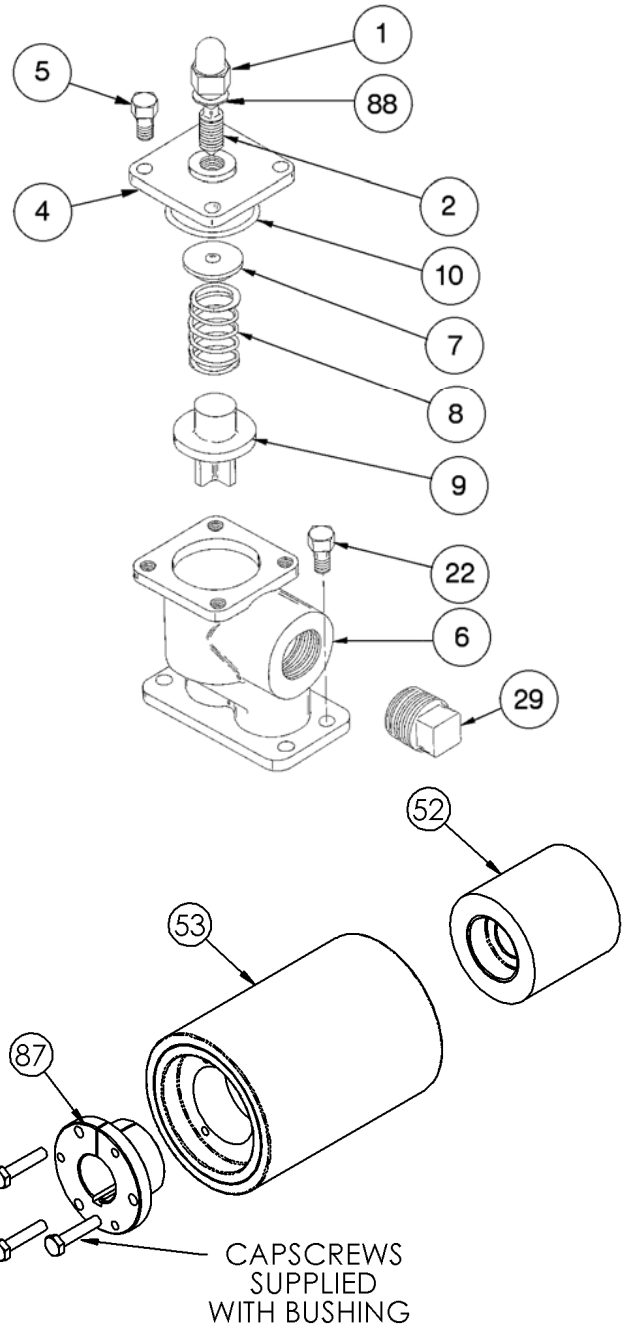
Ref. No.	Description	Parts per Pump	Part No.	Ref. No.	Description	Parts per Pump	Part No.
11	Seal Ring - Blanking Plate (PTFE)	2	711956	54B	Capscrews - Housing/Adapter	4	920491
12	Cylinder - SMVP15	1	023101	56	Capscrews - Adapter/Motor (143-145TC Frame)	4	920356
	Cylinder - SMVP30		023111		Capscrews - Adapter/Motor (182-184TC, 213-215TC Frame)		920491
13	Rotor & Shaft	1	<sup>2</sup> 263100	57	Magnet Housing	1	681203
14	Vane - Duravane	4	<sup>1</sup> 093107	71	Disc	2	<sup>2</sup> 063103
20	Inboard Head & Bearing Asy.	1	033100	72	Seal Ring - Head (PTFE)	2	<sup>1</sup> 711955
21	Capscrews - Inboard Head	4	920338	73	Gage Plug (1/4" NPT)	2	908193
21A	Capscrews - Outboard Head	4	920293	73A	Drain Plug (1/8" NPT)	1	908183
22	Capscrews - Blanking Plate	4	920129	73B	Plug - Housing (1/2" NPT)	1	908217
23	Outboard Head & Bearing Asy.	1	033104	77	Push Rod - SMVP15	2	<sup>1</sup> 123101
24	Sleeve Bearing	2	<sup>1</sup> 161201		Push Rod - SMVP30		<sup>1</sup> 123111
25	Dowel Pin - Head	4	930564	83	Snap Ring	1	<sup>1</sup> 903599
25A	Dowel Pin - Disc	2	930565	86	Motor Adapter - 143-145TC Frame	1	831200
26	Seal Ring - Bearing Cover	1	<sup>1</sup> 711957		Motor Adapter - 182-184TC Frame		831201
27	Bearing Cover	1	043101		Motor Adapter - 213-215TC Frame		831204
28	Capscrews - Bearing Cover (PTFE)	4	920129	87	Bushing - Outer Magnet	1	See Back
35	Key - Shaft	1	<sup>1</sup> 909196	—	Warning Label - Magnet Housing	1	909504
39	Blanking Plate	1	493101	—	Kit - Maintenance - SMVP15C	—	898938
50	Containment Can	1	681242	—	Kit - Maintenance - SMVP30C	—	898939
51	O-Ring - Containment Can (PTFE)	1	<sup>1</sup> 702077	—	Kit - Rebuild - SMVP15C	—	899038
52	Inner Magnet	1	See Back	—	Kit - Rebuild - SMVP30C	—	899039
53	Outer Magnet	1	See Back				
54A	Capscrews - Housing/Head	4	920331				

<sup>1</sup> Included in Maintenance Kit and Rebuild Kit

<sup>2</sup> Included in Rebuild Kit

**RELIEF VALVE - OPTIONAL**

Ref. No.	Part Name	Parts Per Pump	Part No.
1	Cap - Relief Valve (R/V)	1	413151
2	Adjusting Screw - R/V	1	433101
4	Cover - R/V	1	413101
5	Capscrews - R/V Cover	4	920129
6	Body - R/V	1	403101
7	Spring Guide - R/V	1	423101
8	Spring - R/V (51-75 psi)(Std.)	1	471418
	Spring - R/V (76-100 psi)		471427
	Spring - R/V (101-150 psi)		471429
9	Valve - R/V	1	453101
10	Seal Ring - R/V Cover (PTFE)	1	711958
22	Capscrews - R/V Body	4	920129
29	Plug (1")	0 - 1	908229
88	Gasket - R/V Cap	1	533101



**MAGNET OPTIONS**

Ref. No.	Part Name	Parts Per Pump	Part No.
52	Inner Magnet - MC10	1	681264
	Inner Magnet - MC20		681265
53	Outer Magnet - MC10 143-145TC Frame 182-184TC Frame	1	681274
	Outer Magnet - MC20 182-184TC Frame 213-215TC Frame		681275
87	Bushing Outer Magnet - MC10 143-145TC Frame	1	902431
	Bushing Outer Magnet -MC10 182-184TC Frame		902451
	Bushing Outer Magnet -MC20 182-184TC Frame		
	Bushing Outer Magnet - MC20 213-215TC Frame		902453

