

# BLACKMER PARTS LIST

964601

PARTS LIST

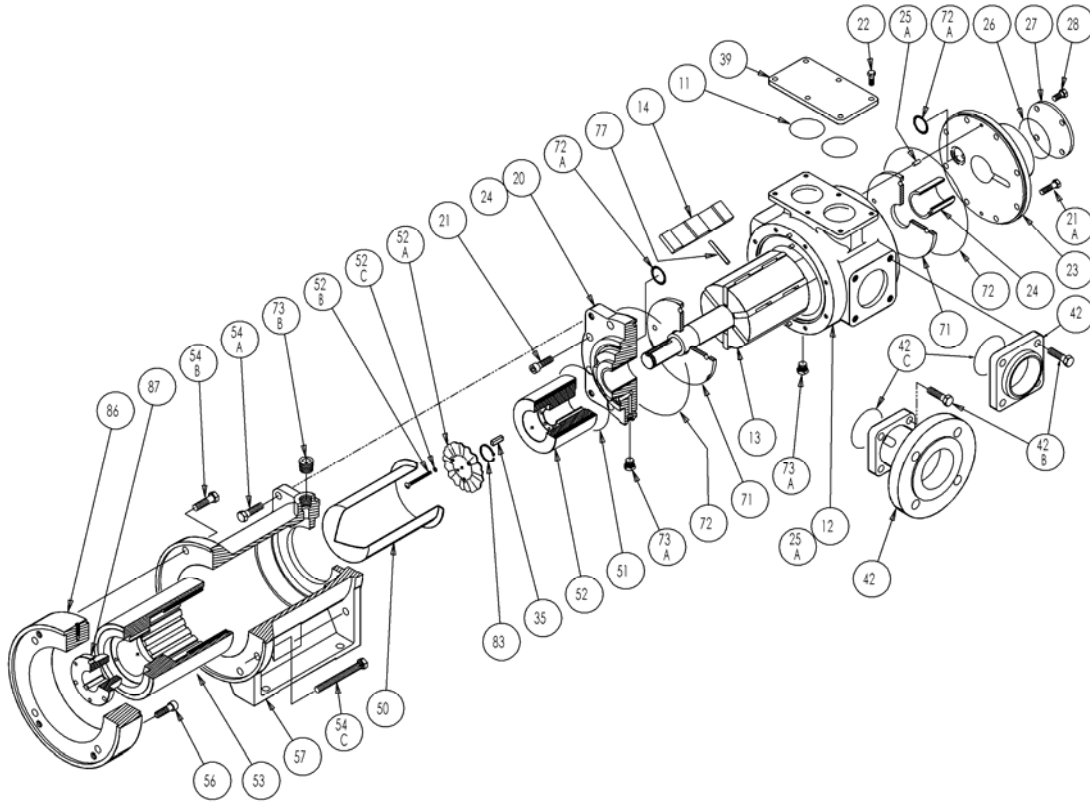
Page 1 of 2

108-B03

## Discontinued Model: SMVP200C, SMVP300C

Keep with Instructions 108-B00 for Installation, Operation and Maintenance

Section 108  
Effective MAR 2018  
Replaces July 2015



Ref. No.	Description	Parts per Pump	200 Part No.	300 Part No.	Ref. No.	Description	Parts per Pump	200 Part No.	300 Part No.
11	O-Ring - Blanking Plate (PTFE)	2	702078	702078	52A	Impeller	1	684502	684502
12	Cylinder	1	024501	024601	52B	Capscrews - Impeller	3	920021	920021
13	Rotor & Shaft	1	<sup>2</sup> 264500	<sup>2</sup> 264500	52C	Lockwashers - Impeller	3	909530	909530
14	Vane - Duravane	6	<sup>1</sup> 094500	<sup>1</sup> 094500	53	Outer Magnet	1	See Back	See Back
20	Inboard Head & Bearing Asy.	1	034500	034500	54A	Capscrews - Housing/Head	4	920467	920467
21	Capscrews - Inboard Head	8	920340	920340	54B	Capscrews - Housing/Adapter	4	920535	920535
21A	Capscrews - Outboard Head	8	920365	920365	54C	Jackscrews	2	920599	920599
22	Capscrews - Blanking Plate	6	920335	920335	56	Capscrews - Adapter/Motor 254-256TC Frame	4	920510	920510
23	Outboard Head & Bearing Asy.	1	034501	034501		Capscrews - Adapter/Motor 284-286TC Frame		920553	920553
24	Sleeve Bearing	2	<sup>1</sup> 164500	<sup>1</sup> 164500	57	Magnet Housing	1	684530	684530
25A	Dowel Pin	6	930564	930564	71	Disc - Chem Disc	2	<sup>2</sup> 064500	<sup>2</sup> 064500
26	O-Ring - Bearing Cover (PTFE)	1	<sup>1</sup> 702078	<sup>1</sup> 702078	72	O-Ring - Head (PTFE)	2	<sup>1</sup> 702202	<sup>1</sup> 702202
27	Bearing Cover	1	044500	044500	72A	Inner O-Ring - Head (PTFE)	2	<sup>1</sup> 702075	<sup>1</sup> 702075
28	Capscrews - Bearing Cover	4	920335	920335	73	Gage Plug (1/4" NPT)	2	908193	908193
35	Key - Shaft	1	<sup>1</sup> 909168	<sup>1</sup> 909168	73A	Drain Plug (SAE #6) w/ PTFE O-Ring	2	908213	908213
39	Blanking Plate	1	494500	494500	73B	Plug (1/2" NPT)	1	908217	908217
42	Flange - Weld (NCO)	0 - 2	652201	—	77	Push Rod	3	<sup>1</sup> 124500	<sup>1</sup> 124600
	Flange - ANSI		654500	654600	83	Snap Ring	1	<sup>1</sup> 903596	<sup>1</sup> 903596
42B	Capscrew - Flange	0-8	920516	920682	86	Motor Adapter - 254-256TC Frame	1	834501	834501
						Motor Adapter - 284-286TC Frame		834502	834502
42C	O-Ring - Flange (PTFE)	0-2	702101	702239	87	Bushing - Outer Magnet	1	See Back	See Back
50	Containment Can	1	684501	684501	—	Warning Label - Magnet Housing	1	909504	909504
51	O-Ring - Containment Can	1	<sup>1</sup> 702239	<sup>1</sup> 702239	—	Kit - Maintenance	—	898942	898943
52	Inner Magnet	1	See Back	See Back	—	Kit - Rebuild	—	899042	899043

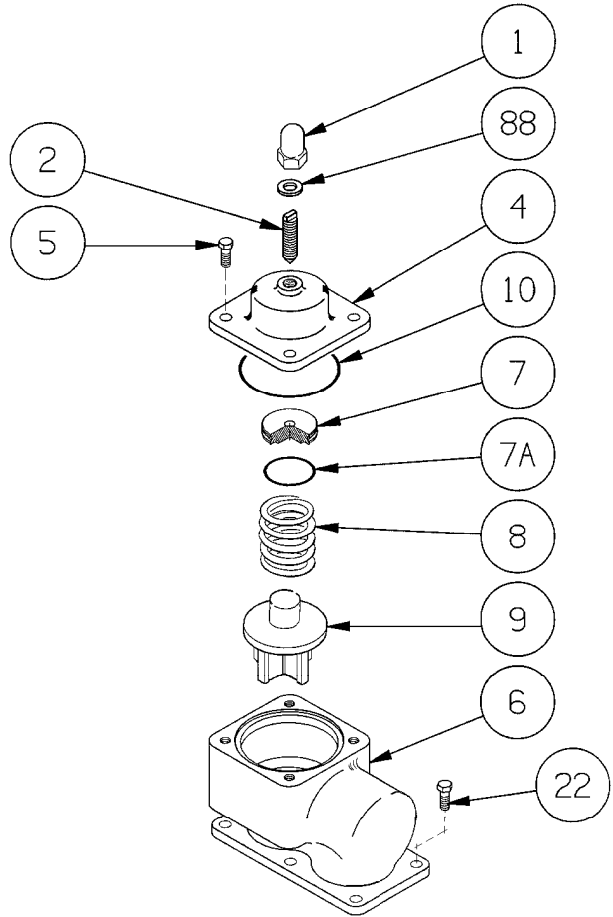
<sup>1</sup> Included in Maintenance Kit and Rebuild Kit

<sup>2</sup> Included in Rebuild Kit

EC = Extra Clearance

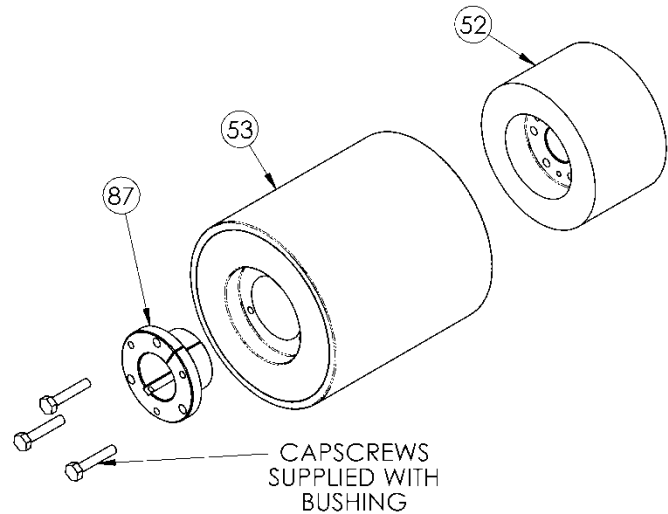
**RELIEF VALVE – OPTIONAL**

Ref. No.	Part Name	Parts Per Pump	Part No.
1	Cap - Relief Valve (R/V)	1	413151
2	Adjusting Screw - R/V	1	433101
4	Cover - R/V	1	414500
5	Capscrews - R/V Cover	4	920335
6	Body - R/V	1	404500
7	Spring Guide - R/V	1	424500
7A	O-Ring - Spring Guide (PTFE)	1	702110
8	Spring - R/V (35-75 psi)	1	471807
	Spring - R/V (76-125 psi)		471808
9	Valve - R/V	1	452201
10	O-Ring - R/V Cover (PTFE)	1	702080
22	Capscrews - R/V Body	6	920335
88	Gasket - R/V Cap	1	533101



**MAGNET OPTIONS**

Ref. No.	Part Name	Parts Per Pump	Part No.
52	Inner Magnet - MC130	1	684515
53	Outer Magnet - MC130	1	684525
	254TC-256TC Frame 284TC-286TC Frame		
87	Bushing Outer Magnet - MC130 254TC-256TC Frame	1	902460
	Bushing Outer Magnet - MC130 284TC-286TC Frame		
	Bushing Outer Magnet - MC130 MC280TC Motor Coupling Adaptor		902461



\* For motor frame sizes larger than 280TC, use Blackmer Motor Coupling Adapter MCA280TC and a foot mounted (Non "C" face) motor.

