

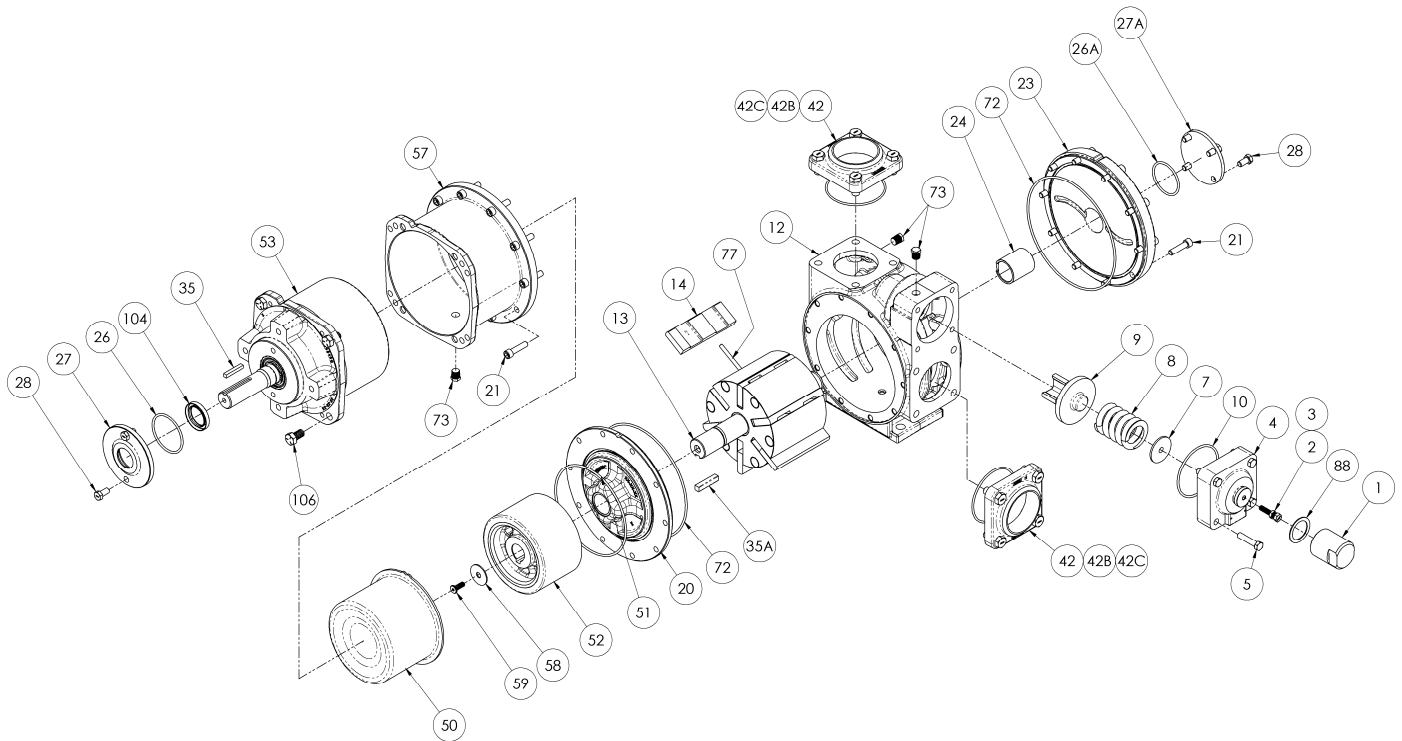
# BLACKMER PARTS LIST

## PUMP MODELS: MAGNES SERIES - MI3 MS3

961802      PARTS LIST  
Page 1 of 2      110-A01

Section 110  
Effective Aug 2021  
Replaces Feb 2021

Keep with Instructions 110-A00 for Installation, Operation, and Maintenance



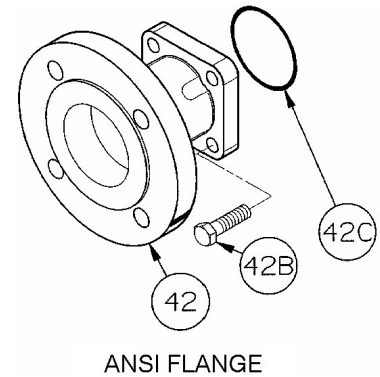
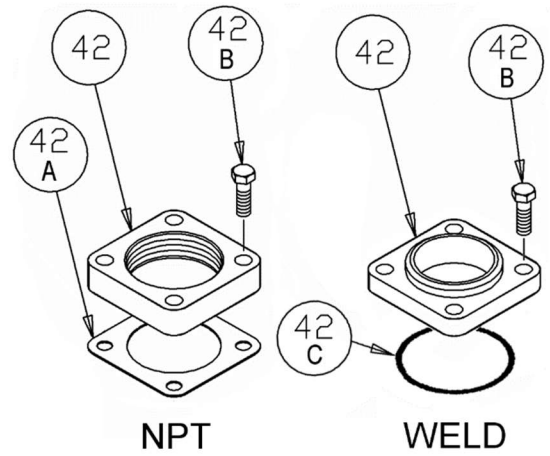
Ref. No.	Description	Qty	MI3 Part No.	MS3 Part No.	Ref. No.	Description	Qty	MI3 Part No.	MS3 Part No.
1	Cap - Relief Valve (R/V)	1	413957	413958	27	Inboard Bearing Cover	1		041602
2	Adjusting Screw - R/V	1	433905	433907	27A	Outboard Bearing Cover	1	041600	041601
3	Locknut - R/V	1	922923	922821	28	Capscrews - Bearing Cover	6	920291	920293
4	Cover - R/V	1	411868	416610	35	Key - Shaft <sup>4,5</sup>	1		909156
5	Capscrew - R/V Cover	4	920384	920382	35A	Key - Wet End <sup>4,5</sup>	1		909157
7	Spring Guide - R/V	1	421805	422201	42	See page 2 for Flange Options			
8	Spring - R/V (51-94 psi)	1	476320		50	Containment Shell	1		686660
	Spring - R/V (95-150 psi)		476314		51	O-ring - Canister (FKM) <sup>4,5</sup>	1		702185
	Spring - R/V (151-200 psi)		471870			O-ring - Canister (PTFE)		702186	
9	Valve - R/V	1	451807	452201		O-ring - Canister (Buna-N)		711948	-
10	O-Ring - R/V Cover (FKM) <sup>4,5</sup>	1	711931		52	Magnet Assembly - Driven	1	686700	686600
	O-Ring - R/V Cover (PTFE)		702080		53	Power End Assembly	1		686599
	O-Ring - R/V Cover (Buna-N)		701936	-	57	Magnet Housing	1		686550
12	Cylinder	1	021805	026500	58	Washer - Driven Magnet	1		906817
	Cylinder (Horizontal Porting)		021835	-	59	Capscrew - Driven Magnet	1		922000
13	Rotor & Shaft <sup>5</sup>	1	266700	266600		O-Ring - Head (FKM) <sup>4,5</sup>	2		702232
14	Vane - Duravane <sup>4,5</sup>	6	091819		72	O-Ring - Head (PTFE)		702233	
	Vane - EC Laminate		091829			O-Ring - Head (Buna-N)		702231	-
20	Head & Bushing Asy. - Inboard	1	036700	036600	73	Hex Head Pipe Plug - 1/4 NPT	3	908198	908193
21	Capscrews - Head	20	920371	920340	77	Push Rods <sup>4,5</sup>	3	121807	126600
23	Head & Bushing Asy. - Outboard	1	031877	036660	88	Gasket - R/V Cap <sup>4,5</sup>	1		533909
24	Bushing (Sleeve Bearing) <sup>4,5</sup>	2	161600		104	Seal	1		904202
26	O-Ring - IB Bearing Cover (FKM)	1	702086		106	Capscrew - Bearing Housing	4		920826
26A	O-Ring - OB Bearing Cover (FKM) <sup>4,5</sup>	1	702038		-	Kit - Maintenance	-	899097	899098
	O-Ring - OB Bearing Cover (PTFE)		702234		-	Kit - Rebuild	-	899197	899198
	O-Ring - OB Bearing Cover (Buna-N)		702037						

<sup>4</sup> Included in Maintenance Kit, kit will include FKM o-rings, gaskets for NPT Flanges (MI3), or FKM O-rings for Weld Flanges (MS3)

<sup>5</sup> Included in Rebuild Kit, kit will include FKM o-rings, gaskets for NPT Flanges (MI3), or FKM O-rings for Weld Flanges (MS3)

## FLANGE OPTIONS

Ref No.	Part Name	Parts Per Pump	MI3 P/N	MS3 P/N
42	Flange - 3" NPT	0-2	651803	-
	Flanng - 3" Weld		655102	652201
	Flange - ANSI 3" 150 lb RF		651817	654500
42A	Gasket - NPT Flange (Comp.) <sup>4,5</sup>	0-2	381816	-
42B	Capscrew - (NPT Flange ONLY)	0-8	920532	-
	Capscrew - Weld		920510	920489
	Capscrew - ANSI Flange		920510	920516
42C	O-ring - Flange (FKM) <sup>4,5</sup>	0-2	701968	
	O-ring - Flange (PTFE)		702101	
	O-ring - Flange (Buna-N)		701937	



## OPTIONAL HYDRAULIC MOTOR ADAPTER PARTS

Ref. No.	Part Name	Parts Per Pump	Part No. 1" Hyd. Motor Shaft
	<b>Hydraulic Motor Adapter Kit</b>		895151
28A	Capscrew – Hydraulic Motor Adapter / Head	4	920540
34	Coupling w/ Setscrew – for straight key hyd. motor shaft	1	907917
35	Key – Coupling	1	909177
76	Grease Fitting	1	317815
76A	Grease Relief Fitting	1	701992
135	Hydraulic Motor Adapter – SAE A Flange	1	041861
135A	Capscrew – Adapter / Motor	2	920510

