

# BLACKMER PARTS LIST

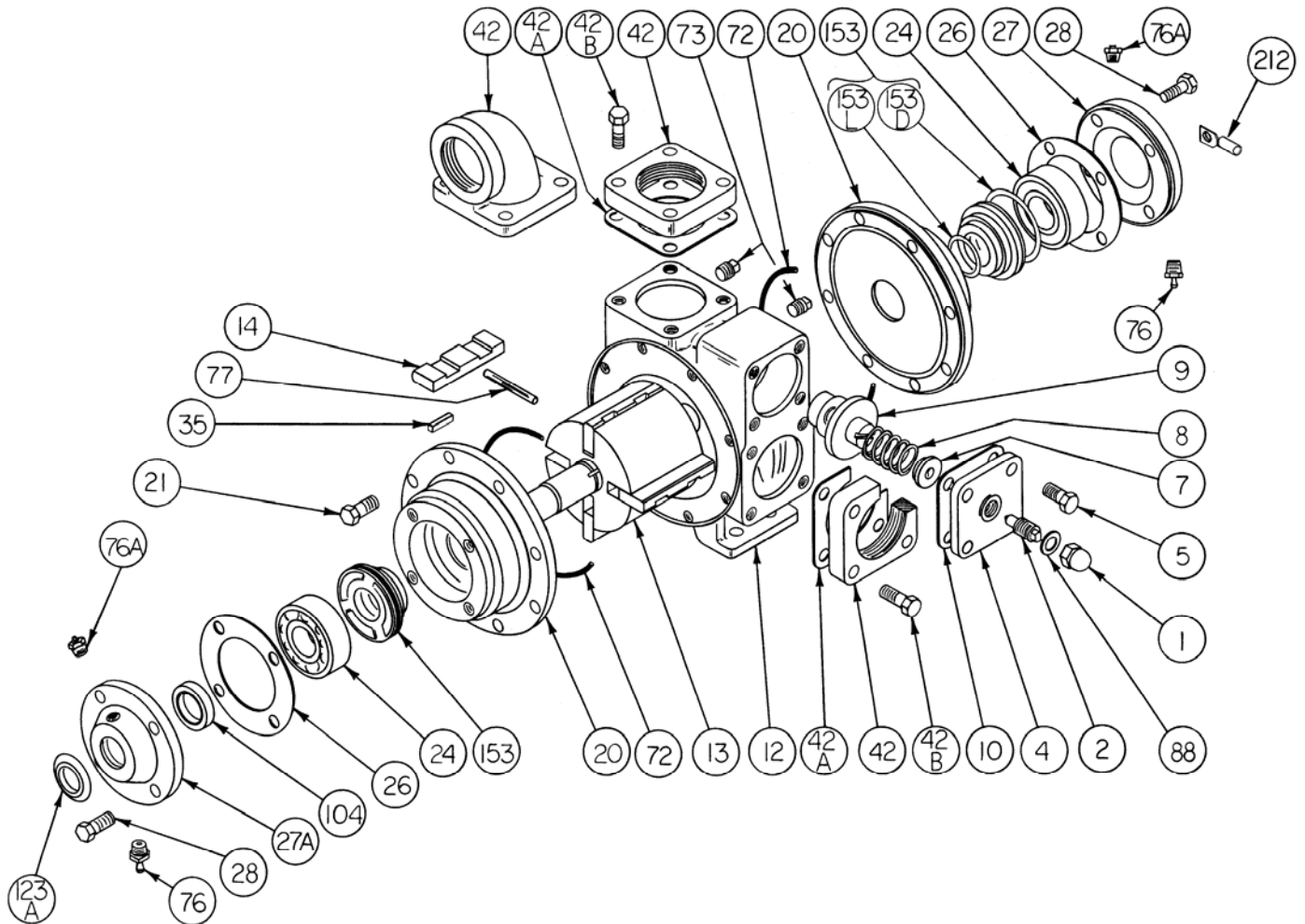
960209  
Page 1 of 2

**PARTS LIST**  
**1701-B02**

## PUMP MODEL: XU2A UL® LISTED

Keep with Instructions 1701-B00 for Installation, Operation and Maintenance

Section 1701  
Effective Apr 2014  
Replaces Feb 2010



Ref. No.	Description	Parts Per Pump	Part No.	Ref. No.	Description	Parts Per Pump	Part No.
1	R/V Cap	1	411453	27A	Bearing Cover – Inboard	1	041431
2	Adjuster – R/V	1	431407	28	Capscrews – Bearing Cover	8	920285
4	Cover – R/V	1	411401	35	Key – Shaft, Square	1	<sup>1</sup> 909209
5	Capscrew – R/V Cover	4	920316	42	Flange – 2" NPT	2	651411
7	Spring Guide – R/V	1	423955	42	Flanged Elbow – 2" NPT	2	651415
8	Spring – R/V (36 – 50 psi)	1	471415	42A	Gasket – Flange	2	381422
9	Valve – R/V	1	451417	42B	Capscrew - Flange	8	920351
10	Gasket – R/V Cover	1	531422	42B	Capscrew – Flanged Elbow	8	920331
12	Cylinder	1	021403	72	O-Ring – Head (Buna-N)	2	702054
13	Rotor & Shaft	1	261410	73	Gage Plug	2	908195
14	Vane – Duravane	4	091419	76	Grease Fitting	2	317815
20	Head	2	031425	76A	Grease Relief Fitting	2	701992
21	Capscrews – Head	16	920331	77	Push Rod	2	123905
24	Ball Bearing	2	903156	88	Gasket – R/V Cap	1	701981
26	Gasket- Bearing Cover	2	383940	104	Grease Seal	1	331918
27	Bearing Cover – Outboard	1	041433	123A	Dirt Shield	1	701480
				153	Mechanical Seal	2	SEE BACKSIDE
				212	Ground Lug	1	927016

<sup>1</sup> Pumps prior to mid-2009 used Woodruff Key 909130

**MECHANICAL SEAL**

Ref. No.	Part Name	Parts Per Pump	Part No.
153	Mechanical Seal Complete Cast Iron Stationary Seat, Carbon Seal Face, Buna-N O-Rings. (INCN)	2	331405
153D	O-Ring - Stationary (Buna-N)	2	702053
153L	O-Ring - Rotating (Buna-N)	2	702162

