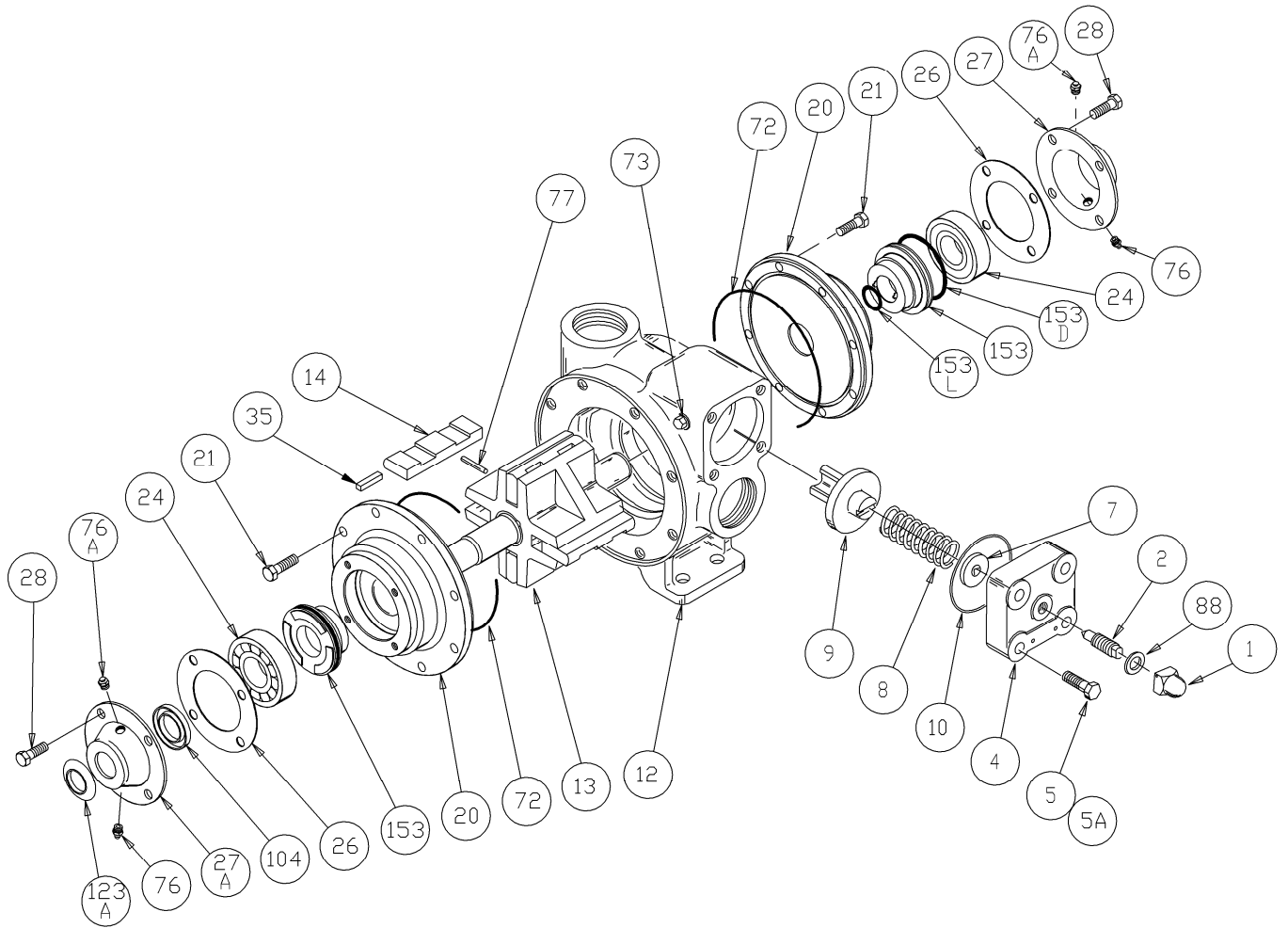


# BLACKMER PARTS LIST

## PUMP MODEL: TX1.5

Keep with Instructions 201-A00 for Installation, Operation and Maintenance

Section | 201  
Effective | Aug 2013  
Replaces | Jan 2012



Ref. No.	Description	Parts Per Pump	Part No.	Ref. No.	Description	Parts Per Pump	Part No.
1	Cap – Relief Valve (R/V)	1	411453	21	Capscrews – Head	16	920331
2	Adjusting Screw – R/V	1	431401	24	Ball Bearing	2	<sup>1</sup> 903156
4	Cover – R/V	1	411469	26	Gasket- Bearing Cover	2	<sup>1</sup> 381406
5	Capscrew – R/V Cover	3	920316	27	Bearing Cover – Outboard	1	041433
5A	Capscrew w / Hole – R/V Cover	1	920310	27A	Bearing Cover – Inboard	1	041431
7	Spring Guide – R/V	1	423955	28	Capscrews – Bearing Cover	8	920285
8	Spring – R/V (36-50 psi)	1	471415	35	Key – Shaft Square	1	<sup>1,2</sup> 909160
	Spring – R/V (51-75 psi)		471420	72	O-Ring – Head (FKM)	2	<sup>1</sup> 702229
	Spring – R/V (76-100 psi) (Std.)		471425		O-Ring – Head (Buna-N)		<sup>1</sup> 702228
	Spring – R/V (101-125 psi)		471428		O-Ring – Head (PTFE)		702230
9	Valve – R/V	1	451416	73	Gage Plug	2	908198
	Valve – R/V (Nickel Plated)		451414	76	Grease Fitting	2	317815
10	O-Ring – R/V Cover (FKM)	1	<sup>1</sup> 702212	76A	Grease Relief Fitting	2	701992
	O-Ring – R/V Cover (Buna-N)		<sup>1</sup> 702211	77	Push Rods	2	<sup>1</sup> 123305
	O-Ring – R/V Cover (PTFE)		702213	88	Gasket – R/V Cap	1	<sup>1</sup> 701981
12	Cylinder	1	021203	104	Grease Seal	1	<sup>1</sup> 331918
13	Rotor & Shaft	1	261205	123A	Dirt Shield	1	<sup>1</sup> 701480
	Vane – Duravane (Std.)		<sup>1</sup> 091219	153	Mechanical Seal	2	See Backside
14	Vane – Bronze	4	093328		Kit – Maintenance, FKM		899179
	Head		031207		Kit – Maintenance, Buna		898949

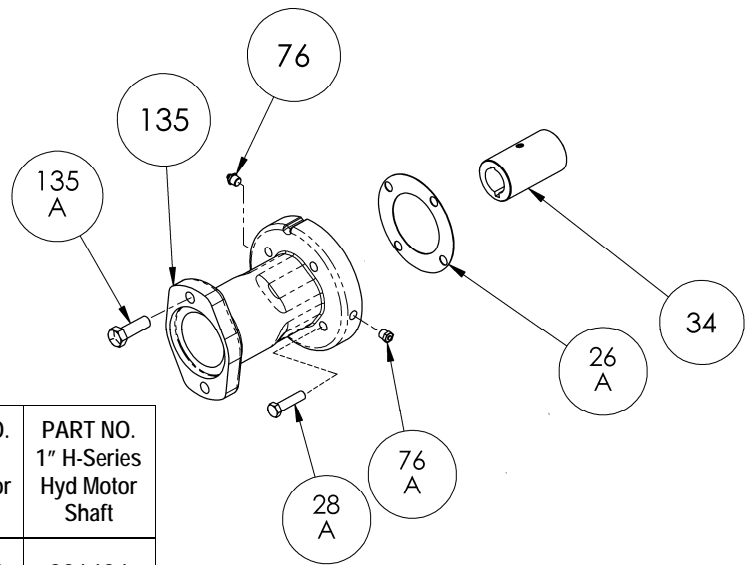
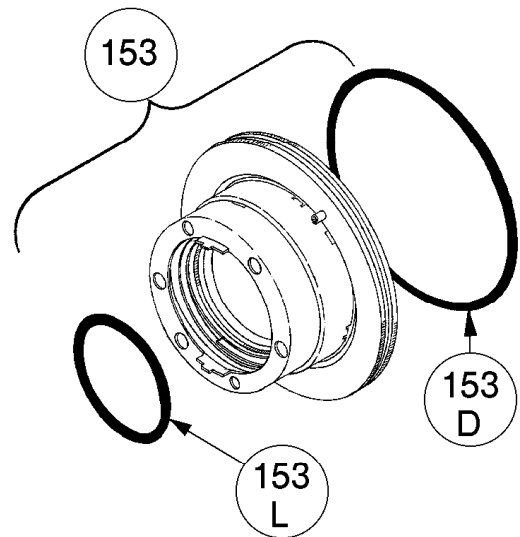
<sup>1</sup> Included in Maintenance Kit      <sup>2</sup> Maintenance Kit also includes Woodruff Key 909130 previously used

## MECHANICAL SEALS

REF. NO.	PART NAME	PARTS PER PUMP	PART NO.
153	Mechanical Seal Complete - Cast Iron Stationary Seat, Carbon Seal Face, FKM O-Rings. (IVCV)	2	<sup>1</sup> 331655
	Mechanical Seal Complete - Cast Iron Stationary Seat, Carbon Seal Face, Buna-N O-Rings. (INCN)		<sup>1</sup> 331601
	Mechanical Seal Complete - Cast Iron Stationary Seat, PTFE O-Ring, Carbon Seal Face w/ PTFE Seal Ring. (IACT)		331673
153D	O-Ring - Stationary (Buna-N)	2	701934
	O-Ring - Stationary (FKM)		701921
	O-Ring - Stationary (PTFE)		702056
153L	O-Ring - Rotating (Buna-N)	2	701922
	O-Ring - Rotating (FKM)		701980
	Seal Ring - Rotating (PTFE)		**

<sup>1</sup> Included in Maintenance Kit

\*\* PTFE Rotating Seal Ring is not available as a separate part.



## OPTIONAL HYDRAULIC MOTOR ADAPTER PARTS

REF. NO.	PART NAME	PARTS PER PUMP	PART NO. 1" Hyd Motor Shaft	PART NO. 1" H-Series Hyd Motor Shaft
See Below	<b>Hydraulic Motor Adapter Kit *</b>	See Below	891205	891464
26A	Gasket – Hydraulic Motor Adapter	1	383940	383940
28A	Capscrew – Hydraulic Motor Adapter / Head	4	920369	920369
34	Coupling w/ Setscrew – for 1" straight key hydraulic motor	1	906966	906966
76	Grease Fitting	1	317815	317815
76A	Grease Relief Fitting	1	701992	701992
135	Hydraulic Motor Adapter – SAE A Flange	1	041827	041807
135A	Capscrew – Adapter / Motor	2	920510	920510

Hydraulic Motor Adapter Kits shipped before Spring 2002 were of a two piece design – refer to page 206-B00.



1809 Century Avenue, Grand Rapids, Michigan 49503-1530, U.S.A.  
 Telephone: (616) 241-1611 / Fax: (616) 241-3752  
 E-Mail: blackmer@blackmer.com / Internet: www.blackmer.com

Parts List 201-A1  
 Page 2 of 2