

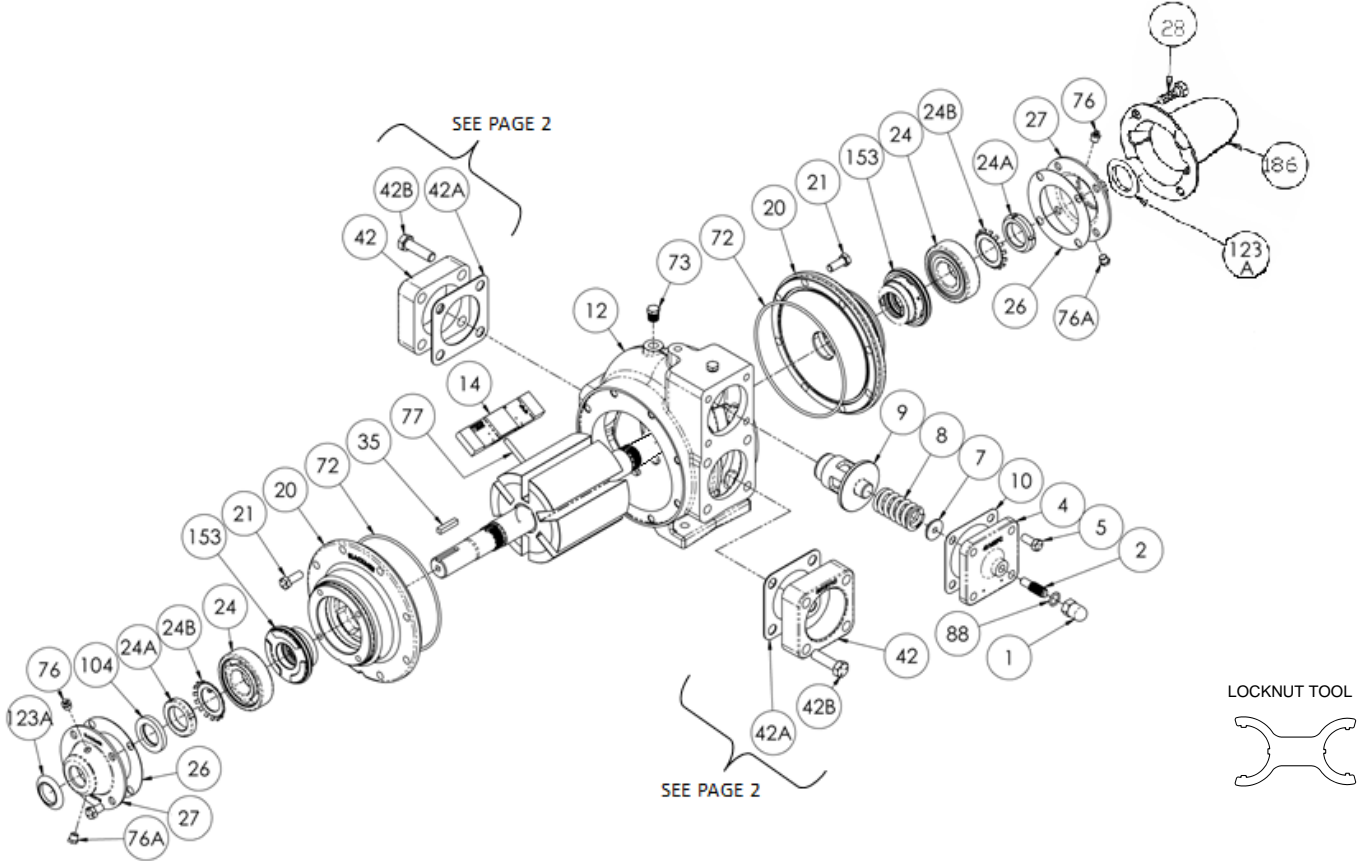
# BLACKMER PARTS LIST

**MODELS: TXDI2.5A** (Double Ended Shaft - Inline)

Keep with Instructions 201-A00 for Installation, Operation and Maintenance

961616 **PARTS LIST**  
Page 1 of 2 **201-A07**

Section 201  
Effective July 2016  
Replaces New



Ref. No.	Description	Parts Per Pump	Part No.	Ref. No.	Description	Parts Per Pump	Part No.
1	Cap – Relief Valve (R/V)	1	411453	28	Capscrews – Bearing Cover	8	920285
2	Adjusting Screw – R/V	1	431401	35	Key – Shaft Square	1	<sup>1</sup> 909209
4	Cover – Relief Valve	1	411607	42	Flanges		See Backside
5	Capscrew – R/V Cover	3	920316	42A	Gasket – Flange		
5A	Capscrew w / Hole – R/V Cover	1	920310	42B	Capscrews – Flange		
7	Spring Guide – R/V	1	423955	72	O-Ring – Head (FKM)		<sup>1</sup> 701914
8	Spring – R/V (51-110 psi) (Std.)	1	471631		O-Ring – Head (Buna-N)	2	<sup>1</sup> 701947
	Spring – R/V (111-125 psi)		471614		O-Ring – Head (PTFE)		702242
9	Valve – R/V <sup>3</sup>	1	451623	73	Gage Plug	2	908198
	Valve – R/V (Nickel Plated)		451624	76	Grease Fitting	2	317815
10	Gasket – R/V Cover	1	<sup>1</sup> 531603	76A	Grease Relief Fitting	2	701992
12	Cylinder – Pump	1	021635	77	Push Rod	3	<sup>1</sup> 121607
13A	Rotor/Shaft Asy. - Double Ended <sup>4</sup>	1	261665	88	Gasket – R/V Cap	1	<sup>1</sup> 701981
	Rotor/Shaft Asy. - Dbl End, Stainless Steel <sup>4</sup>		261671	104	Grease Seal	1 - 2	<sup>1</sup> 331918
14	Vane – Duravane	6	<sup>1</sup> 091619	123A	Dirt Shield	2	<sup>1</sup> 701480
20	Head (Std.)	2	031425	186	Shaft Protector	1	341601
21	Capscrews – Head	16	920331		Tool - Locknut		903091
24	Ball Bearing	2	<sup>1</sup> 903156		Maintenance Kit (FKM)		898957
24A	Locknut – Bearing	2	903521		Maintenance Kit (Buna-N)		898951
24B	Lockwasher – Bearing	2	<sup>1</sup> 903522				
26	Gasket – Bearing Cover	2	<sup>1</sup> 381406				
27A	Bearing Cover	1 - 2	041431				
	Bearing Cover – Outboard, SE shaft	0 - 1	041433				

<sup>1</sup> Included in Maintenance Kit

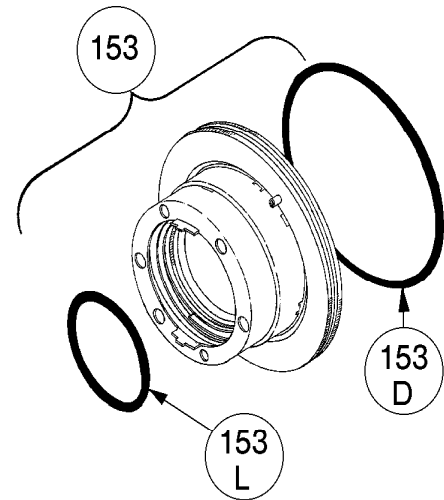
<sup>3</sup> For Piston Style Air Operated RV see IOM 201-G00, Diaphragm Air RV – 201-F00, DMX Diaphragm RV – 201B-B00.

<sup>4</sup> Includes Ref. Nos. 24A & 24B

## MECHANICAL SEALS

REF. NO.	PART NAME	PARTS PER PUMP	PART NO.
153	Mechanical Seal Complete - Cast Iron Stationary Seat, Carbon Seal Face, FKM O-Rings. (IVCV)	2	<sup>1</sup> 331655
	Mechanical Seal Complete - Cast Iron Stationary Seat, Carbon Seal Face, Buna-N O-Rings. (INCN)		<sup>1</sup> 331601
153D	O-Ring – Stationary (FKM)	2	701921
	O-Ring – Stationary (Buna-N)		701934
153L	O-Ring – Rotating (FKM)	2	701980
	O-Ring – Rotating (Buna-N)		701922

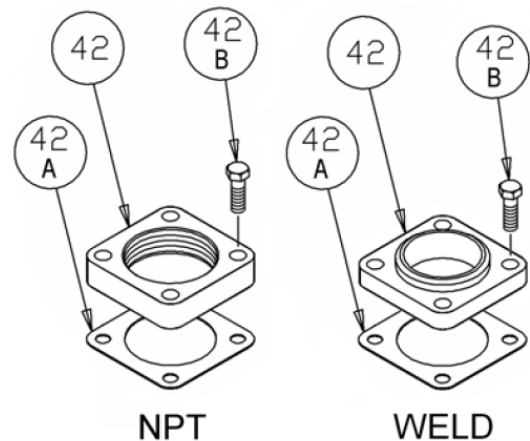
<sup>1</sup> Included in Maintenance Kit



## FLANGES

REF. NO.	PART NAME	PARTS PER PUMP	PART NO.
42	Flange – 2" NPT	1 – 2	651603
	Flange – 2 1/2" NPT		651611
	Flange – 2 1/2" Weld		651608
42A	Gasket – Flange, NPT and Weld	0 – 2	<sup>1</sup> 381650
42B	Capscrews – 2" NPT Flange	4 – 8	920471
	Capscrews – 2 1/2" NPT Flange		920532
	Capscrews – 2 1/2" Weld		920491

<sup>1</sup> Included in Maintenance Kit



## OPTIONAL HYDRAULIC MOTOR ADAPTER PARTS

REF. NO.	PART NAME	PARTS PER PUMP	PART NO. 1-1/4" Hyd Motor Shaft	PART NO. 1" Hyd Motor Shaft
	<b>Hydraulic Motor Adapter Kit *</b>		891458	891205
26A	Gasket – Hydraulic Motor Adapter	1	383940	383940
28A	Capscrew – Hydraulic Motor Adapter / Head	4	920369	920369
34	Coupling w/ Setscrew – for straight key hyd. motor shaft	1	906967	906966
35	Key – Coupling	1	909184	N/A
76	Grease Fitting	1	317815	317815
76A	Grease Relief Fitting	1	701992	701992
135	Hydraulic Motor Adapter – SAE A Flange	1	041828	041827
135A	Capscrew – Adapter / Motor	2	920510	920510

\* Hydraulic Motor Adapters shipped prior to Spring 2002 were a two piece design – refer to 206-B00.

