

BLACKMER PARTS LIST

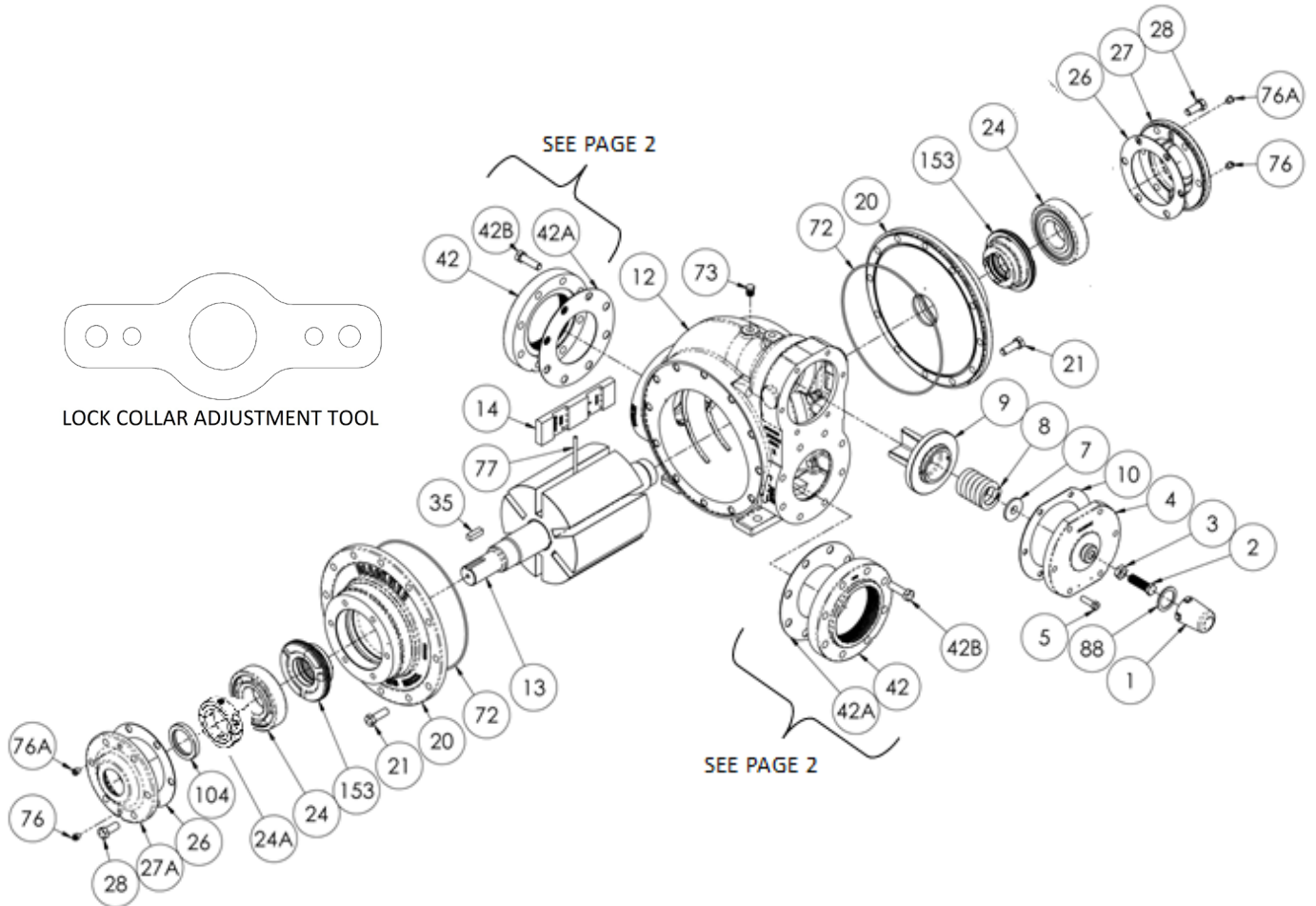
PUMP MODEL: TXI4A

960299
Page 1 of 2

PARTS LIST
201-A09

Keep with Instructions 201-A00 for Installation, Operation and Maintenance

Section 201
Effective June 2023
Replaces Feb 2018

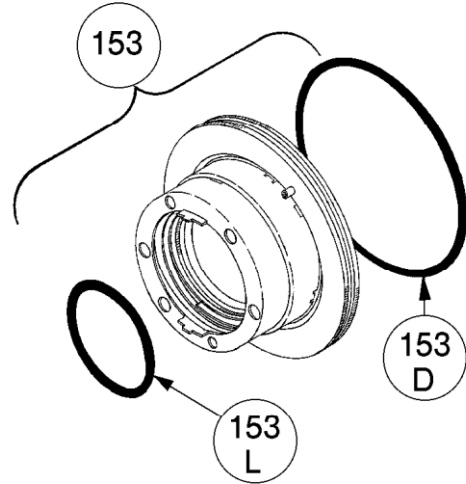


Ref. No.	Description	Parts Per Pump	Part No.	Ref. No.	Description	Parts Per Pump	Part No.
1	Cap – Relief Valve (R/V)	1	413957	24	Ball Bearing	2	¹ 903182
2	Adjusting Screw – R/V	1	436307	24A	Lock Collar – Bearing	2	¹ 721937
3	Locknut – Adjusting Screw	1	436355	24B	Setscrew	4	¹ 922104
4	Cover – R/V	1	411904	24C	Jam Nut	4	¹ 922923
5	Capscrew – R/V Cover	5	920351	26	Gasket – Bearing Cover	2	¹ 386950
5A	Capscrew w / Hole – R/V Cover	1	920348	27	Bearing Cover – Outboard	1	041905
7	Spring Guide – R/V	1	426355	27A	Bearing Cover – Inboard	1	041903
8	Spring, Steel – R/V (35-50 psi)	1	476303	28	Capscrews – Bearing Cover	12	920491
	Spring, Steel – R/V (51-75 psi)		476310	35	Key – Shaft, Square	1	¹ 909149
	Spring, Steel – R/V (76-125 psi)(Std.)		476305	42	Flanges	See Page 2	
9	Valve – R/V (Std.)	1	456315	72	O-Ring – Head (FKM)	2	¹ 702024
	Valve – R/V (Nickel Plated)		456300		O-Ring – Head (Buna-N)		¹ 702023
10	Gasket – R/V Cover	1	¹ 531903		O-Ring – Head (PTFE)		
12	Cylinder	1	021915	73	Gage Plug	2	908198
13	Rotor & Shaft	1	261950	76	Grease Fitting	2	317815
14	Vane – Duravane	6	¹ 091924	76A	Grease Relief Fitting	2	701992
20	Head	2	031908	77	Push Rod	3	¹ 121905
21	Capscrews – Head	24	920510	88	Gasket – R/V Cap	1	¹ 533908
				104	Grease Seal	1	¹ 904190
					Kit – Maintenance, FKM		898959
					Kit – Maintenance, Buna-N		898953
					Lock Collar Adjustment Tool		903099

¹ Included in Maintenance Kit

MECHANICAL SEALS – TX4A MODELS

REF. NO.	PART NAME	PARTS PER PUMP	PART NO.
153	Mechanical Seal Complete - Cast Iron Stationary Seat, Carbon Seal Face w/ FKM O-Rings. (IVCV)	2	1 336982
	Mechanical Seal Complete – Cast Iron Stationary Seat, Carbon Seal Face, Buna-N O-Rings. (INCN)		1 336958
	Mechanical Seal Complete - Cast Iron Stationary Seat, Bronze Seal Face w/ FKM O-Rings. (IVBV)		336984
153D	O-Ring - Stationary (FKM)	2	711932
	O-Ring - Stationary (Buna-N)		701945
153L	O-Ring - Rotating (FKM)	2	701967
	O-Ring - Rotating (Buna-N)		701933



¹ Included in Maintenance Kit

FLANGE OPTIONS

Ref. No.	Part Name	Parts Per Pump	Part No.
42	Flange - 4" NPT (Std.)	2	651900
	Flange - 4" Weld		651905
42A	Gasket - NPT Flange (Std.)	2	1381903
42B	Capscrews - NPT Flange (Std.)	16	920532

¹ Included in Maintenance Kit

