

# BLACKMER PARTS LIST

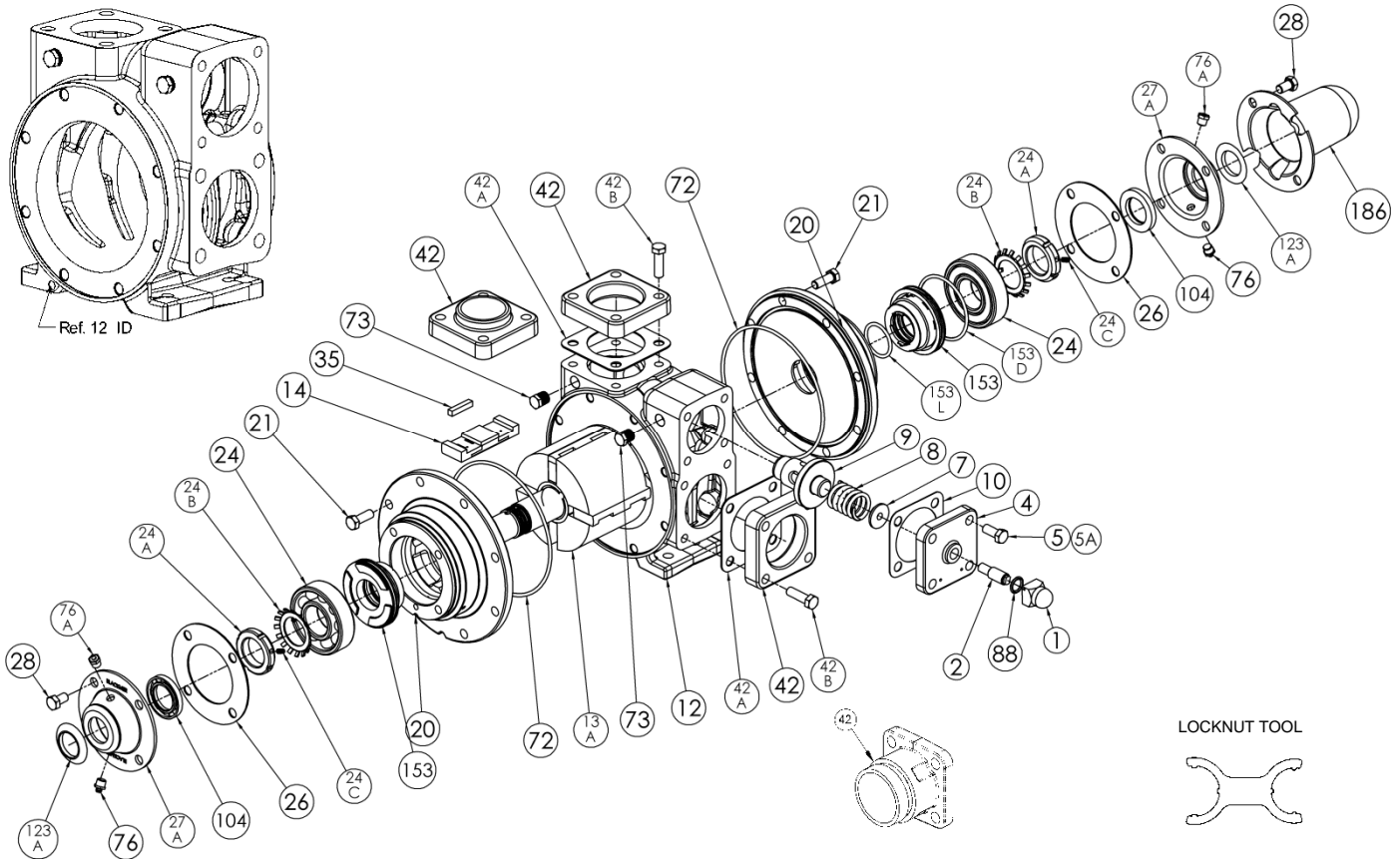
## PUMP MODEL: TXD1220A

961481  
Page 1 of 2

**PARTS LIST**  
**201-D02**

Keep with Instructions 201-D00 for Installation, Operation and Maintenance

Section 201  
Effective Feb 2015  
Replaces July 2010



Ref. No.	Description	Parts Per Pump	Part No.	Ref. No.	Description	Parts Per Pump	Part No.
1	Cap – Relief Valve (R/V)	1	411453	24B	Lock washer - Bearing	2	903522
2	Adjusting Screw – R/V	1	431401	24C	Setscrew – Locknut (in 24A)	2	924060
4	Cover – R/V	1	411401	26	Gasket – Bearing Cover	2	<sup>1</sup> 381406
5	Capscrew – R/V Cover	3	920316	27A	Bearing Cover	2	041431
5A	Capscrew w / Hole – R/V Cover	1	920310	28	Capscrews – Bearing Cover	8	920285
7	Spring Guide – R/V	1	423955	35	Key – Shaft	1	<sup>1</sup> 909209
8	Spring – R/V (36-50 psi)	1	471415	42 –	Flanges, Flange Gaskets / O-rings,		See
	Spring – R/V (51-75 psi)		471420	42C	and Flange Capscrews		Backside
	Spring – R/V (76-110 psi) (Std.)		471425	72	O-Ring – Head (FKM)	2	<sup>1</sup> 701914
	Spring – R/V (111-125 psi)		471428		O-Ring – Head (Buna-N)		701947
9	Valve – R/V (Std.)	1	451417	73	Gage Plug	2	908198
	Valve – R/V (Ni Plated)		451415	76	Grease Fitting	2	317815
10	Gasket – R/V Cover	1	<sup>1</sup> 531403	76A	Grease Relief Fitting	2	701992
12	Cylinder (Note Series 1200 ID mark)	1	021480	88	Gasket – R/V Cap	1	<sup>1</sup> 701981
13A	Rotor & Shaft – Double Ended	1	<sup>2</sup> 261480	104	Grease Seal	2	<sup>1</sup> 331918
14	Vane – Duravane	4	<sup>1</sup> 091419	123A	Dirt Shield	2	<sup>1</sup> 701480
20	Head (Std.)	2	031425	186	Shaft Protector	1	341601
21	Capscrews – Head	16	920331		Air Valve Kit		891454
24	Ball Bearing	2	<sup>1</sup> 903156		Tool - Locknut		903091
24A	Locknut Assembly w/ setscrew 24C	2	<sup>1</sup> 903583		Kit – Maintenance (TXD1225A)		899180

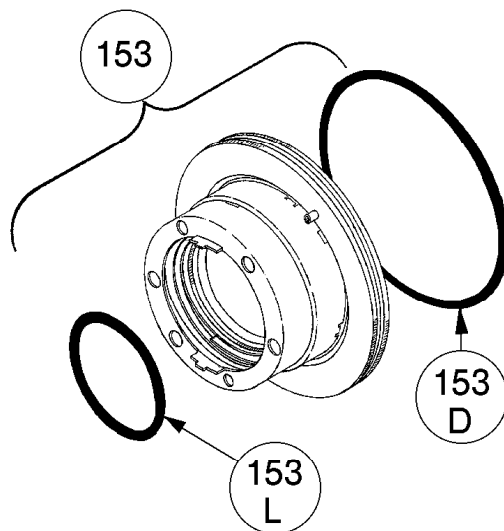
<sup>1</sup> Included in Maintenance Kit

<sup>2</sup> Includes 24A, 24B & 24C

## MECHANICAL SEALS

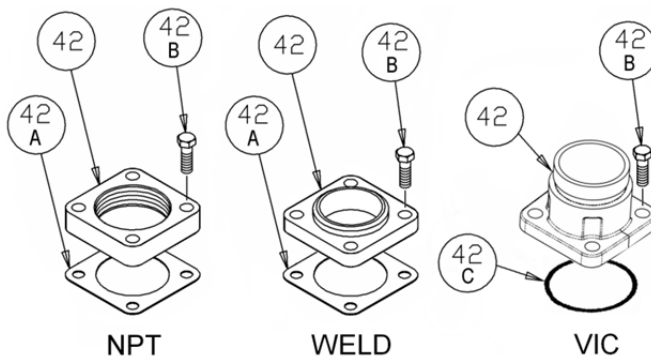
REF. NO.	PART NAME	PARTS PER PUMP	PART NO.
153	Mechanical Seal Complete Cast Iron Stationary Seat, FKM O-Rings, Carbon Seal Face. (IVCV)	2	<sup>1</sup> 331655
	Mechanical Seal Complete Cast Iron Stationary Seat, Buna-N O-Rings, Carbon Seal Face. (INCN)		331601
153D	O-Ring – Stationary (FKM)	2	701921
	O-Ring – Stationary (Buna-N)		701934
153L	O-Ring – Rotating (FKM)	2	701980
	O-Ring – Rotating (Buna-N)		701922

<sup>1</sup> Included in Maintenance Kit



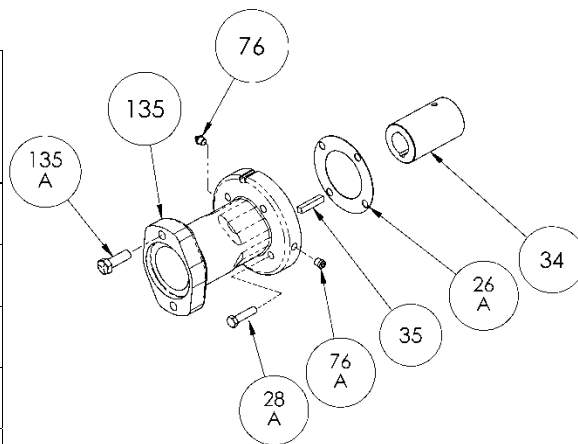
## FLANGES

REF. NO.	PART NAME	PARTS PER PUMP	PART NO.
42	Flange – 2" NPT	1 – 2	651411
	Flange – 2" Weld		654405
	Flange – 2" Victaulic		654408
42A	Gasket – Flange, NPT and Weld	0 – 2	<sup>1</sup> 381421
42B	Capscrews – 2" NPT Flange	4 – 8	920351
	Capscrews – Victaulic Flanges		920331
42C	O-Ring – Victaulic Flange (FKM)	0 – 2	702086
	O-Ring – Victaulic Flange (Buna-N)		702004



## OPTIONAL HYDRAULIC MOTOR ADAPTER

REF. NO.	PART NAME	PARTS PER PUMP	PART NO. 1-1/4" Hyd Motor Shaft	PART NO. 1" Hyd Motor Shaft	PART NO. 1" H-Series Hyd Motor Shaft
See Below	<b>Hydraulic Motor Adapter Kit</b>	See Below	891458	891205	891464
26A	Gasket – Hydraulic Motor Adapter	1	383940	383940	383940
28A	Capscrew – Hydraulic Motor Adapter / Head	4	920369	920369	920369
34	Coupling w/ Setscrew – for straight key hyd. motor shaft	1	906967	906966	906966
35	Key – Coupling	1	909184	N/A	N/A
76	Grease Fitting	1	317815	317815	317815
76A	Grease Relief Fitting	1	701992	701992	701992
135	Hydraulic Motor Adapter – SAE A Flange	1	041828	041827	041807
135A	Capscrew – Adapter / Motor	2	920510	920510	920510



1809 Century Avenue, Grand Rapids, Michigan 49503-1530, U.S.A.  
 Telephone: (616) 241-1611 / Fax: (616) 241-3752  
 E-Mail: blackmer@blackmer.com / Internet: www.blackmer.com