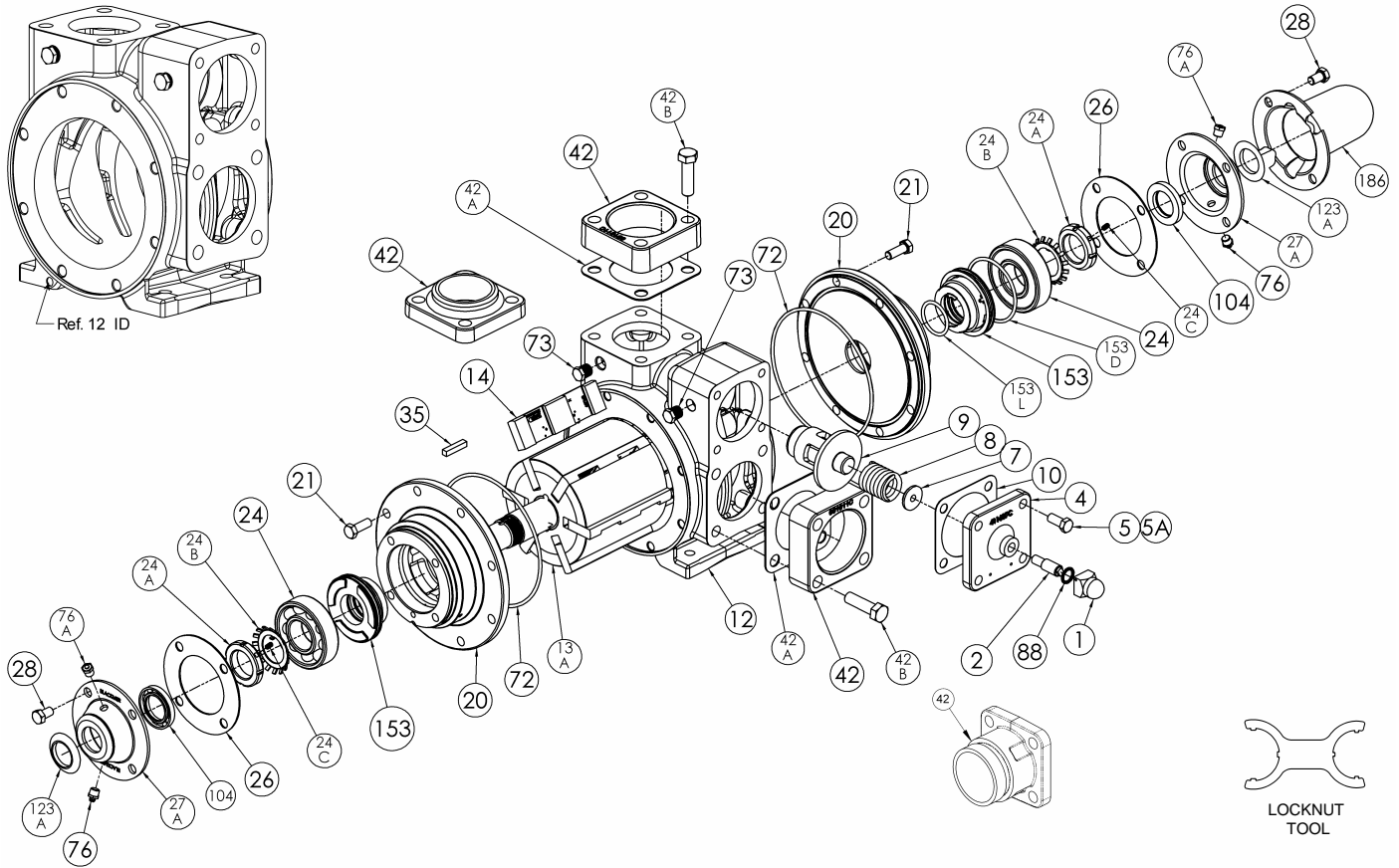


# BLACKMER PARTS LIST

## PUMP MODELS: TXD1225A

Keep with Instructions 201-D00 for Installation, Operation and Maintenance

Section    201  
Effective   Dec 2008  
Replaces   June 2008



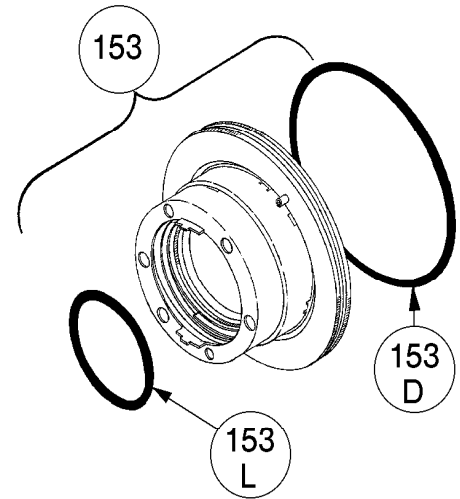
Ref. No.	Description	Parts Per Pump	Part No.	Ref. No.	Description	Parts Per Pump	Part No.
1	Cap – Relief Valve (R/V)	1	411453	26	Gasket – Bearing Cover	2	381406
2	Adjusting Screw – R/V	1	431401	27A	Bearing Cover	2	041431
4	Cover – Relief Valve	1	411607	28	Capscrews – Bearing Cover	8	920285
5	Capscrew – R/V Cover	3	920316	35	Key – Shaft	1	909209
5A	Capscrew w / Hole – R/V Cover	1	920310	42	Flanges		See Backside
7	Spring Guide – R/V	1	423955	42A	Gasket – Flange		
8	Spring – R/V (51-110 PSI) (Std.) Spring – R/V (111-125 PSI)	1	471631 471614	42B	Capscrews – Flange		
9	Valve – R/V – Standard <sup>3</sup> Valve – R/V – Nickel Plated	1	451623 451624	42C	O-Ring – Victaulic Flanges		
10	Gasket – R/V Cover	1	531603	72	O-Ring – Head (FKM)	2	701914
12	Cylinder (Note Series 1200 ID mark)	1	021680	73	Gage Plug	2	908198
13A	Rotor & Shaft Assembly <sup>2</sup>	1	261680	76	Grease Fitting	2	317815
14	Vane – Duravane	6	091619	76A	Grease Relief Fitting	2	701992
20	Head	2	031425	88	Gasket – R/V Cap	1	701981
21	Capscrews – Head	16	920331	104	Grease Seal	2	331918
24	Ball Bearing	2	903156	123A	Dirt Shield	2	701480
24A	Locknut Assembly w/setscrew 24C	2	903583	186	Shaft Protector	1	341601
24B	Lockwasher – Bearing	2	903522		Air Valve Kit – Piston Type (FKM)		891716
24C	Setscrew – Locknut (in 24A)	2	924060		Tool - Locknut		903091
					Kit – Maintenance (TXD1225A)		899181

<sup>1</sup> Included in Maintenance Kit    <sup>2</sup> Includes Ref. Nos. 24A, 24B, & 24C    <sup>3</sup> For Piston Style Air Operated RV see IOM 201-G00.

## MECHANICAL SEALS

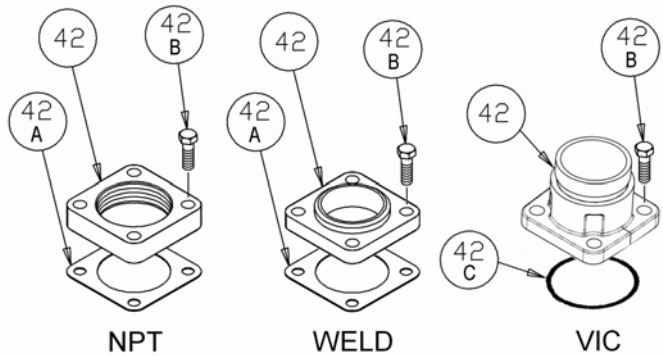
REF. NO.	PART NAME	PARTS PER PUMP	PART NO.
153	Mechanical Seal Complete - Cast Iron Stationary Seat, Carbon Seal Face, FKM O-Rings. (IVCV)	2	<sup>1</sup> 331655
153D	O-Ring – Stationary (FKM)	2	701921
153L	O-Ring – Rotating (FKM)	2	701980

<sup>1</sup> Included in Maintenance Kit



## FLANGES

REF. NO.	PART NAME	PARTS PER PUMP	PART NO.
42	Flange – 2" NPT	1 – 2	651603
	Flange – 2 ½" NPT		651611
	Flange – 2 ½" Weld		651608
	Flange – 2" Victaulic		655116
	Flange – 2 ½" Victaulic		655117
	Flange – 3" Victaulic		655118
42A	Gasket – Flange, NPT and Weld	0 – 2	<sup>1</sup> 381650
42B	Capscrews – 2" NPT Flange	4 – 8	920471
	Capscrews – 2 ½" NPT Flange		920532
	Capscrews – 2 ½" Weld		920491
	Capscrews – Victaulic Flanges		920491
42C	O-Ring – Victaulic Flange (FKM)	0 – 2	701924



## OPTIONAL HYDRAULIC MOTOR ADAPTER PARTS

REF. NO.	PART NAME	PARTS PER PUMP	PART NO. 1-¼" Hyd Motor Shaft	PART NO. 1" Hyd Motor Shaft
	<b>Hydraulic Motor Adapter Kit</b>		891458	891205
26A	Gasket – Hydraulic Motor Adapter	1	383940	383940
28A	Capscrew – Hydraulic Motor Adapter / Head	4	920369	920369
34	Coupling w/ Setscrew – for straight key hyd. motor shaft	1	906967	906966
35	Key – Coupling	1	909184	N/A
76	Grease Fitting	1	317815	317815
76A	Grease Relief Fitting	1	701992	701992
135	Hydraulic Motor Adapter – SAE A Flange	1	041828	041827
135A	Capscrew – Adapter / Motor	2	920510	920510

