

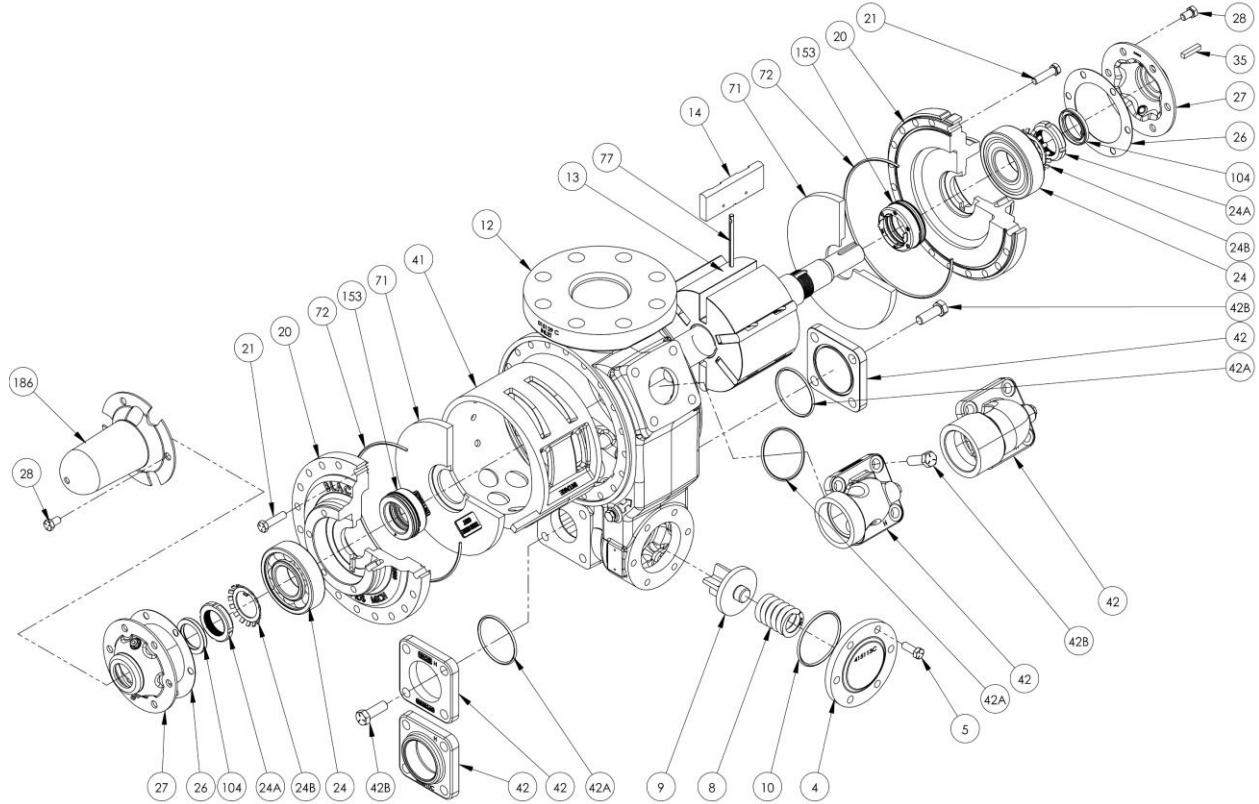
# BLACKMER PARTS LIST

## PUMP MODEL: TLGLF3HD

960428      **PARTS LIST**  
Page 1 of 2      **501-N01**

|           |          |
|-----------|----------|
| Section   | 501      |
| Effective | Dec 2020 |
| Replaces  | New      |

Keep this parts list with Installation, Operation and Maintenance Instructions 501-N00



| Ref. No. | Description                   | Parts Per Pump | Part No.            | Ref. No.                        | Description                         | Parts Per Pump | Part No.            |      |                     |
|----------|-------------------------------|----------------|---------------------|---------------------------------|-------------------------------------|----------------|---------------------|------|---------------------|
| 4        | Cover - Relief Valve (R/V)    | 1              | 415113              | 42                              | Aux Inlet - 2" NPT Flange           | 4 1            | 652010              |      |                     |
| 5        | Capscrew - R/V Cover          | 6              | 920331              |                                 | Aux Inlet - 2" Weld Flange          |                | 652024              |      |                     |
| 8        | Spring - R/V                  | 1              | <sup>1</sup> 475135 |                                 | Aux Inlet - 2" NPT Elbow Flange     |                | 655100              |      |                     |
| 9        | Valve - R/V                   | 1              | 455129              |                                 | Aux Inlet - 2" Weld Elbow Flange    |                | 655109              |      |                     |
| 10       | O-Ring - R/V Cover            | 1              | <sup>1</sup> 701925 |                                 | Aux Inlet - Blank Flange            |                | 652036              |      |                     |
| 12       | Casing                        | 1              | 015129              |                                 | Aux Inlet - 2" NPT SS Flange        |                | 655200              |      |                     |
| 13       | Rotor & Shaft Assembly        | 1              | <sup>2</sup> 265148 |                                 | Aux Inlet - 2" Weld Elbow SS Flange |                | 655209              |      |                     |
| 14       | Vane - Duravane               | 6              | <sup>1</sup> 095131 |                                 | Aux Inlet - 2" Weld SS Flange       |                | 655224              |      |                     |
| 20       | Head                          | 2              | 035128              |                                 | 42A                                 |                | O-Ring – Flange     | 3    | <sup>1</sup> 702004 |
| 21       | Capscrews - Head              | 40             | 920369              |                                 | 42B                                 |                | Capscrew - Flanges  | 5 12 | 920491              |
| 24       | Ball Bearing                  | 2              | <sup>1</sup> 903166 | Socket Capscrew – Elbow Flanges | 920494                              |                |                     |      |                     |
| 24A      | Locknut - Bearing             | 2              | <sup>2</sup> 903523 | 71                              | Disc                                | 2              | <sup>1</sup> 065112 |      |                     |
| 24B      | Lockwasher - Bearing          | 2              | <sup>1</sup> 903524 | 72                              | O-Ring – Head                       | 2              | <sup>1</sup> 702041 |      |                     |
| 26       | Gasket - Bearing Cover        | 2              | <sup>1</sup> 385125 | 73                              | Gage Plug                           | 3              | 908198              |      |                     |
| 27       | Bearing Cover                 | 2              | 041815              | 74                              | Key - Liner                         | 1              | <sup>2</sup> 185191 |      |                     |
| 28       | Capscrews - Bearing Cover     | 12             | 920285              | 76                              | Grease Fitting                      | 2              | 317815              |      |                     |
| 35       | Key – Shaft, 1/4" Square      | 1              | <sup>1</sup> 909209 | 76A                             | Grease Relief Fitting               | 2              | 701992              |      |                     |
| 41       | Liner                         | 1              | <sup>2</sup> 185111 | 77                              | Push Rod                            | 3              | <sup>1</sup> 125110 |      |                     |
| 42       | Discharge - Blank Flange      | <sup>3</sup> 1 | 652036              | 104                             | Grease Seal                         | 2              | <sup>1</sup> 331908 |      |                     |
|          | Discharge - 2" NPT Flange     |                |                     | 123                             | Dirt Shield                         | 2              | <sup>1</sup> 701481 |      |                     |
|          | Discharge - 2" Weld Flange    |                |                     | 186                             | Shaft Protector                     | 1              | 341801              |      |                     |
|          | Discharge - 2" NPT SS Flange  |                |                     | —                               | Tool - Locknut                      | —              | 903091              |      |                     |
|          | Discharge - 2" Weld SS Flange |                |                     | —                               | Kit – Maintenance                   | —              | 898971              |      |                     |
| —        | —                             | —              | —                   | —                               | Kit – Rebuild                       | —              | 899071              |      |                     |

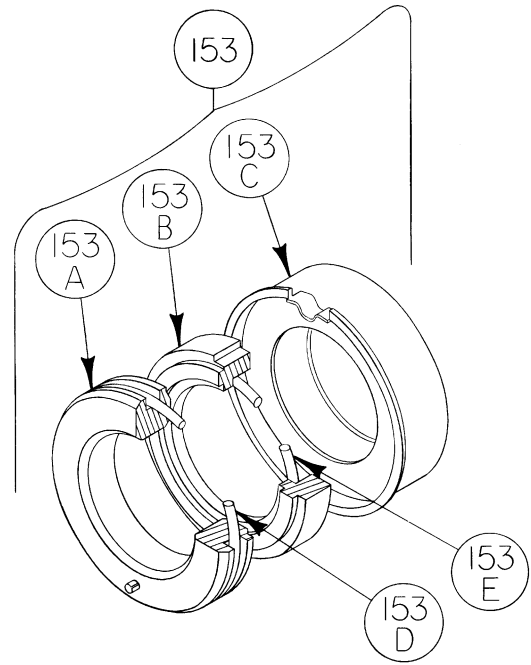
<sup>1</sup> Included in Maintenance Kit and Rebuild Kit    <sup>2</sup> Included in Rebuild Kit    <sup>3</sup> Two Discharge Flanges, One Blank and One Optional  
<sup>4</sup> One Aux Inlet Flange Total    <sup>5</sup> 12 Capscrews Total, Type(s) Depends on Configured Flanges

MECHANICAL SEAL – NH<sub>3</sub> OR DUAL SERVICE – SNCN (ID Code = QA)

| Ref. No. | Part Name                    | Parts Per Pump | Part No. |
|----------|------------------------------|----------------|----------|
| 153      | Mechanical Seal Assembly     | 2              | 1 335225 |
| 153A     | Stationary Seat (Steel)      | 2              | **       |
| 153B     | Seal Face (Carbon)           | 2              | **       |
| 153C     | Jacket Assembly              | 2              | **       |
| 153D     | O-Ring - Stationary (Buna-N) | 2              | 702025   |
| 153E     | O-Ring - Rotating (Buna-N)   | 2              | 711912   |

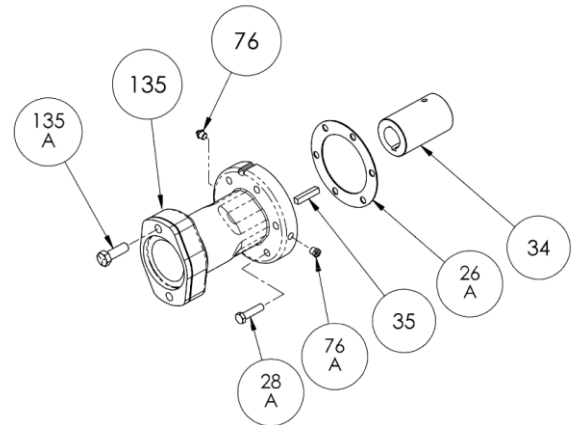
<sup>1</sup> Included in Maintenance Kit and Rebuild Kit

\*\* NOTE: Mechanical Seal Ref. No. 153 is only sold as a complete assembly. Ref. Nos. 153A, 153B & 153C are not available as separate replacement parts.



OPTIONAL HYDRAULIC MOTOR ADAPTER PARTS

| REF. NO.  | PART NAME  | PARTS PER PUMP | PART NO. 1-1/4" Hyd Motor Shaft | PART NO. 1" Hyd Motor Shaft . |
|-----------|--|----------------|---------------------------------|-------------------------------|
| See Below | <b>Hydraulic Motor Adapter Kit *</b>                 | See Below      | 895140                          | 895143                        |
| 26A       | Gasket – Hydraulic Motor Adapter                     | 1              | 381817                          | 381817                        |
| 28A       | Capscrew – Hydraulic Motor Adapter / Head            | 4              | 920369                          | 920369                        |
| 34        | Coupling w/ Setscrew – straight key hyd. motor shaft | 1              | 906967                          | 906990                        |
| 35        | Key – Coupling                                       | 1              | 909184                          | 909184                        |
| 76        | Grease Fitting                                       | 1              | 317815                          | 317815                        |
| 76A       | Grease Relief Fitting                                | 1              | 701992                          | 701992                        |
| 135       | Hydraulic Motor Adapter – SAE A Flange               | 1              | 041831                          | 041831                        |
| 135A      | Capscrew – Adapter / Motor                           | 2              | 920510                          | 920510                        |



\* Hydraulic Motor Adapter Kits shipped prior to Spring 2002 were a two two piece design – refer to page 206-C00.

