



960525	PARTS LIST
Page 1 of 8	502-C03
Section	502
Effective	Jul 2023
Replaces	Nov 2019

LB361B PARTS LIST

(See Instructions 502-C00 for Operation and Maintenance)

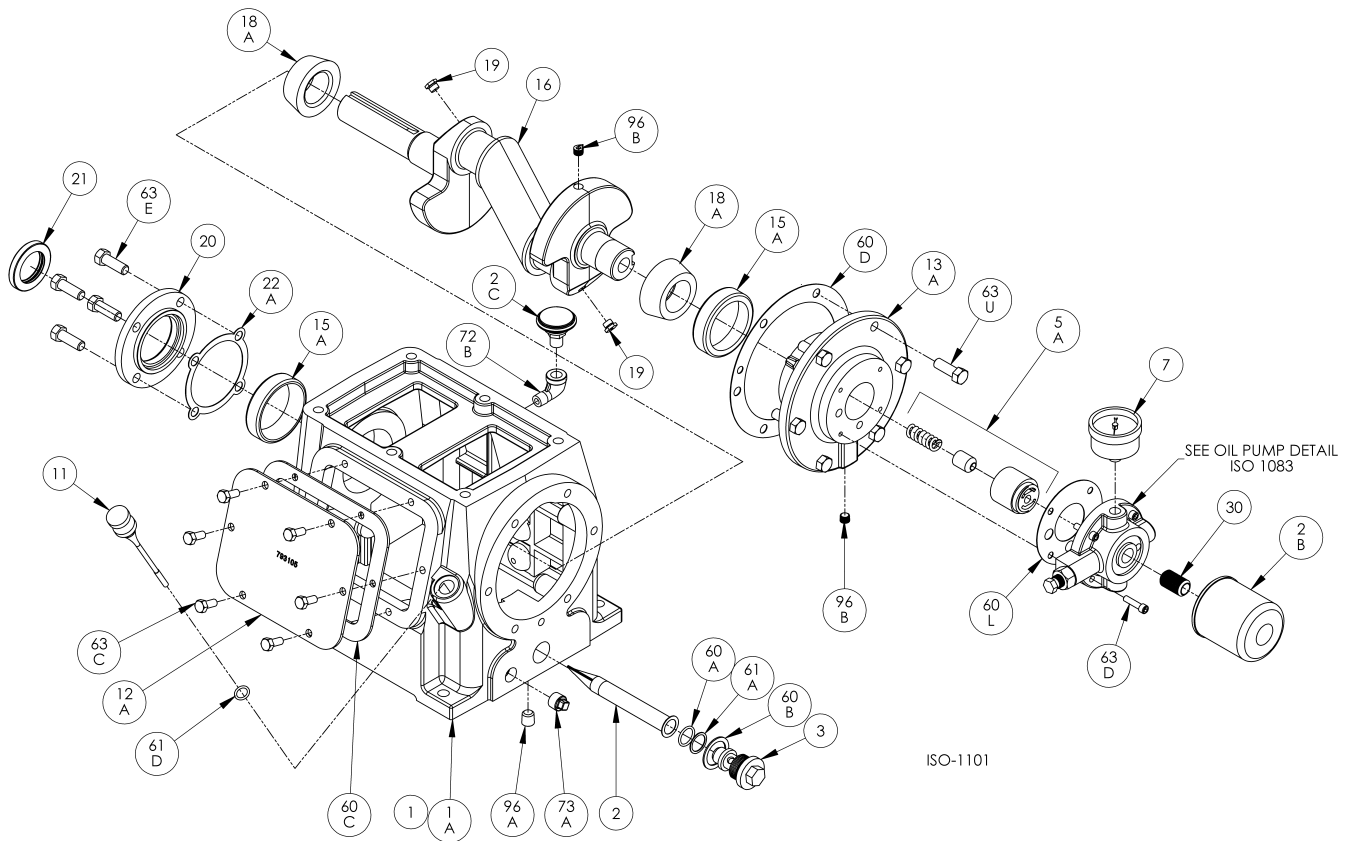
Serial # _____

ID# _____

Gasket Set, Repair Kits and Special Tools		
Gasket Set	Buna-N & Aluminum	793099
Top End Repair Kit		793229
Includes Piston Rings & Expanders, Packing Sets, Valves, Gaskets, Oil Filter & O-rings		
Intermediate Repair Kit		793230
Includes Top End Kit plus Connecting Rod Bearings, Crossheads, Wrist Pins, Bushings and Plugs.		
Packing Installation Tool		790536
Spanner Wrench, 1/4" Adjustable		790316
Tool Kit		790199
Piston Tool		798004

Content Needed For Complete Parts List	
Cover Page	1
Crankcase	2
Oil Pump	3
Flywheel	4
Crosshead	5
Cylinder	6
Head	7

Notes:



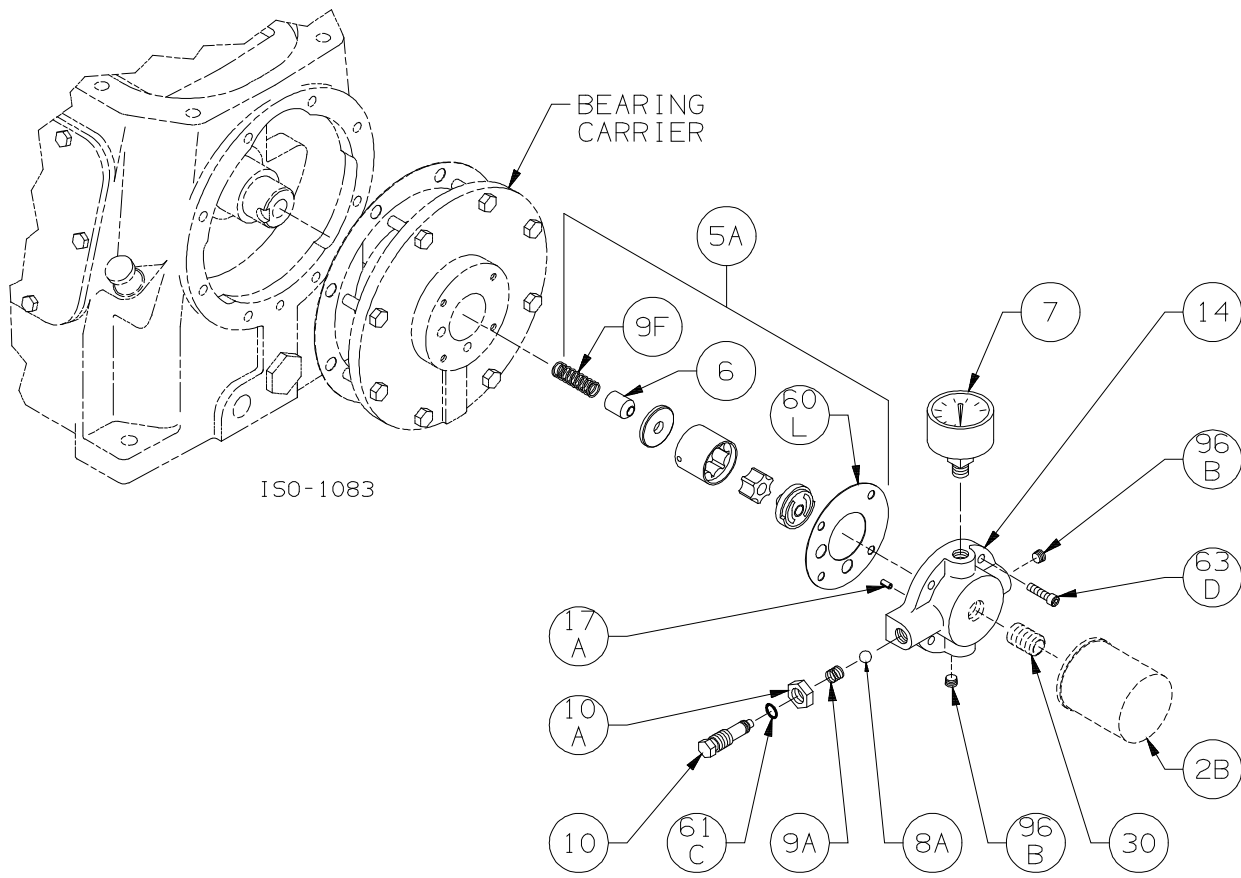
Crankcase Assembly: Models LB361B, LB362D

ISO1101

Ref	Description	Qty	Part No
1	Crankcase Assembly – with Oil Filter (Std)	1	793100
	Crankcase Assembly - no Oil Filter		793103
	Crankcase Assembly - w\ Ext Shaft		793155
	Crankcase Assy - w\ Ext Shaft & Oil Filter		793171
1A	Crankcase	1	793102
2	Oil Intake Screen	1	792135
2B	Oil Filter	1	794726
2C	Breather Filter	1	792070
3	Oil Screen Plug	1	792145
5A	Oil Pump Kit	1	794760
7	Oil Pressure Gauge	1	790012
11	Oil Bayonet Assembly	1	792162
12A	Inspection Plate	1	793105
13A	Bearing Carrier	1	793104
15A	Bearing Cup	2	793126
16	Crankshaft Assembly (w\ 18A,19,96B)	1	793157
	Crankshaft Assembly-Ext (w\ 18A,19,96B)		793191
18A	Bearing Cone	2	793142
19	Orifice	2	792146

Ref	Description	Qty	Part No
20	Bearing Cover Plate	1	793106
21	Oil Seal	1	793143
22A	Bearing Adjustment Shim Kit	1	793133
30	Oil Filter Fitting	1	794725
60A	Gasket - Oil Screen *	1	792136
60B	Gasket - Oil Screen Plug *	1	792123
60C	Gasket - Inspection Plate *	1	793122
60D	Gasket - Bearing Carrier Assembly *	1	793124
60L	Gasket - Oil Pump Cover *	1	794721
61A	O-Ring - Oil Screen *	1	792175
61D	O-Ring - Oil Bayonet *	1	792174
63C	Capscrew - Hex Hd	6	793116
63D	Capscrew - Soc Hd	4	790559
63E	Capscrew - Hex Hd	4	792093
63U	Capscrew - Hex Hd	6	792093
72B	Elbow	1	790453
73A	Pipe Plug	1	792166
96A	Pipe Plug	1	790488
96B	Pipe Plug	2	790309

* Included in Gasket Sets



Oil Pump Detail:

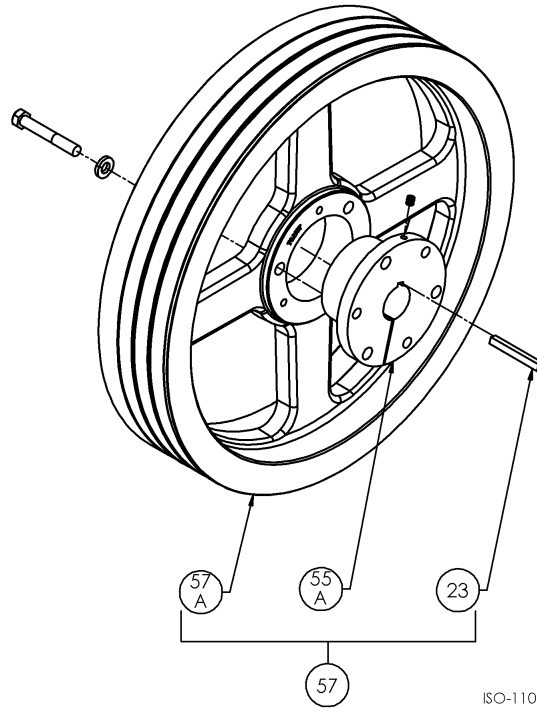
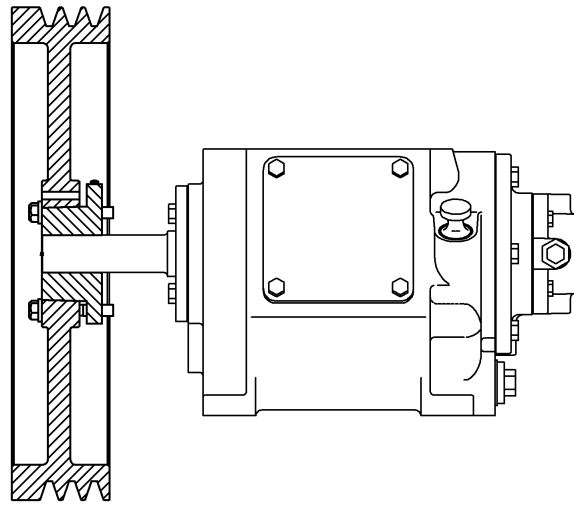
Models LB081B, LB082B, LB161B, LB162B, LB361B, LB362D,
 LB601B, LB602B, LB602C, LB942A, LB942B, LB943B

ISO1083

Ref	Description	Qty	Part No
2B	Oil Filter	1	794726
5A	Oil Pump Kit (with 6, 9F, 60L)		794760
6	Oil Pump Cone	1	794750
7	Oil Pressure Gauge	1	790012
8A	Oil Pressure Adj. Ball	1	792154
9A	Oil Pressure Adj. Spring	1	792153
9F	Oil Pump Spring	1	794751
10	Oil Pressure Adj. Screw	1	792148
10A	Locknut	1	792152

Ref	Description	Qty	Part No
	Oil Pump Cover Assembly - For Filter		794764
14	Oil Pump Cover Assembly (both include 17A, 96B)	1	794763
17A	Roll Pin	1	794753
30	Oil Filter Fitting	1	794725
60L	Gasket - Oil Pump Cover *	1	794721
61C	O-Ring - Adjusting Screw *	1	792168
63D	Capscrew - Socket Head	4	790559
96B	Pipe Plug	2	790309

* Included in Gasket Sets



ISO-1106

Flywheel Assembly:

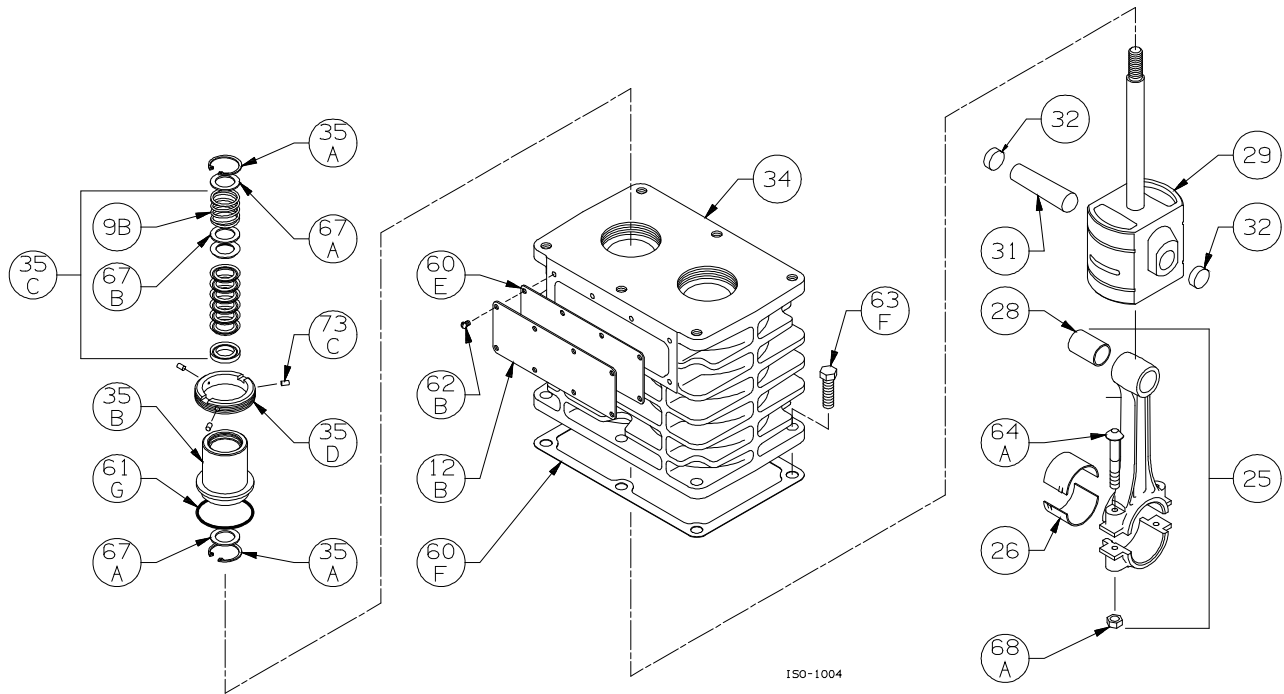
S1106

Models LB081B, LB082B, LB161B, LB162B

Models LB361B, LB362D

Ref	Description	Qty	Part No
23	Key	1	792167
55A	Hub (SF 1.25")	1	790563
57	Flywheel Assembly	1	792073
57A	Flywheel	1	792197

Ref	Description	Qty	Part No
23	Key	1	793167
55A	Hub	1	790143
57	Flywheel Assembly	1	793047
57A	Flywheel	1	792197



Crosshead Assembly: Models LB361, LB361A, LB361B

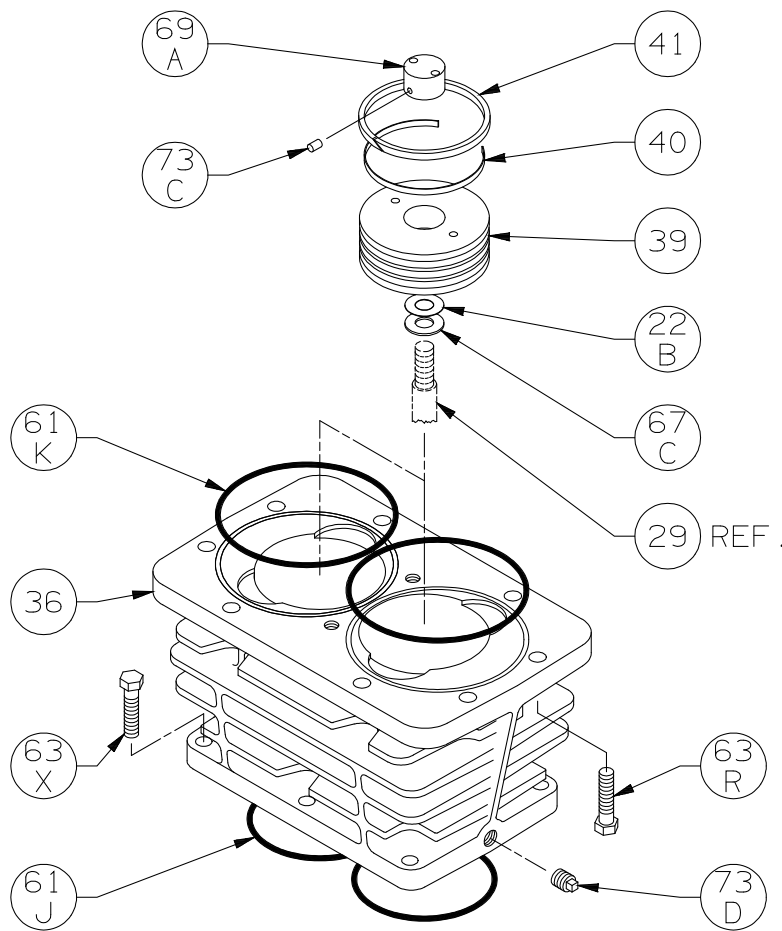
ISO1004

Ref	Description	Qty	Part No
9B	Packing Spring	2	792077
12B	Inspection Plate	1	793093
25	Connecting Rod Assembly	2	793009
26	Connecting Rod Bearing	2	793002
28	Wrist Pin Bushing **	2	793003
29	Crosshead Assembly	2	793029
31	Wrist Pin	2	793004
32	Wrist Pin Plug	4	792178
34	Crosshead Guide	1	793091
35A	Retainer Ring	4	792088
35B	Packing Box	2	793221
35C	Packing Set	2	793499

Ref	Description	Qty	Part No
35D	Hold-down Ring	2	793220
60E	Gasket - Inspection Plate *	1	793092
60F	Gasket - Crankcase *	1	793121
61G	O-Ring (Buna-N) Std *	2	792125
62B	Machine Screw - Inspection Plate	8	793096
63F	Capscrew - Hex Hd	6	793094
64A	Connecting Rod Bolt	4	793006
67A	Washer - Packing Box	4	792083
67B	Washer - Packing Spring	2	792087
68A	Connecting Rod Bolt Nut	4	793007
73C	Lock Plug *	6	792030

* Included in Gasket Sets

** Must be honed after installing



150-1003

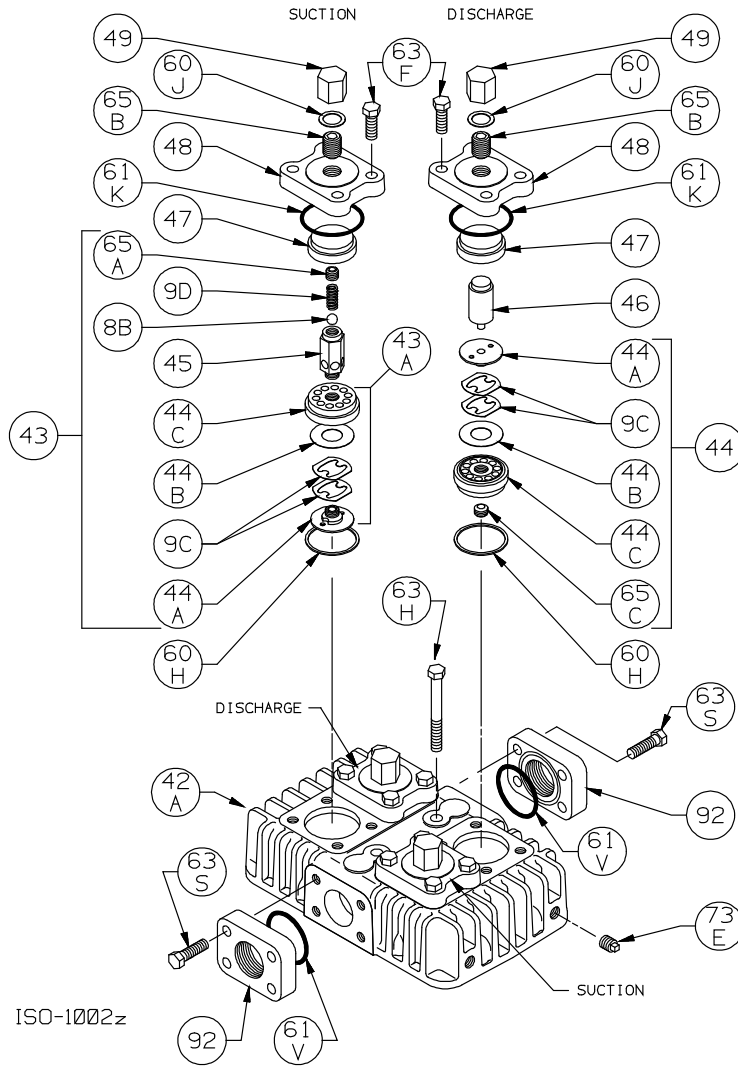
Cylinder Assembly:

Models LB361A, LB361B, LB362B, LB362D

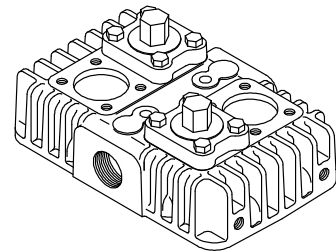
ISO1003

Ref	Description	Qty	Part No
22B	Piston Shim - 0.015 Piston Shim - 0.007	AR	792034 792050
36	Cylinder	1	793045
39	Piston	2	793021
40	Expander	6	793012
41	Piston Ring	6	793008
61J	O-Ring *	2	793177
61K	O-Ring *	2	793641
63R	Capscrew - Hex Hd	8	794097
63X	Capscrew - Hex Hd	6	794096
67C	Thrust Washer	2	792033
69A	Piston Nut	2	793022
73C	Lock Plug *	4	793028
73D	Pipe Plug	1	793498

* Included in Gasket Sets



Head style used prior to January 1999. Replaced by the flanged head shown to the left.



Head Assembly: Models LB361A, LB361B, LB362B, LB362C, LB362D

ISO1002

Ref	Description	Qty	Part No
8B	Liquid Relief Valve Ball	2	792042
9C	Valve Spring	8	793038
9D	Liquid Relief Valve Spring	2	792045
42A	Head ¹	1	793044
43	Suction Valve Assembly	2	793269
43A	Valve Sub-Assembly	0	793259
44	Discharge Valve Assembly	2	793279
44A	Valve Bumper	4	793235
44B	Valve Disc	4	793037
44C	Valve Body	4	793236
45	Liquid Relief Valve Body	2	793046
46	Post	2	793034
47	Valve Spacer	4	793061
48	Valve Cover Plate	4	793071
49	Valve Cap	4	793072
60H	Gasket - Valve *	4	793107

Ref	Description	Qty	Part No
60J	Gasket - Valve Cap *	4	793108
61K	O-Ring *	4	793114
61V	O-Ring *	2	792125
63F	Capscrew - Hex Hd	16	793094
63H	Capscrew - Hex Hd	2	793115
63S	Capscrew - Hex Hd	8	794096
65A	Liquid Relief Valve Screw	2	793054
65B	Valve Hold Down Screw	4	794068
65C	Screw	2	793234
73E	Pipe Plug	2	793498
92	Flange 1.25" NPT (Std.)	2	793055
	Flange 1.5" NPT (Opt.)		793057
	Flange 1.25" Weld (Opt.)		793056
	Flange 1.5" Weld (Opt.)		793058

* Included in Gasket Sets

¹ If replacing a threaded head, the flanged head, flanges, bolts, and O-rings must be ordered instead.

Suggested Spare Parts for LB361B Compressors:

Part #	Description		Qty./ Unit	Comm. Qty.	Spare Qty.
793099	Gasket Set - Buna-N, Aluminum	T	1	1	1
793259	Suction Valve Sub-Assembly	T	2		2
793279	Discharge Valve	T	2		2
793008	Piston Ring	T	6	6	6
793012	Piston Ring Expander	T	6	6	6
793499	Packing Set	T	2	2	2
794726	Oil Filter	T	1		6
793004	Wrist Pin	I	2		2
793003	Wrist Pin Bushing	I	2	2	2
793002	Conrod Bearing	I	2	2	2
The following parts would normally be required only for major compressor overhaul.					
793029	Crosshead Assembly	I	2		1
793142	Bearing Cone		2		2
793126	Bearing Cup		2		2
793009	Conrod Assembly		2		1
793157	Crankshaft Assembly with Bearing Cones		1		
793191	Extended Crankshaft Assembly *				
793133	Bearing Adjustment Shim Kit		1		
794760	Oil Pump Repair Kit		1		
793045	Cylinder		1		
The Following Spare Parts Kits Are Available					
793229	Top End Kit (Includes 'T' Parts)				
793230	Intermediate Kit (Includes 'T' and 'I' Parts)				

* Optional Equipment on New Compressors