



NG642E PARTS LIST

(See Instructions 601-A00 for Operation and Maintenance)

Serial # _____

ID# _____

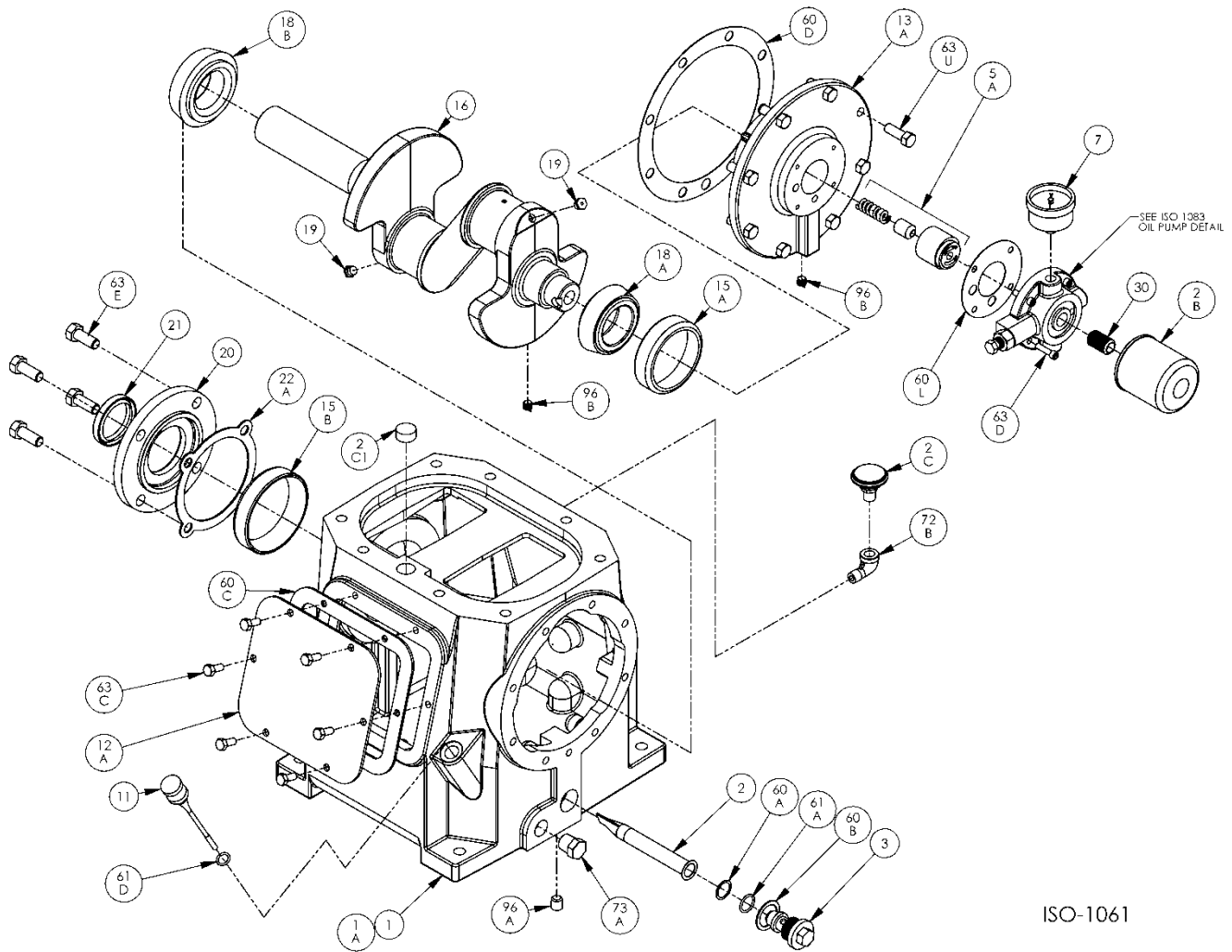
Suggested Spares

Part #	Description	Qty./Unit	Comm. Qty.	Spare Qty.
794595	Gasket Set – FKM*, Iron	1	1	1
793659	Suction Valve	2		2
793660	Repair Kit, Suction Valve		1	
793679	Discharge Valve	2		2
793660	Repair Kit, Suction Valve		1	
794611	Piston Ring	6	6	6
794615	Piston Ring Expander	6	6	6
794498	Packing Set	4	4	4
794726	Oil Filter	1		6
794727	Wrist Pin	2		2
794776	Wrist Pin Roller Bearing	4	4	4
794710	Conrod Bearing	2	2	2
The following parts would normally be required only for major compressor overhaul.				
794730	Inboard Bearing Cone	1		1
794731	Inboard Bearing Cup	1		1
794130	Outboard Bearing Cone	1		1
794131	Outboard Bearing Cup	1		1
794523	Crosshead Assembly	2		1
794767	Conrod Assembly	2		1
794456	S3R Seal	2		2
794760	Oil Pump Repair Kit	1		
794708	Crankshaft Assembly	1		
794733	Bearing Adjustment Shim Kit	1		
794153	Cylinder	1		

* FKM O-rings used currently are interchangeable with the Buna-N O-rings supplied previously.

Special Tools

790538	Packing Installation Tool
790316	Spanner Wrench, 1/4" Adjustable
798016	Tool for Valve Holdown Screw
790535	Wrench for Valve Holdown Screw
798008	Piston Tool
790199	Tool Kit



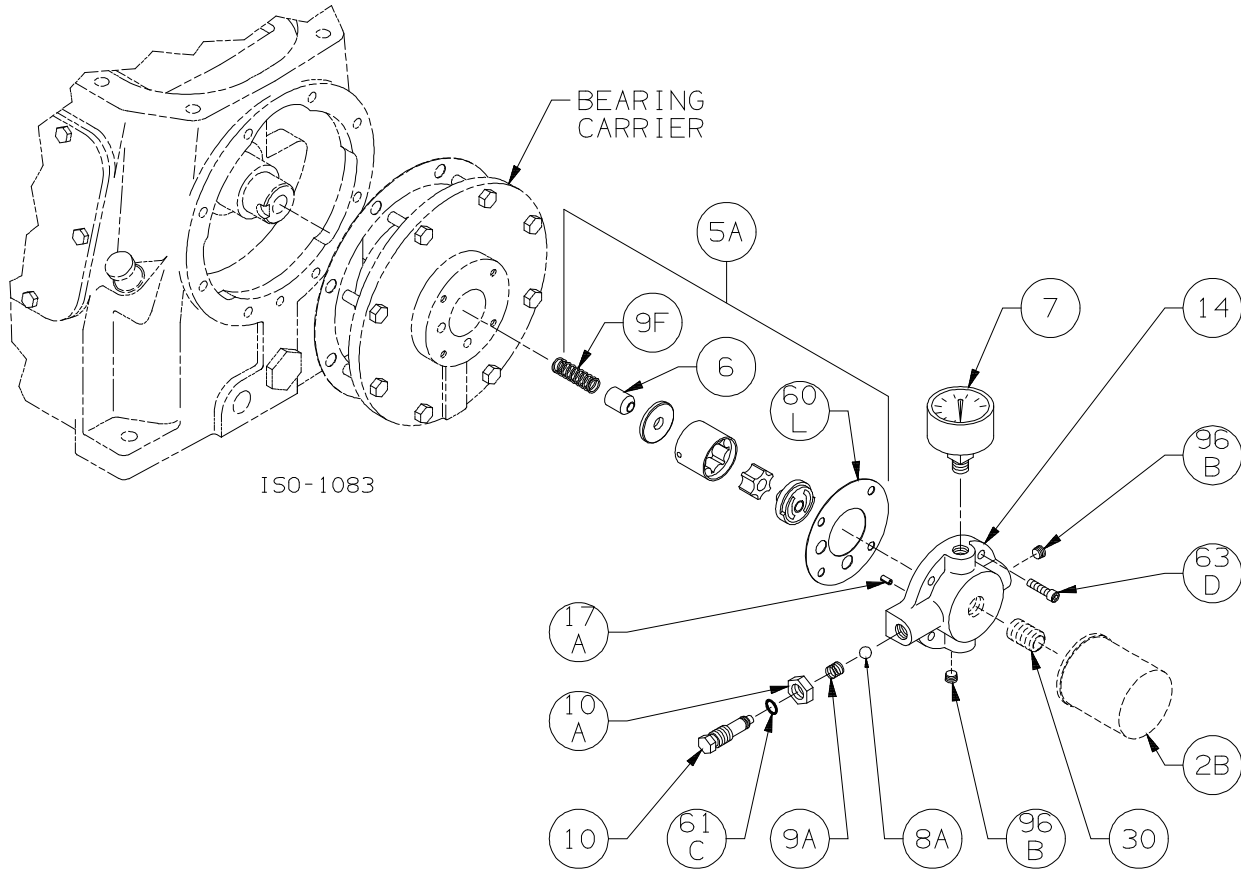
Crankcase

ISO1061

Ref	Description	Qty	Part No
1	Crankcase Assembly	1	794758
1A	Crankcase	1	794709
2	Oil Intake Screen	1	792135
2B	Oil Filter	1	794726
2C	Breather Filter (current)	1	792070
2C1	Breather Filter (Previous Style)		794752
3	Oil Screen Plug	1	792145
5A	Oil Pump Kit	1	794760
7	Oil Pressure Gauge	1	790012
11	Oil Bayonet Assembly	1	792162
12A	Inspection Plate	1	794140
13A	Bearing Carrier	1	794714
15A	Bearing Cup (Outboard)	1	794131
15B	Bearing Cup (Inboard)	1	794731
16	Crankshaft Assy (w\ 18A,18B,19,96B)	1	794708
18A	Bearing Cone (Outboard)	1	794130
18B	Bearing Cone (Inboard)	1	794730
19	Orifice	2	792146
20	Bearing Cover Plate	1	794716

Ref	Description	Qty	Part No
21	Oil Seal	1	794732
22A	Bearing Adjustment Shim Kit	1	794733
30	Oil Filter Fitting	1	794725
60A	Gasket - Oil Screen *	1	792136
60B	Gasket - Oil Screen Plug *	1	792123
60C	Gasket - Inspection Plate *	1	794122
60D	Gasket - Bearing Carrier Assy*	1	794720
60L	Gasket - Oil Pump Cover *	1	794721
61A	O-Ring - Oil Screen *	1	792175
61D	O-Ring - Oil Bayonet *	1	792174
63C	Capscrew - Hex Hd	6	793116
63D	Capscrew - Soc Hd	4	790559
63E	Capscrew - Hex Hd	4	790484
63U	Capscrew - Hex Hd	8	792093
72B	Elbow	1	790453
73A	Pipe Plug	1	790024
96A	Pipe Plug	1	790488
96B	Pipe Plug	2	790309

* Included in Gasket Sets



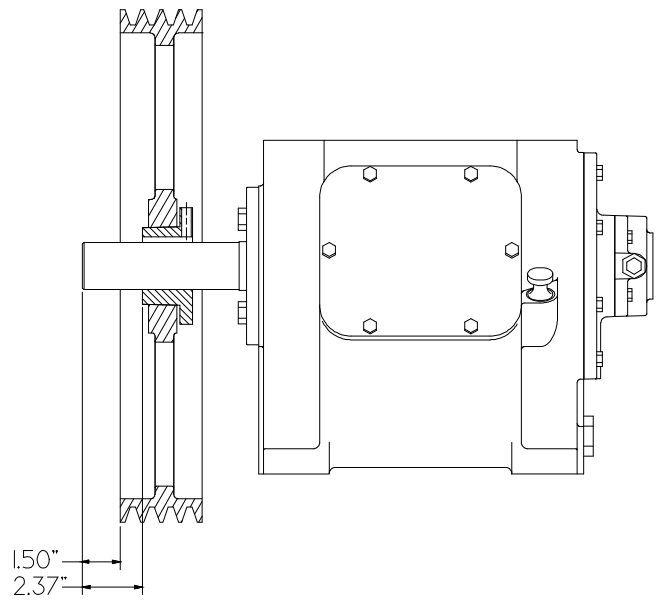
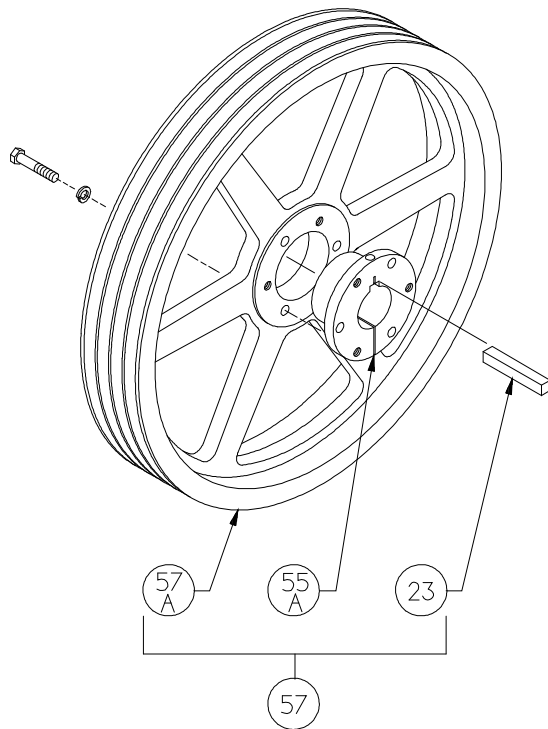
Oil Pump

Ref	Description	Qty	Part No
2B	Oil Filter	1	794726
5A	Oil Pump Kit (with 6, 9F, 60L)		794760
6	Oil Pump Cone	1	794750
7	Oil Pressure Gauge	1	790012
8A	Oil Pressure Adj. Ball	1	792154
9A	Oil Pressure Adj. Spring	1	792153
9F	Oil Pump Spring	1	794751
10	Oil Pressure Adj. Screw	1	792148
10A	Locknut	1	792152

ISO1083

Ref	Description	Qty	Part No
	Oil Pump Cover Assembly - For Filter		794764
14	Oil Pump Cover Assembly (includes 17A, 96B)	1	794763
17A	Roll Pin	1	794753
30	Oil Filter Fitting	1	794725
60L	Gasket - Oil Pump Cover *	1	794721
61C	O-Ring - Adjusting Screw *	1	792168
63D	Capscrew - Socket Head	4	790559
96B	Pipe Plug	2	790309

* Included in Gasket Sets

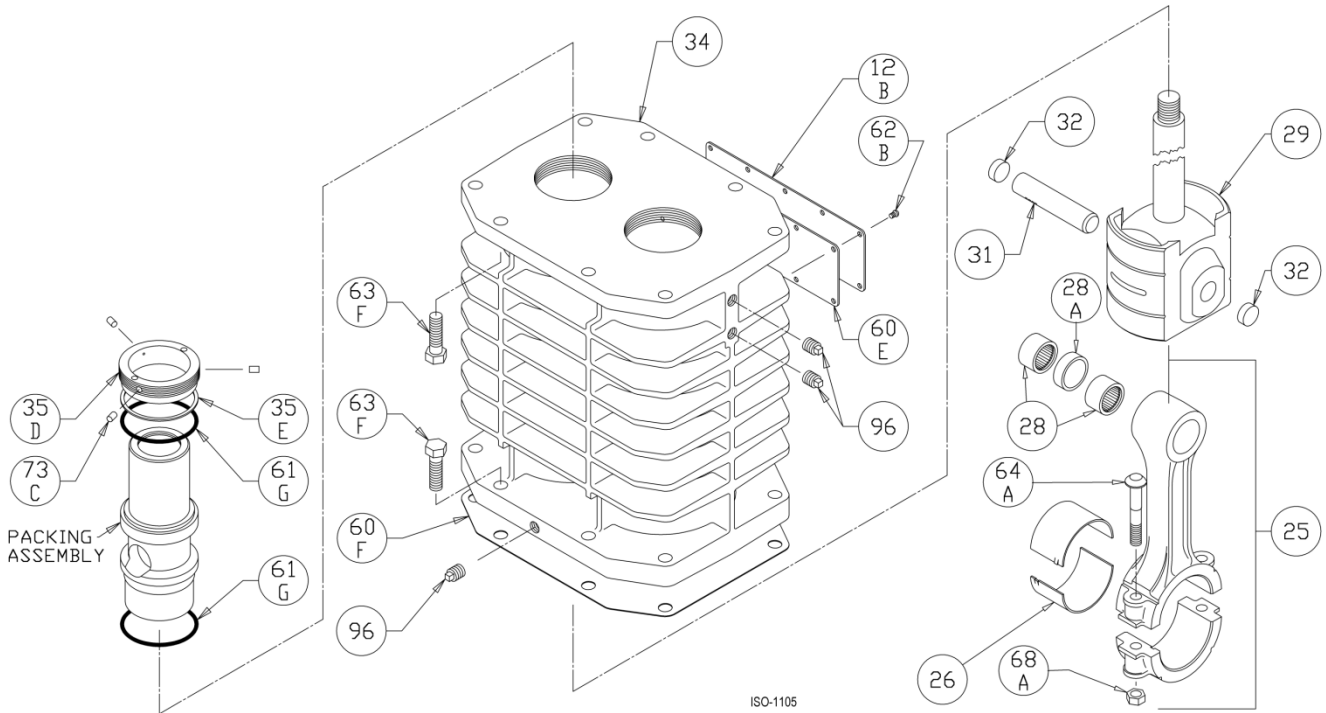


ISO-1084

Flywheel

ISO1084

Ref	Description	Qty	Part No
23	Key	1	794267
55A	Hub	1	790149
57	Flywheel Assembly	1	794132
57A	Flywheel	1	790545



ISO-1105

Crosshead

Ref	Description	Qty	Part No
12B	Inspection Plate	1	794093
25	Connecting Rod Assembly	2	794767
26	Connecting Rod Bearing	2	794710
28	Wrist Pin Roller Bearing	4	794776
29	Crosshead Assembly	2	794523
31	Wrist Pin	2	794727
32	Wrist Pin Plug	4	794724
34	Crosshead Guide	1	794430
35D	Hold-down Ring	2	794220
35E	Spacer Ring	2	794403
60E	Gasket - Inspection Plate *	1	794092

ISO1105z

Ref	Description	Qty	Part No
60F	Gasket - Crankcase *	1	794121
61G	O-Ring (FKM) *	4	794213
62B	Machine Screw - Inspection Plate	10	793096
63F	Capscrew - Hex Hd	16	794094
64A	Connecting Rod Bolt	4	794012
68A	Connecting Rod Bolt Nut	4	794013
72A	Elbow - Vent	1	790453
73C	Lock Plug *	6	794028
96	Pipe Plug	4	908198

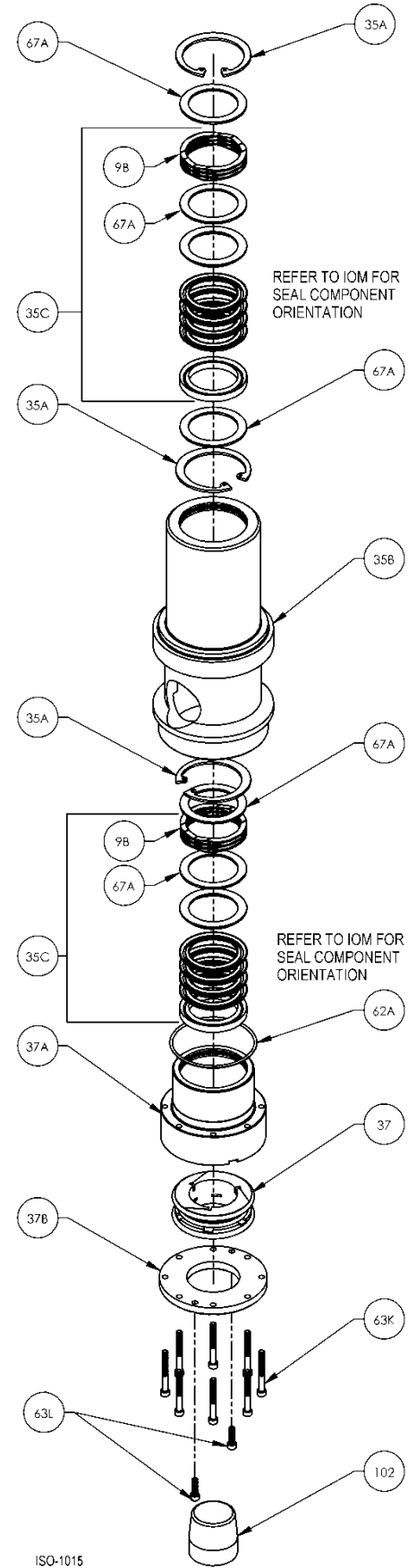
* Included in Gasket Sets

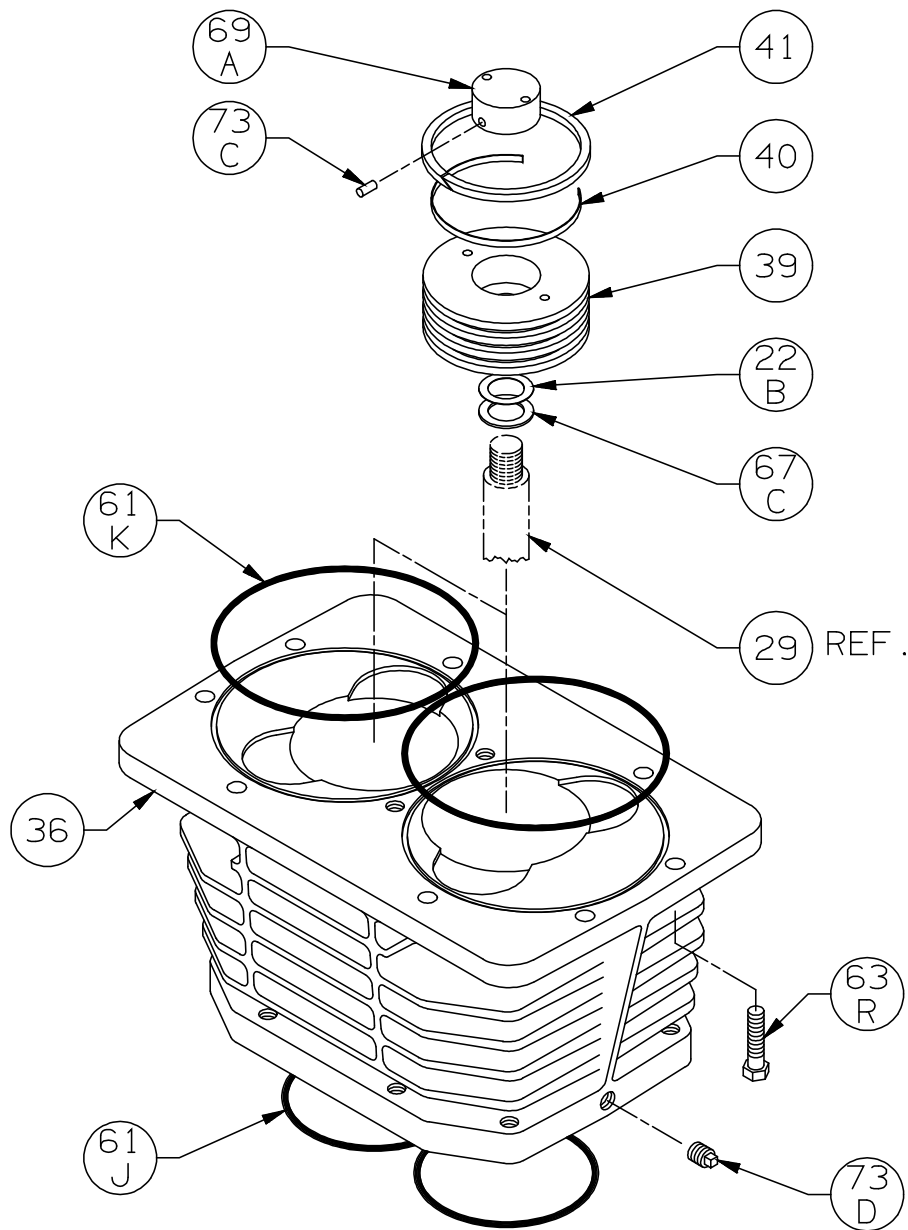
Packing

Ref	Description	Qty	Part No
9B	Packing Spring	4	794041
35A	Retainer Ring	6	794080
35B	Packing Box	2	794445
35C	Packing Set	4	794498
37	S3R Seal	2	794456
37A	Seal Cup	2	794455
37B	Seal Cup Cover	2	794454
62A	O-Ring (FKM) *	2	792313
63K	Capscrew – Socket Head	16	794460
63L	Capscrew – Socket Head	4	794461
67A	Washer - Packing Box	10	794084
102	Packing Installation Tool	1	790538

* Included in gasket sets.

Refer to the Compressor IOM for proper orientation of components.





ISO-1021

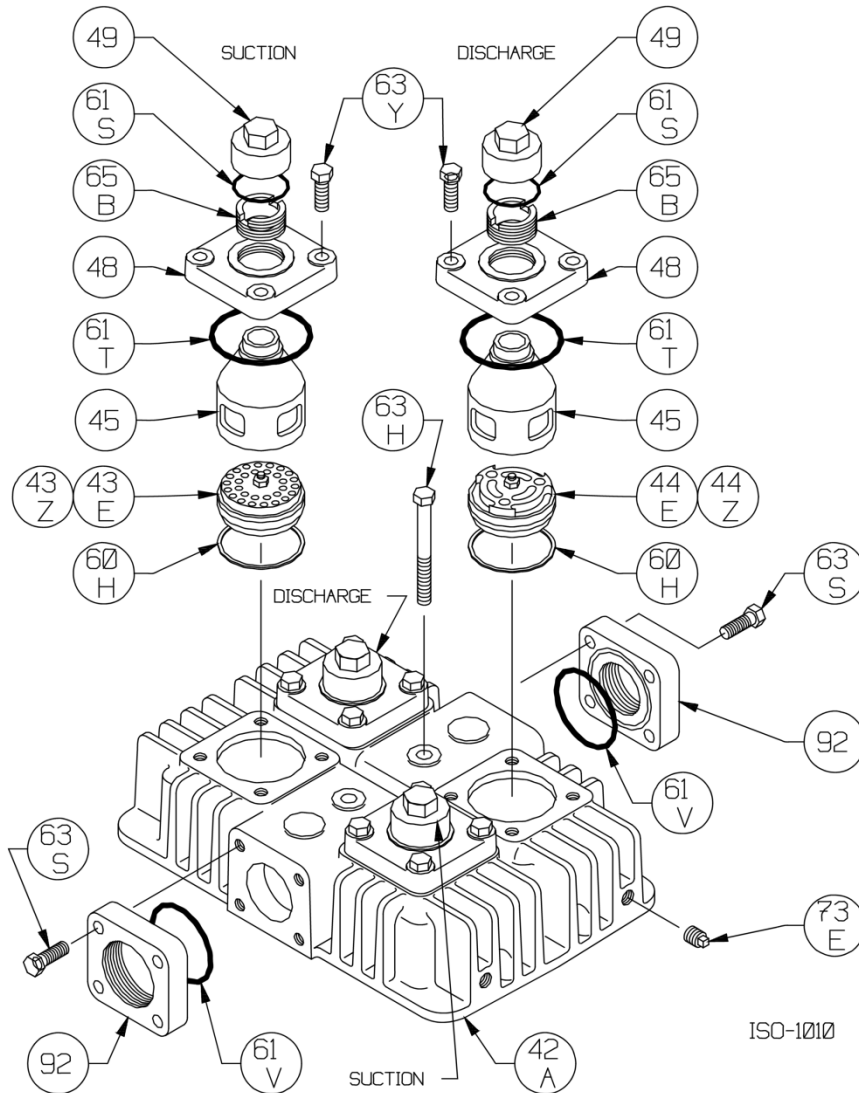
Cylinder

Ref	Description	Qty	Part No
22B	Piston Shim - 0.015"	AR	794434
	Piston Shim - 0.007"		794436
36	Cylinder	1	794153
39	Piston	2	794508
40	Expander	6	794615
41	Piston Ring	6	794611
61J	O-Ring (FKM) *	2	794214

ISO1021

Ref	Description	Qty	Part No
61K	O-Ring (FKM) *	2	794106
63R	Capscrew - Hex Hd	8	794097
67C	Thrust Washer	2	794433
69A	Piston Nut	2	794422
73C	Lock Plug *	4	794222
73D	Pipe Plug	1	908198

* Included in Gasket Sets



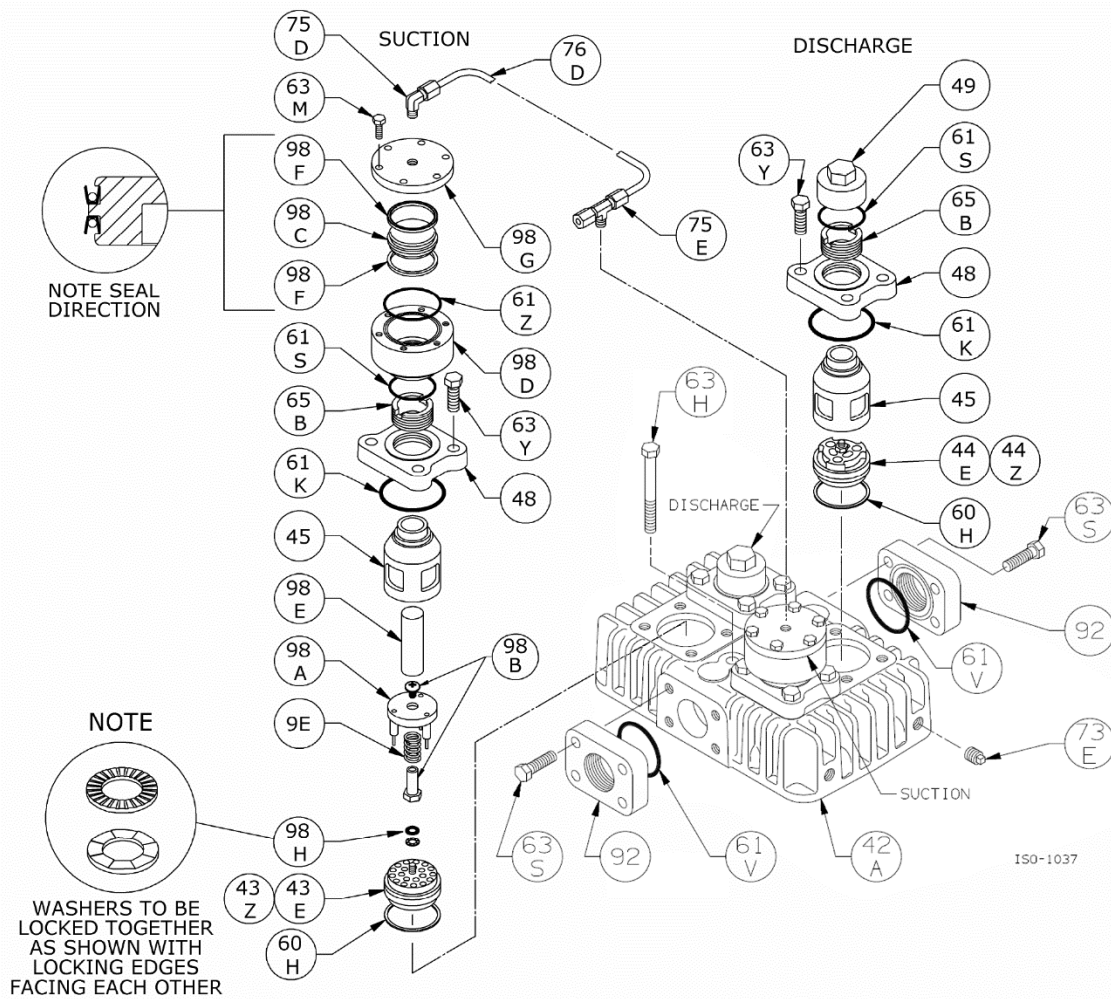
Head

Ref	Description	Qty	Part No
42A	Head	1	794102
43E	Suction Valve Assembly Suction Valve Assy, Stainless Steel	2	793659 793629
43Z	Valve Repair Kit - for 793659/793679 Valve Repair Kit - for 793629		793660 793630
44E	Discharge Valve Assembly Discharge Valve Assy, Stainless Stl	2	793679 793649
44Z	Valve Repair Kit - for 793659/793679 Valve Repair Kit - for 793649		793660 793650
45	Cage	4	794620
48	Valve Cover Plate	4	794284
49	Valve Cap	4	792003
60H	Gasket - Valve *	4	794198

ISO1010

Ref	Description	Qty	Part No
61S	O-Ring (FKM) *	4	792308
61T	O-Ring (FKM) *	4	792213
61V	O-Ring (FKM) *	2	792413
63H	Capscrew - Hex Hd	2	794115
63S	Capscrew - Hex Hd	8	794096
63Y	Capscrew - Hex Hd	16	793094
65B	Valve Holddown Screw	4	792002
73E	Pipe Plug	2	908198
92	Flange (2 NPT)	2	794117
	Flange (1.5 NPT)		794116
	Flange (1.5 Weld)		794182
	Flange (2 Weld)		794183

* Included in Gasket Sets



ISO-1037

Head with Unloaders

ISO1037

Ref	Description	Qty	Part No
9E	Unloader Spring	2	793293
42A	Head	1	794102
43E	Suction Valve Assembly Suction Valve Assy, Stainless Steel	2	793659 793629
43Z	Valve Repair Kit - for 793659/793679 Valve Repair Kit - for 793629		793660 793630
44E	Discharge Valve Assembly Discharge Valve Assy, Stainless Stl	2	793679 793649
44Z	Valve Repair Kit - for 793659/793679 Valve Repair Kit - for 793649		793660 793650
45	Cage	4	794620
48	Valve Cover Plate	4	794284
49	Valve Cap	2	792003
60H	Gasket - Valve *	4	794198
61S	O-Ring (FKM) *	4	792308
61T	O-Ring (FKM) *	4	792213
61V	O-Ring (FKM) *	2	792413
61Z	O-Ring (FKM) *	2	792313
63H	Capscrew - Hex Hd	2	794115
63M	Capscrew - Hex Hd	12	797093
63S	Capscrew - Hex Hd	8	794096

Ref	Description	Qty	Part No
63Y	Capscrew - Hex Hd	16	793094
65B	Valve Holddown Screw	4	792002
73E	Pipe Plug	2	908198
75D	Tube Elbow	1	790355
75E	Tube Tee	1	790356
76D	Tube	1	790357
92	Flange (2 NPT)	2	794117
	Flange (1.5 NPT)		794116
	Flange (1.5 Weld)		794182
	Flange (2 Weld)		794183
98A	Actuator Assembly	2	794296
	Actuator Assembly, for SS Valve		794298
98B	Unloader Post w/bolt	2	793291
	Unloader Post w/bolt, for SS Vlv		794291
98C	Unloader Piston	2	793288
98D	Unloader Body	2	793286
98E	Unloader Plunger	2	794290
98F	Unloader Seal	4	792284
98G	Unloader Cap	2	793287
98H	Lockwasher (2 piece)	2	793473

* Included in Gasket Sets

Notes:

Notes:

Notes: