



NG172C PARTS LIST

(See Instructions 601-A00 for Operation and Maintenance)

Serial # _____

ID# _____

Suggested Spare

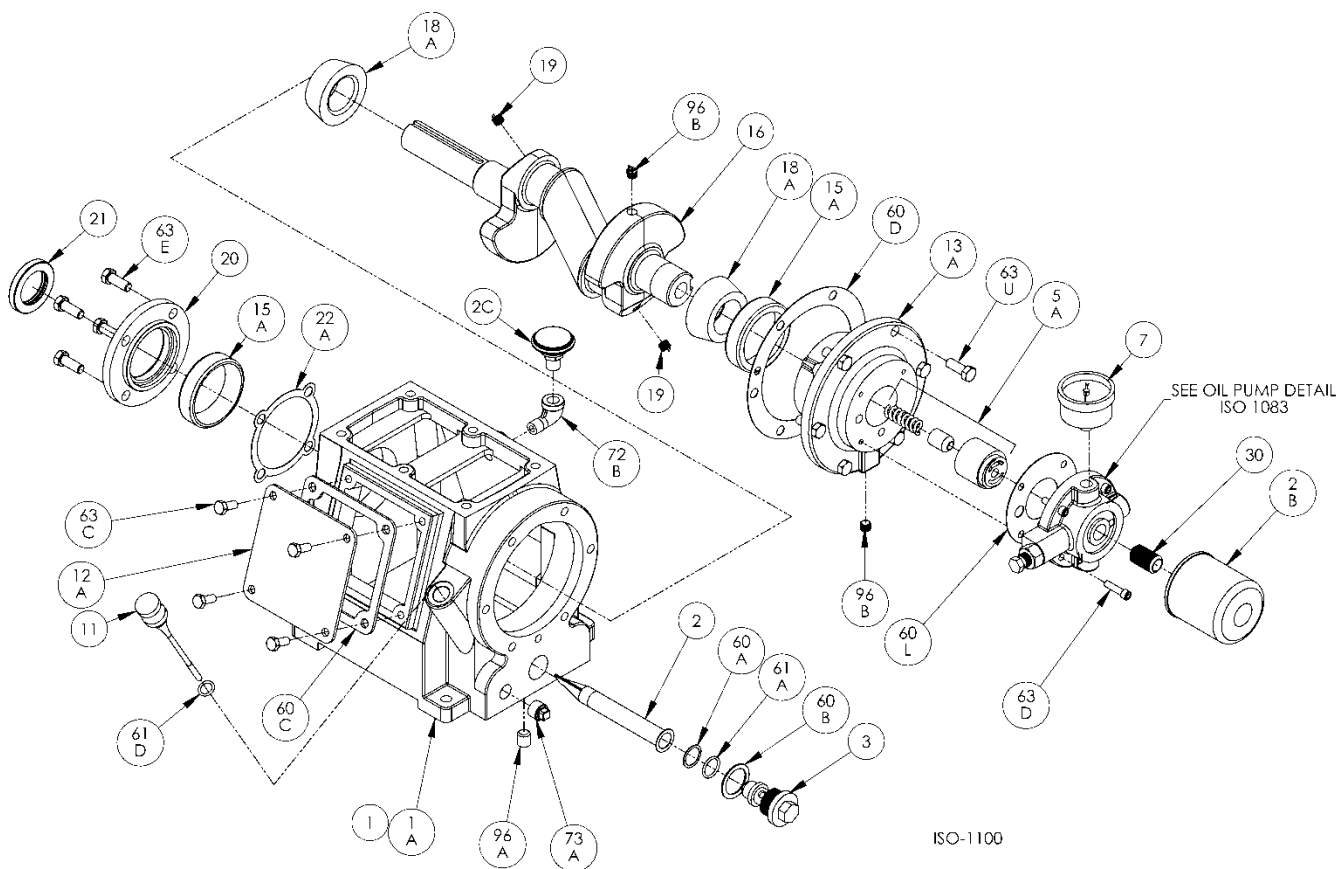
Part #	Description	Qty./Unit	Comm. Qty.	Spare Qty.
792462	Gasket Set – FKM **	1	1	1
792056	Stage 1 Suction Valve	1		1
792064	Stage 2 Suction Valve	1		
792056	Stage 1 Discharge Valve	1		1
792064	Stage 2 Discharge Valve	1		1
792284	Unloader Seal *	4		4
792420	Stage 1 Piston Ring - Glass/Moly Filled	3	3	3
794615	Stage 1 Piston Ring Expander	3	3	3
792407	Stage 2 Piston Ring - Glass/Moly Filled	3		3
792409	Stage 2 Piston Ring Expander	3		3
793510	Packing Set	4	4	4
794726	Oil Filter	1		6
792014	Wrist Pin	2		2
792302	Wrist Pin Bearing	2	2	2
792012	Conrod Bearing	2	2	2
The following parts would normally be required only for major compressor overhaul.				
793142	Bearing Cone	2		2
793126	Bearing Cup	2		2
792501	Crosshead Assembly	2		1
792301	Conrod Assembly	2		1
794760	Oil Pump Repair Kit	1		
792157	Crankshaft Assembly	1		
793133	Bearing Adjustment Shim Kit	1		
792457	Cylinder	1		

* Optional Equipment on New Compressors

** FKM O-rings used currently are interchangeable with the Buna-N O-rings supplied previously.

Special Tools

790536	Packing Installation Tool
790316	Spanner Wrench, 1/4" Adjustable
798016	Tool for Valve Holdown Screw
790535	Wrench for Valve Holdown Screw
798002	Piston Tool
798001	Piston Tool
798020	Piston Tool
790199	Tool Kit



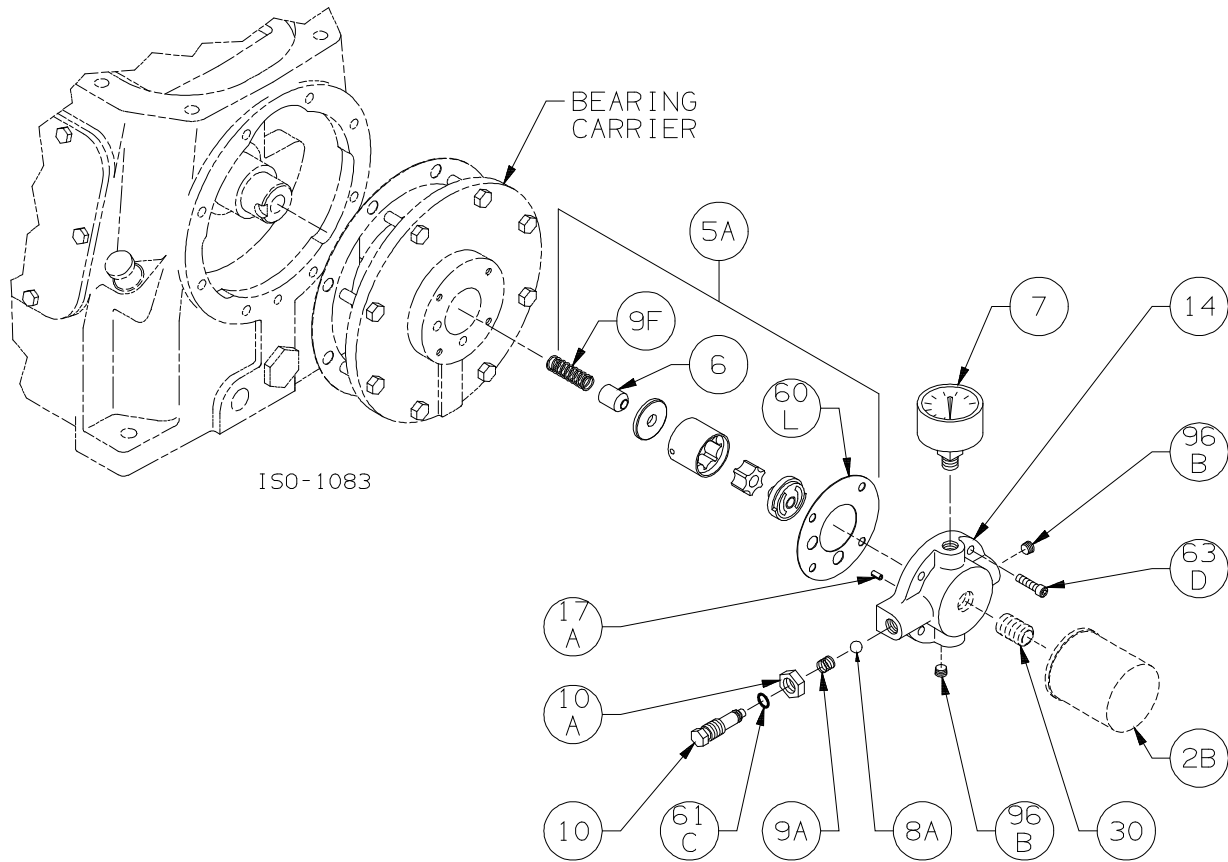
Crankcase Assembly

ISO1100

Ref	Description	Qty	Part No
1	Crankcase Assembly – with Oil Filter	1	792100
1A	Crankcase	1	792102
2	Oil Intake Screen	1	792135
2B	Oil Filter	1	794726
2C	Breather Filter	1	792070
3	Oil Screen Plug	1	792145
5A	Oil Pump Kit	1	794760
7	Oil Pressure Gauge	1	790012
11	Oil Bayonet Assembly	1	792162
12A	Inspection Plate	1	792105
13A	Bearing Carrier	1	792104
15A	Bearing Cup	2	793126
16	Crankshaft Assembly (w\ 18A,19,96B)	1	792157
18A	Bearing Cone	2	793142
19	Orifice	2	792146
20	Bearing Cover Plate	1	793106
21	Oil Seal	1	793143
22A	Bearing Adjustment Shim Kit	1	793133

Ref	Description	Qty	Part No
30	Oil Filter Fitting	1	794725
60A	Gasket - Oil Screen *	1	792136
60B	Gasket - Oil Screen Plug *	1	792123
60C	Gasket - Inspection Plate *	1	792122
60D	Gasket - Bearing Carrier Assy*	1	792124
60L	Gasket - Oil Pump Cover *	1	794721
61A	O-Ring - Oil Screen *	1	792175
61D	O-Ring - Oil Bayonet *	1	792174
63C	Capscrew - Hex Hd	4	793116
63D	Capscrew - Soc Hd	4	790559
63E	Capscrew - Hex Hd	4	792093
63U	Capscrew - Hex Hd	6	792093
72B	Elbow	1	790453
73A	Pipe Plug	1	792166
96A	Pipe Plug	1	790488
96B	Pipe Plug	2	790309

* Included in Gasket Sets



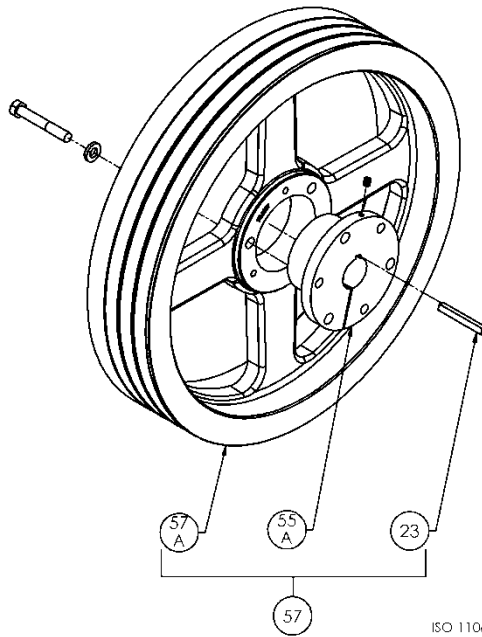
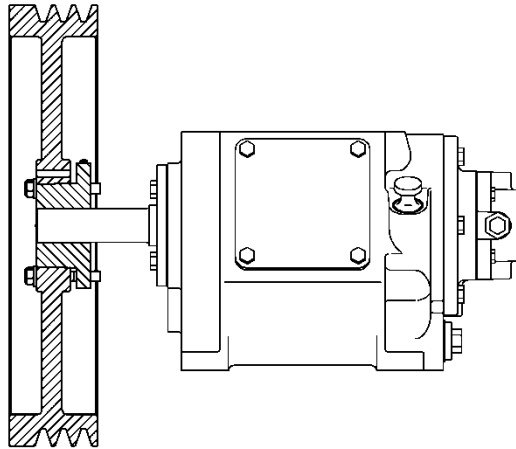
Oil Pump

Ref	Description	Qty	Part No
2B	Oil Filter	1	794726
5A	Oil Pump Kit (with 6, 9F, 60L)	1	794760
6	Oil Pump Cone	1	794750
7	Oil Pressure Gauge	1	790012
8A	Oil Pressure Adj. Ball	1	792154
9A	Oil Pressure Adj. Spring	1	792153
9F	Oil Pump Spring	1	794751
10	Oil Pressure Adj. Screw	1	792148
10A	Locknut	1	792152

ISO1083

Ref	Description	Qty	Part No
	Oil Pump Cover Assembly - For Filter		794764
14	Oil Pump Cover Assembly (includes 17A, 96B)	1	794763
17A	Roll Pin	1	794753
30	Oil Filter Fitting	1	794725
60L	Gasket - Oil Pump Cover *	1	794721
61C	O-Ring - Adjusting Screw *	1	792168
63D	Capscrew - Socket Head	4	790559
96B	Pipe Plug	2	790309

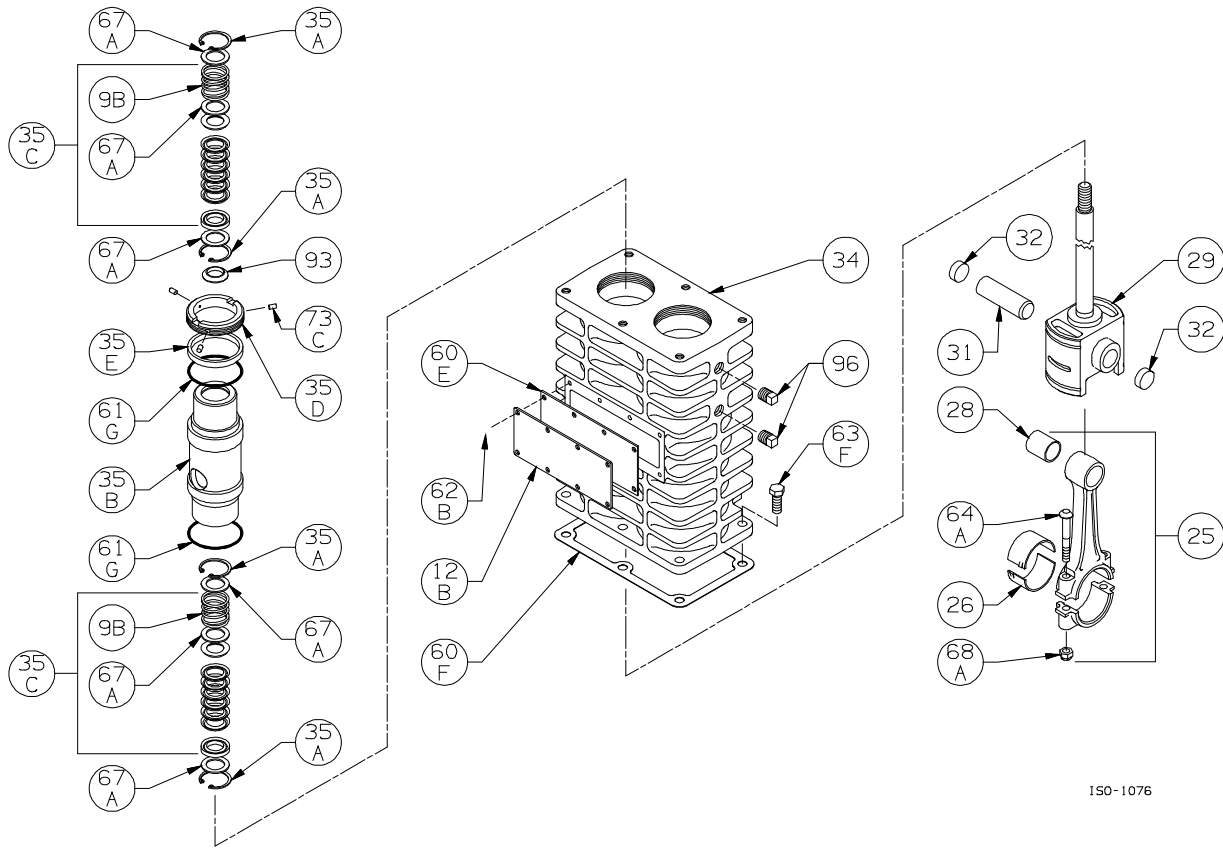
* Included in Gasket Sets



ISO 1106

Flywheel

Ref	Description	Qty	Part No
23	Key	1	792167
55A	Hub (SF 1.25")	1	790563
57	Flywheel Assembly	1	792073
57A	Flywheel	1	792197



ISO-1076

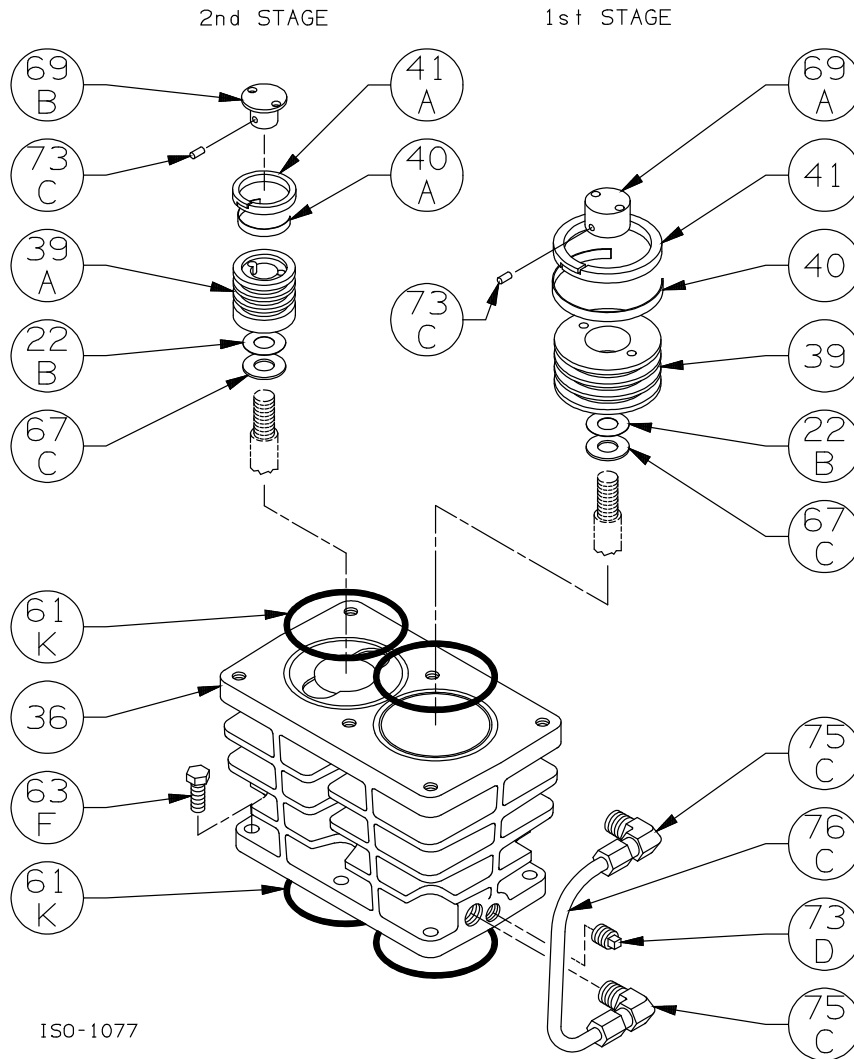
Crosshead Assembly

Ref	Description	Qty	Part No
9B	Packing Spring	4	792077
12B	Inspection Plate	1	792017
25	Connecting Rod Assembly	2	792301
26	Connecting Rod Bearing	2	792012
28	Wrist Pin Bearing	2	792302
29	Crosshead Assembly	2	792501
31	Wrist Pin	2	792014
32	Wrist Pin Plug	4	792178
34	Crosshead Guide	1	792455
35A	Retainer Ring	8	793404
35B	Packing Box	2	792502
35C	Packing Set	4	793510
35D	Hold-down Ring	2	793220
35E	Spacer Ring	2	793402

ISO1076

Ref	Description	Qty	Part No
60E	Gasket - Inspection Plate *	1	792092
60F	Gasket - Crankcase *	1	792121
61G	O-Ring (FKM) *	4	793213
62B	Machine Screw - Inspection Plate	8	793096
63F	Capscrew - Hex Hd	6	792093
64A	Connecting Rod Bolt	4	792006
67A	Washer - Packing Box	12	792087
68A	Connecting Rod Bolt Nut	4	792005
73C	Lock Plug *	6	792030
93	Oil Deflector Ring	2	793478
96	Pipe Plug	4	908198

*Included in Gasket Sets



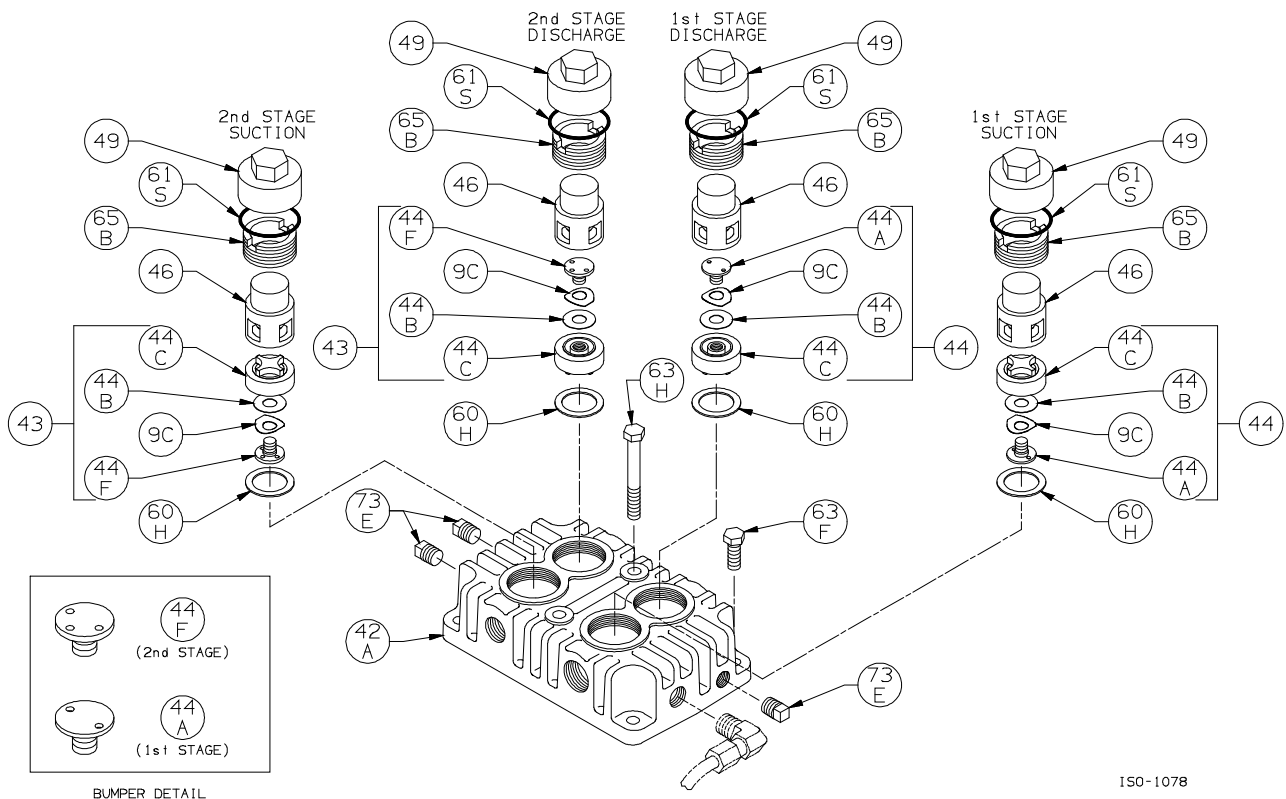
Cylinder Assembly

ISO1077

Ref	Description	Qty	Part No
22B	Piston Shim - 0.015	AR	792034
	Piston Shim - 0.007		792050
36	Cylinder	1	792457
39	Piston	1	792431
39A	Piston	1	792458
40	Expander	3	794615
40A	Expander	3	792409
41	Piston Ring – Glass/Moly Filled, Std	3	792420
41A	Piston Ring – Glass/Moly Filled, Std	3	792407

* Included in Gasket Sets

Ref	Description	Qty	Part No
61K	O-Ring (FKM) *	4	792213
63F	Capscrew - Hex Hd	6	792093
67C	Thrust Washer	2	792033
69A	Piston Nut	1	793022
69B	Piston Nut	1	792459
73C	Lock Plug *	4	793028
73D	Pipe Plug	1	908198
75C	Tube Elbow	2	790552
76C	Tube	1	790553



ISO-1078

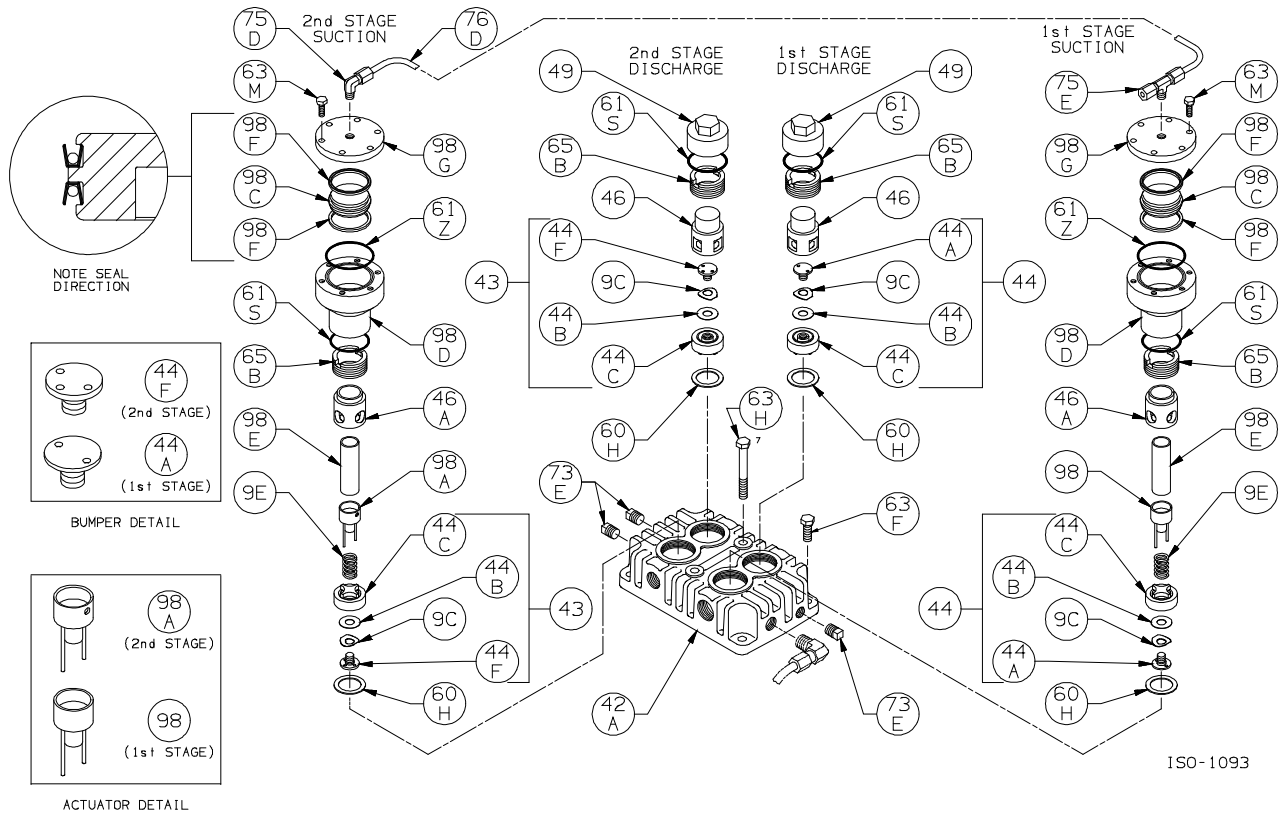
Head Assembly

Ref	Description	Qty	Part No
9C	Valve Spring	4	792038
42A	Head	1	792456
43	Valve Assembly - 2nd Stage	2	792064
44	Valve Assembly - 1st Stage	2	792056
44A	Valve Bumper - 1st Stage	2	792054
44B	Valve Disc	4	792037
44C	Valve Body	4	792055
44F	Valve Bumper - 2nd Stage	2	792066

ISO1078

Ref	Description	Qty	Part No
46	Cage	2	792051
49	Valve Cap	2	792003
60H	Gasket - Valve *	4	792201
61S	O-Ring (FKM) *	4	792308
63F	Capscrew - Hex Hd	4	792093
63H	Capscrew - Hex Hd	2	792095
65B	Valve Holddown Screw	4	792002
73E	Pipe Plug	3	908198

* Included in Gasket Sets



ISO-1093

Head Assembly with Unloaders:

ISO1093

Ref	Description	Qty	Part No
9C	Valve Spring	4	792038
9E	Unloader Spring	2	793293
42A	Head	1	792456
43	Valve Assembly - 2nd Stage	2	792064
44	Valve Assembly - 1st Stage	2	792056
44A	Valve Bumper - 1st Stage	2	792054
44B	Valve Disc	4	792037
44C	Valve Body	4	792055
44F	Valve Bumper - 2nd Stage	2	792066
46	Cage	2	792051
46A	Cage	2	792282
49	Valve Cap	2	792003
60H	Gasket - Valve *	4	792201
61S	O-Ring (FKM) *	4	792308
61Z	O-Ring (FKM) *	2	792313

Ref	Description	Qty	Part No
63F	Capscrew - Hex Hd	4	792093
63H	Capscrew - Hex Hd	2	792095
63M	Capscrew - Hex Hd	12	797093
65B	Valve Holddown Screw	4	792002
73E	Pipe Plug	3	908198
75D	Tube Elbow	1	790355
75E	Tube Tee	1	790356
76D	Tube	1	790192
98	Actuator Assembly - 1st Stage	1	792296
98A	Actuator Assembly - 2nd Stage	1	792295
98C	Unloader Piston	2	793288
98D	Unloader Body	2	792286
98E	Unloader Plunger	2	793290
98F	Unloader Seal	4	792284
98G	Unloader Cap	2	793287

* Included in Gasket Sets