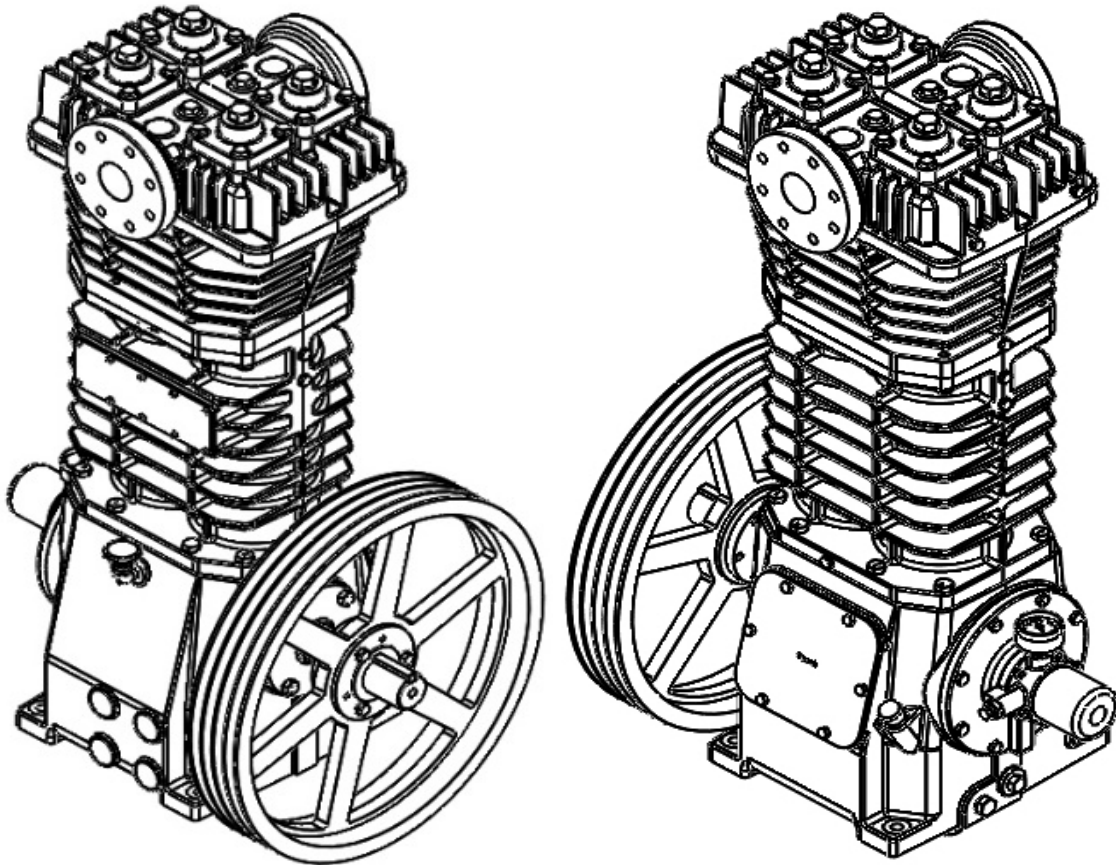


NGS642E PARTS LIST

(See Instructions 601-A00 for Operation and Maintenance)

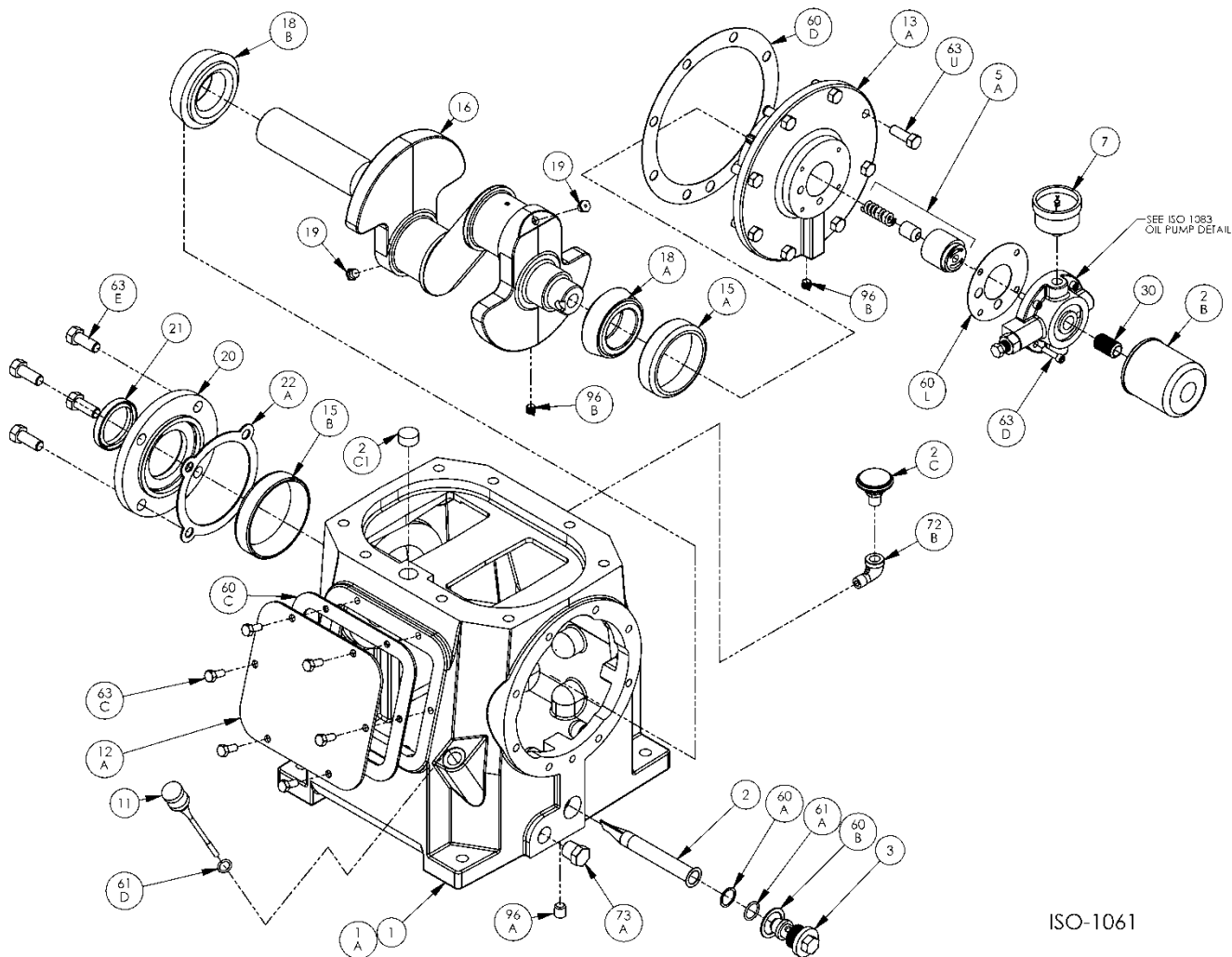
Serial # _____

ID# _____



Gasket Set, Repair Kits and Special Tools

| | | |
|----------------------------------|------------|--------|
| Gasket Set | FKM & Iron | 794595 |
| Packing Installation Tool | | 790538 |
| Valve Hold Down Screw Tool | | 798016 |
| Spanner Wrench, 1/4" Adjustable | | 790316 |
| Wrench for Valve Hold Down Screw | | 790535 |
| Piston Tool | | 798008 |
| Tool Kit | | 790199 |



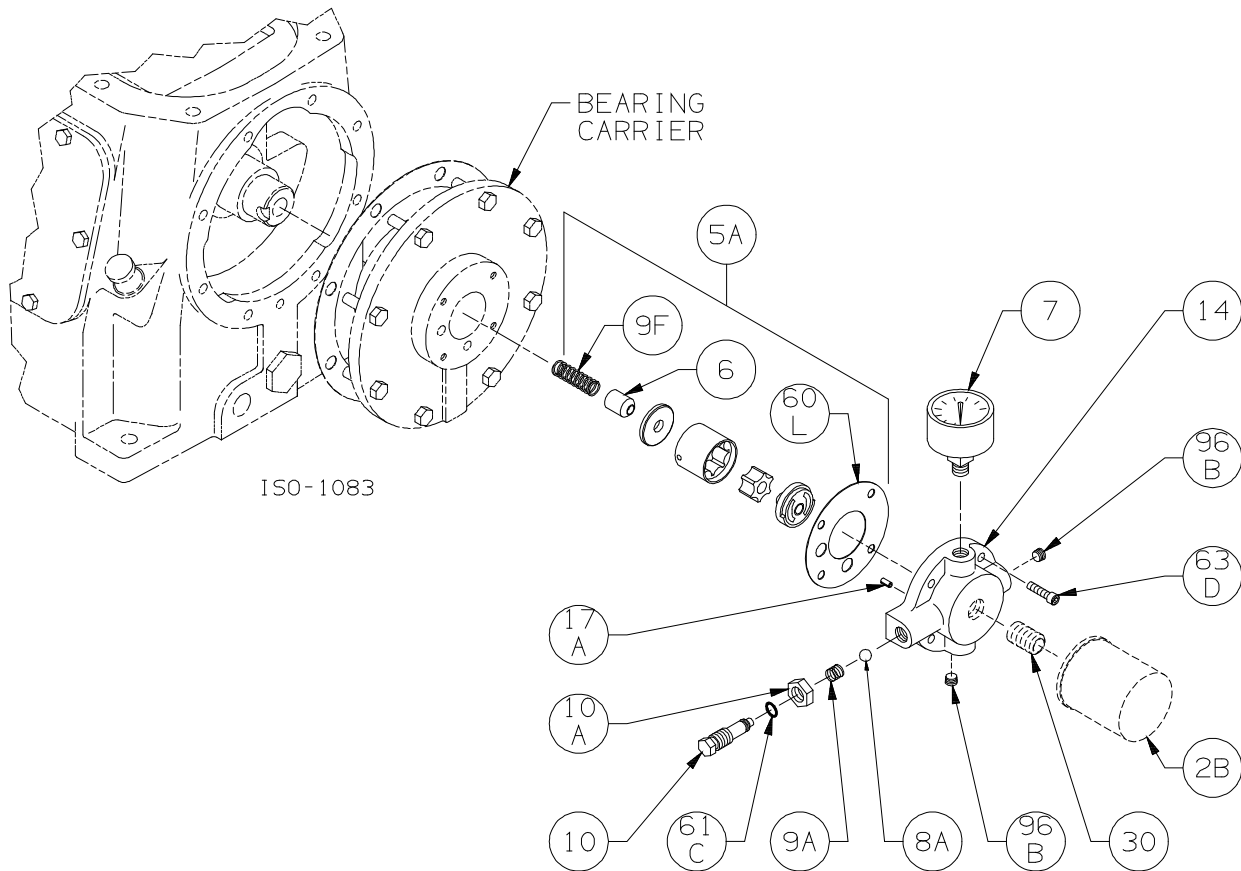
Crankcase

ISO1061

| Ref | Description | Qty | Part No |
|-----|-------------------------------------|-----|---------|
| 1 | Crankcase Assembly | 1 | 794758 |
| 1A | Crankcase | 1 | 794709 |
| 2 | Oil Intake Screen | 1 | 792135 |
| 2B | Oil Filter | 1 | 794726 |
| 2C | Breather Filter (current) | 1 | 792070 |
| 2C1 | Breather Filter (Previous Style) | | 794752 |
| 3 | Oil Screen Plug | 1 | 792145 |
| 5A | Oil Pump Kit | 1 | 794760 |
| 7 | Oil Pressure Gauge | 1 | 790012 |
| 11 | Oil Bayonet Assembly | 1 | 792162 |
| 12A | Inspection Plate | 1 | 794140 |
| 13A | Bearing Carrier | 1 | 794714 |
| 15A | Bearing Cup (Outboard) | 1 | 794131 |
| 15B | Bearing Cup (Inboard) | 1 | 794731 |
| 16 | Crankshaft Assy (w\ 18A,18B,19,96B) | 1 | 794708 |
| 18A | Bearing Cone (Outboard) | 1 | 794130 |
| 18B | Bearing Cone (Inboard) | 1 | 794730 |
| 19 | Orifice | 2 | 792146 |
| 20 | Bearing Cover Plate | 1 | 794716 |

| Ref | Description | Qty | Part No |
|-----|--------------------------------|-----|---------|
| 21 | Oil Seal | 1 | 794732 |
| 22A | Bearing Adjustment Shim Kit | 1 | 794733 |
| 30 | Oil Filter Fitting | 1 | 794725 |
| 60A | Gasket - Oil Screen * | 1 | 792136 |
| 60B | Gasket - Oil Screen Plug * | 1 | 792123 |
| 60C | Gasket - Inspection Plate * | 1 | 794122 |
| 60D | Gasket - Bearing Carrier Assy* | 1 | 794720 |
| 60L | Gasket - Oil Pump Cover * | 1 | 794721 |
| 61A | O-Ring - Oil Screen * | 1 | 792175 |
| 61D | O-Ring - Oil Bayonet * | 1 | 792174 |
| 63C | Capscrew - Hex Hd | 6 | 793116 |
| 63D | Capscrew - Soc Hd | 4 | 790559 |
| 63E | Capscrew - Hex Hd | 4 | 790484 |
| 63U | Capscrew - Hex Hd | 8 | 792093 |
| 72B | Elbow | 1 | 790453 |
| 73A | Pipe Plug | 1 | 790024 |
| 96A | Pipe Plug | 1 | 790488 |
| 96B | Pipe Plug | 2 | 790309 |

* Included in Gasket Sets



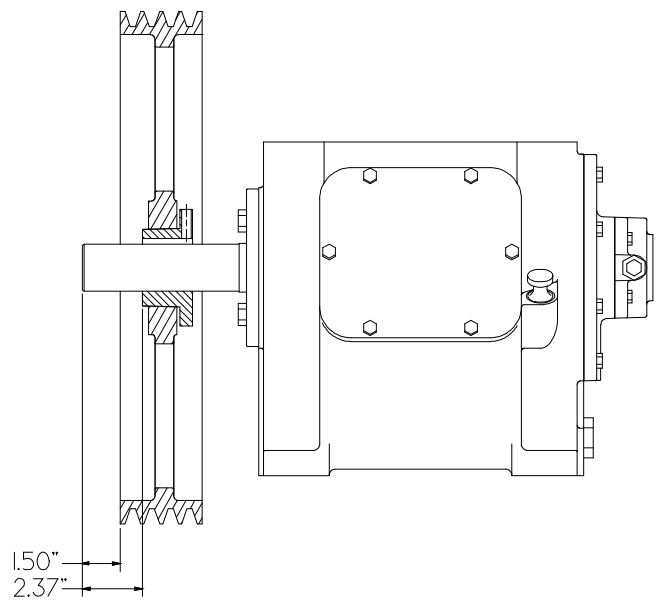
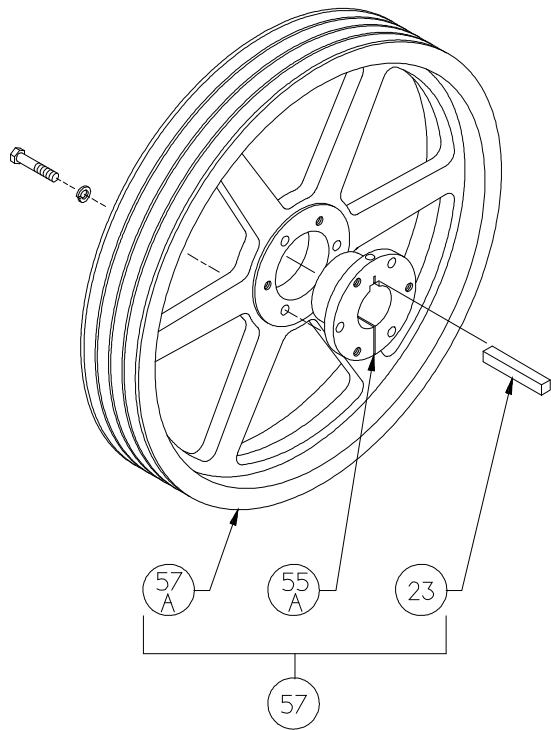
Oil Pump

| Ref | Description | Qty | Part No |
|-----|--------------------------------|-----|---------|
| 2B | Oil Filter | 1 | 794726 |
| 5A | Oil Pump Kit (with 6, 9F, 60L) | | 794760 |
| 6 | Oil Pump Cone | 1 | 794750 |
| 7 | Oil Pressure Gauge | 1 | 790012 |
| 8A | Oil Pressure Adj. Ball | 1 | 792154 |
| 9A | Oil Pressure Adj. Spring | 1 | 792153 |
| 9F | Oil Pump Spring | 1 | 794751 |
| 10 | Oil Pressure Adj. Screw | 1 | 792148 |
| 10A | Locknut | 1 | 792152 |

ISO1083

| Ref | Description | Qty | Part No |
|-----|---|-----|---------|
| | Oil Pump Cover Assembly - For Filter | | 794764 |
| 14 | Oil Pump Cover Assembly (includes 17A, 96B) | 1 | 794763 |
| 17A | Roll Pin | 1 | 794753 |
| 30 | Oil Filter Fitting | 1 | 794725 |
| 60L | Gasket - Oil Pump Cover * | 1 | 794721 |
| 61C | O-Ring - Adjusting Screw * | 1 | 792168 |
| 63D | Capscrew - Socket Head | 4 | 790559 |
| 96B | Pipe Plug | 2 | 790309 |

* Included in Gasket Sets

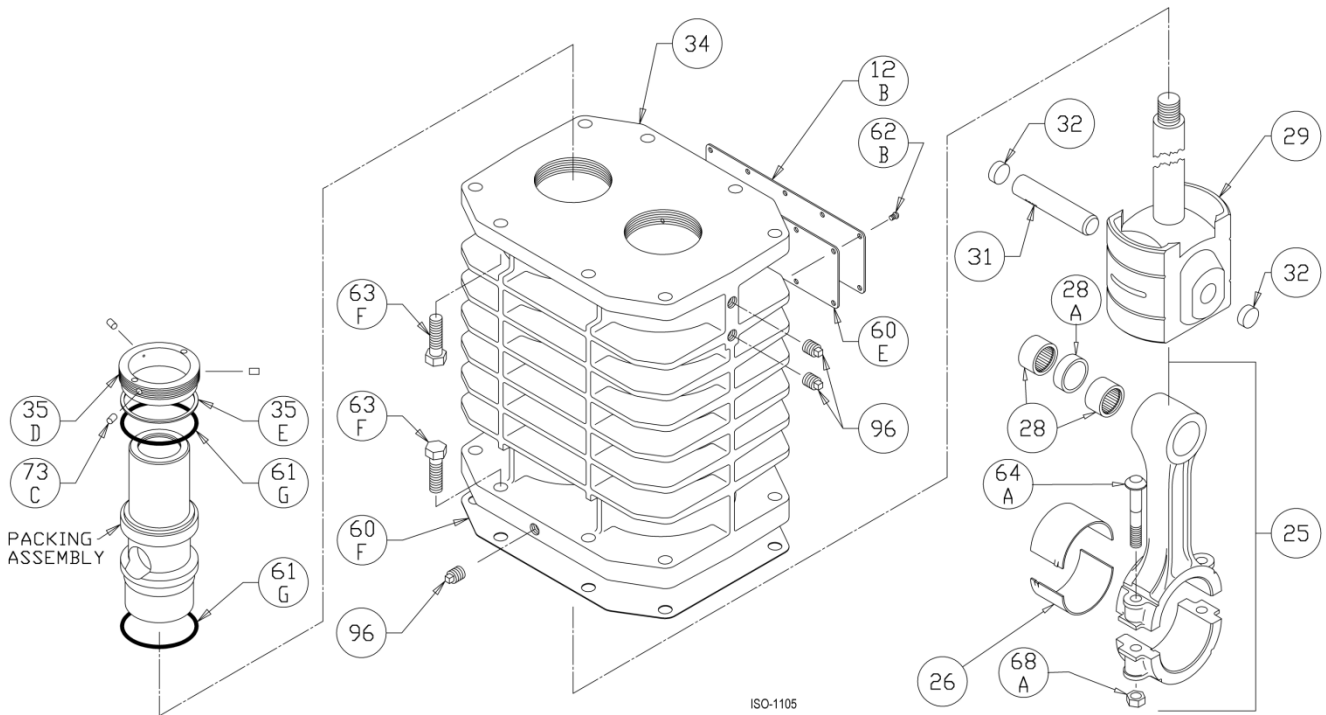


ISO-1084

Flywheel

ISO1084

| Ref | Description | Qty | Part No |
|-----|-------------------|-----|---------|
| 23 | Key | 1 | 794267 |
| 55A | Hub | 1 | 790149 |
| 57 | Flywheel Assembly | 1 | 794132 |
| 57A | Flywheel | 1 | 790545 |



ISO-1105

Crosshead

ISO1105

| Ref | Description | Qty | Part No |
|-----|--|-----|---------|
| 12B | Inspection Plate | 1 | 794093 |
| 25 | Connecting Rod Assembly | 2 | 794767 |
| 26 | Connecting Rod Bearing | 2 | 794710 |
| 28 | Wrist Pin Roller Bearing | 4 | 794776 |
| 28A | Bearing Spacer | 2 | 794770 |
| 29 | Crosshead Assembly (top marked '90k') | 2 | 794523 |
| 31 | Wrist Pin | 2 | 794727 |
| 32 | Wrist Pin Plug | 4 | 794724 |
| 34 | Crosshead Guide | 1 | 794430 |
| 35D | Hold-down Ring | 2 | 794220 |

| Ref | Description | Qty | Part No |
|-----|-------------------------------------|-----|---------|
| 35E | Spacer Ring | 2 | 794403 |
| 60E | Gasket - Inspection Plate * | 1 | 794092 |
| 60F | Gasket - Crankcase * | 1 | 794121 |
| 61G | O-Ring (FKM) * | 4 | 794213 |
| 62B | Machine Screw - Inspection Plate | 10 | 793096 |
| 63F | Capscrew - Hex Hd – Stainless Steel | 16 | 801185 |
| 64A | Connecting Rod Bolt | 4 | 794012 |
| 68A | Connecting Rod Bolt Nut | 4 | 794013 |
| 72A | Elbow - Vent | 1 | 790453 |
| 73C | Lock Plug * | 6 | 794028 |
| 96 | Pipe Plug | 4 | 908198 |

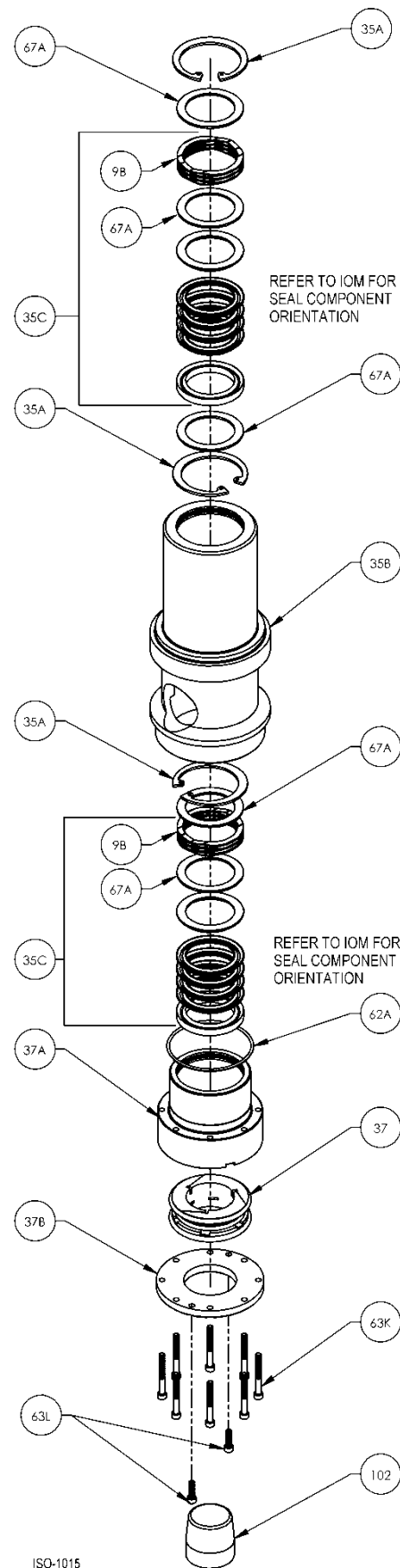
*Included in Gasket Sets

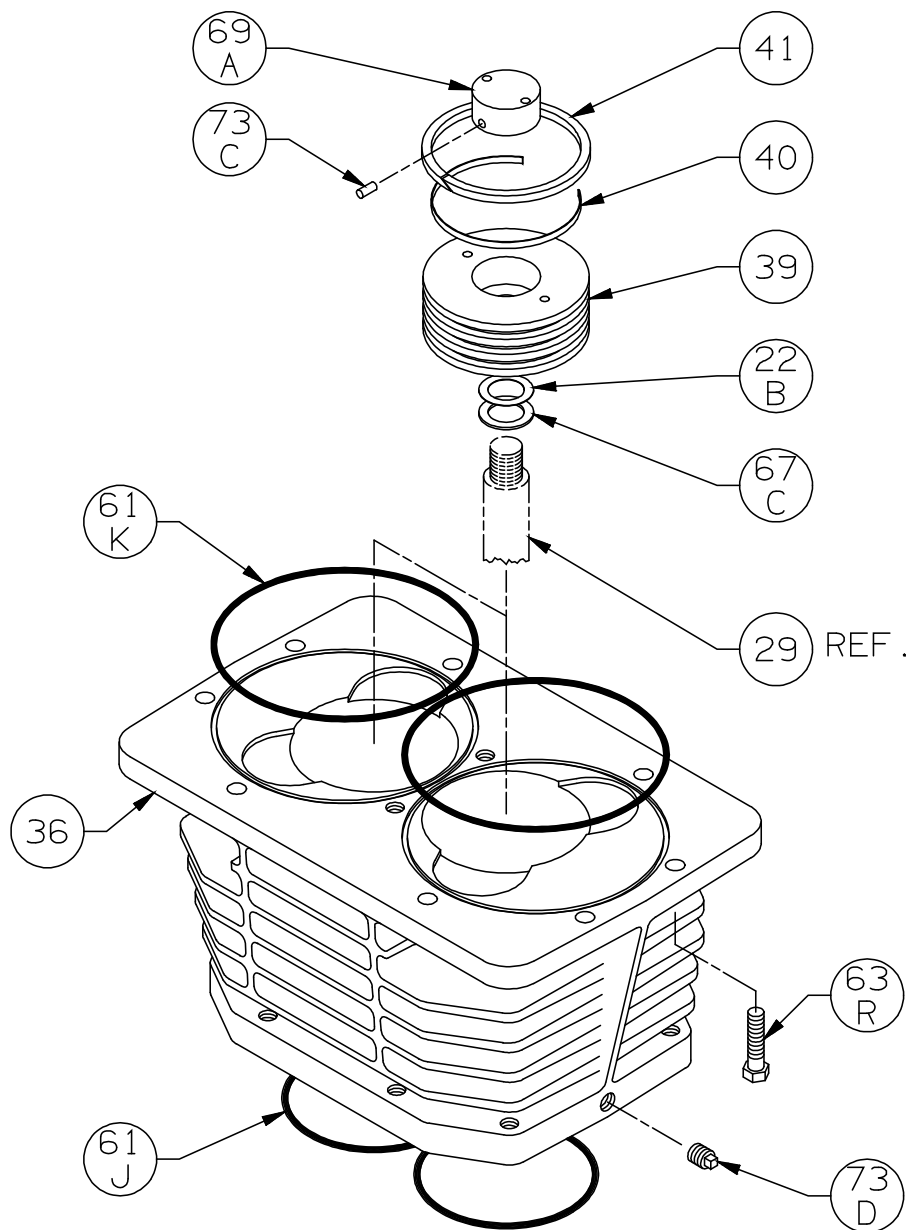
Packing

| Ref | Description | Qty | Part No |
|-----|----------------------------------|-----|---------|
| 9B | Packing Spring – Stainless Steel | 4 | 794041 |
| 35A | Retainer Ring – Stainless Steel | 6 | 794511 |
| 35B | Packing Box (top marked '1018') | 2 | 794445 |
| 35C | Packing Set | 4 | 794498 |
| 37 | S3R Seal | 2 | 794456 |
| 37A | Seal Cup | 2 | 794455 |
| 37B | Seal Cup Cover | 2 | 794454 |
| 62A | O-Ring (FKM) * | 2 | 792313 |
| 63K | Capscrew – Socket Head – SS | 16 | 794464 |
| 63L | Capscrew – Socket Head – SS | 4 | 794465 |
| 67A | Washer - Packing Box | 10 | 794084 |
| 102 | Packing Installation Tool | 1 | 790538 |

* Included in gasket sets.

Refer to the Compressor IOM for proper orientation of components.





ISO-1021

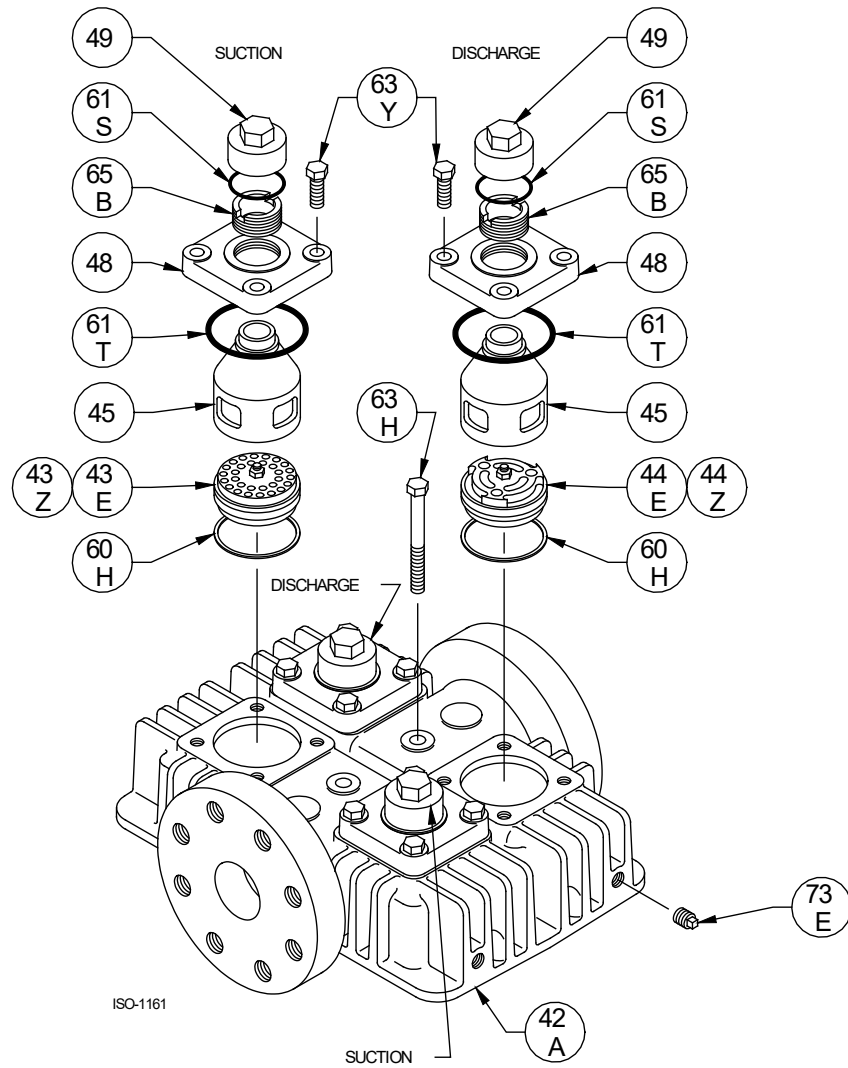
Cylinder

| Ref | Description | Qty | Part No |
|-----|----------------------|-----|---------|
| 22B | Piston Shim - 0.015" | AR | 794434 |
| | Piston Shim - 0.007" | | 794436 |
| 36 | Cylinder | 1 | 794153 |
| 39 | Piston | 2 | 794508 |
| 40 | Expander | 6 | 794615 |
| 41 | Piston Ring | 6 | 794611 |
| 61J | O-Ring (FKM) * | 2 | 794214 |

ISO1021

| Ref | Description | Qty | Part No |
|-----|-------------------------------------|-----|---------|
| 61K | O-Ring (FKM) * | 2 | 794106 |
| 63R | Capscrew - Hex Hd - Stainless Steel | 8 | 793150 |
| 67C | Thrust Washer | 2 | 794433 |
| 69A | Piston Nut | 2 | 794422 |
| 73C | Lock Plug * | 4 | 794222 |
| 73D | Pipe Plug | 1 | 908198 |

* Included in Gasket Sets



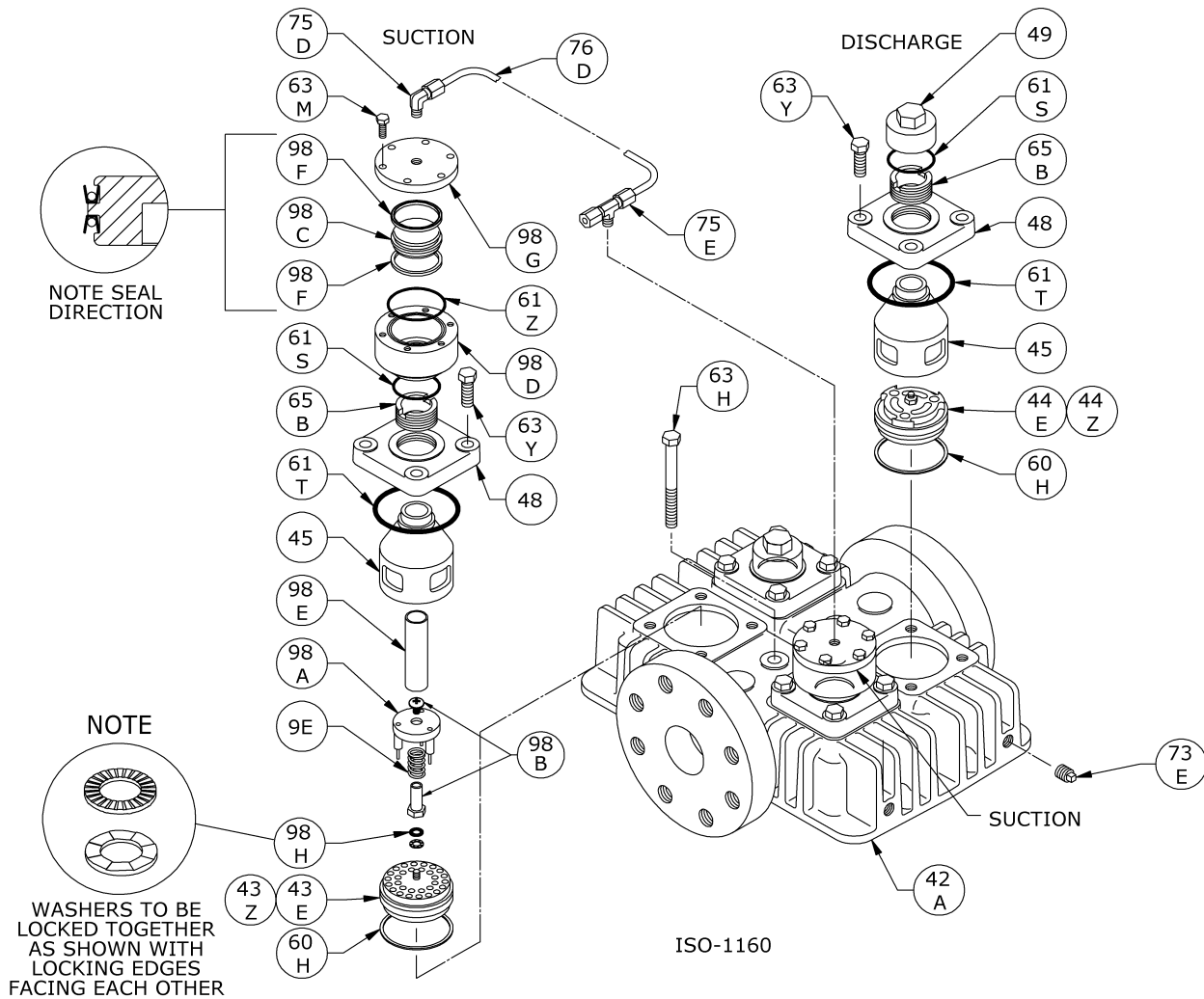
Head

ISO1161

| Ref | Description | Qty | Part No |
|-----|---|-----|------------------|
| 42A | Head (ANSI Flanges) | 1 | 794100 |
| 43E | Suction Valve Assembly Suction Valve Assy, Stainless Steel | 2 | 793659 793629 |
| 43Z | Valve Repair Kit - for 793659/793679 Valve Repair Kit - for 793629 | | 793660 793630 |
| 44E | Discharge Valve Assembly Discharge Valve Assy, Stainless Stl | 2 | 793679 793649 |
| 44Z | Valve Repair Kit - for 793659/793679 Valve Repair Kit - for 793649 | | 793660 793650 |
| 45 | Cage | 4 | 794620 |

| Ref | Description | Qty | Part No |
|-----|----------------------------|-----|---------|
| 48 | Valve Cover Plate | 4 | 794284 |
| 49 | Valve Cap | 4 | 792003 |
| 60H | Gasket - Valve * | 4 | 794198 |
| 61S | O-Ring (FKM) * | 4 | 792308 |
| 61T | O-Ring (FKM) * | 4 | 792213 |
| 63H | Capscrew - Stainless Steel | 2 | 920588 |
| 63Y | Capscrew - Stainless Steel | 16 | 793153 |
| 65B | Valve Holddown Screw | 4 | 792002 |
| 73E | Pipe Plug | 2 | 908198 |

* Included in Gasket Sets



Head Assembly with Unloaders: HD601B|A, HD602C|B|A, HD603C|B|A

ISO1160

| Ref | Description | Qty | Part No |
|-----|---|-----|------------------|
| 9E | Unloader Spring | 2 | 793293 |
| 42A | Head (ANSI Flanges) | 1 | 794100 |
| 43E | Suction Valve Assembly Suction Valve Assy, Stainless Steel | 2 | 793659 793629 |
| 43Z | Valve Repair Kit - For 793659/793679 Valve Repair Kit - For 793629 | | 793660 793630 |
| 44E | Discharge Valve Assembly Discharge Valve Assy, Stainless Steel | 2 | 793679 793649 |
| 44Z | Valve Repair Kit - For 793659/793679 Valve Repair Kit - For 793649 | | 793660 793650 |
| 45 | Cage | 4 | 794620 |
| 48 | Valve Cover Plate | 4 | 794284 |
| 49 | Valve Cap | 2 | 792003 |
| 60H | Gasket - Valve * | 4 | 794198 |
| 61S | O-Ring (FKM) * | 4 | 792308 |
| 61T | O-Ring (FKM) * | 4 | 792213 |
| 61Z | O-Ring (FKM) * | 2 | 792313 |
| 63H | Capscrew - Stainless Steel | 2 | 920588 |

| Ref | Description | Qty | Part No |
|-----|---|-----|------------------|
| 63M | Capscrew - Hex Hd | 12 | 797093 |
| 63Y | Capscrew - Stainless Steel | 16 | 793153 |
| 65B | Valve Holddown Screw | 4 | 792002 |
| 73E | Pipe Plug | 2 | 908198 |
| 75D | Tube Elbow | 1 | 790355 |
| 75E | Tube Tee | 1 | 790356 |
| 76D | Tube | 1 | 790357 |
| 98A | Actuator Assembly Actuator Assembly, for SS Valve | 2 | 794296 794298 |
| 98B | Unloader Post w/bolt ¹ Unloader Post w/bolt ¹ , for SS Valve | 2 | 793291 794291 |
| 98C | Unloader Piston | 2 | 793288 |
| 98D | Unloader Body | 2 | 793286 |
| 98E | Unloader Plunger | 2 | 794290 |
| 98F | Unloader Seal | 4 | 792284 |
| 98G | Unloader Cap | 2 | 793287 |
| 98H | Lockwasher (2 piece) | 2 | 793473 |

* Included in Gasket Sets

Suggested Spares

| Part # | Description | Qty./ Unit | Comm. Qty. | Spare Qty. |
|--|-----------------------------|---------------|---------------|---------------|
| 794595 | Gasket Set - FKM, Iron | 1 | 1 | 1 |
| 793659 | Suction Valve | 2 | | 2 |
| 793660 | Repair Kit, Suction Valve | | 1 | |
| 793679 | Discharge Valve | 2 | | 2 |
| 793660 | Repair Kit, Suction Valve | | 1 | |
| 794611 | Piston Ring | 6 | 6 | 6 |
| 794615 | Piston Ring Expander | 6 | 6 | 6 |
| 794498 | Packing Set | 4 | 4 | 4 |
| 794726 | Oil Filter | 1 | | 6 |
| 794727 | Wrist Pin | 2 | | 2 |
| 794776 | Wrist Pin Roller Bearing | 4 | 4 | 4 |
| 794710 | Conrod Bearing | 2 | 2 | 2 |
| The following parts would normally be required only for major compressor overhaul. | | | | |
| 794730 | Inboard Bearing Cone | 1 | | 1 |
| 794731 | Inboard Bearing Cup | 1 | | 1 |
| 794130 | Outboard Bearing Cone | 1 | | 1 |
| 794131 | Outboard Bearing Cup | 1 | | 1 |
| 794523 | Crosshead Assembly | 2 | | 1 |
| 794767 | Conrod Assembly | 2 | | 1 |
| 794456 | S3R Seal | 2 | | 2 |
| 794760 | Oil Pump Repair Kit | 1 | | |
| 794708 | Crankshaft Assembly | 1 | | |
| 794733 | Bearing Adjustment Shim Kit | 1 | | |
| 794153 | Cylinder | 1 | | |

Notes:

Notes: