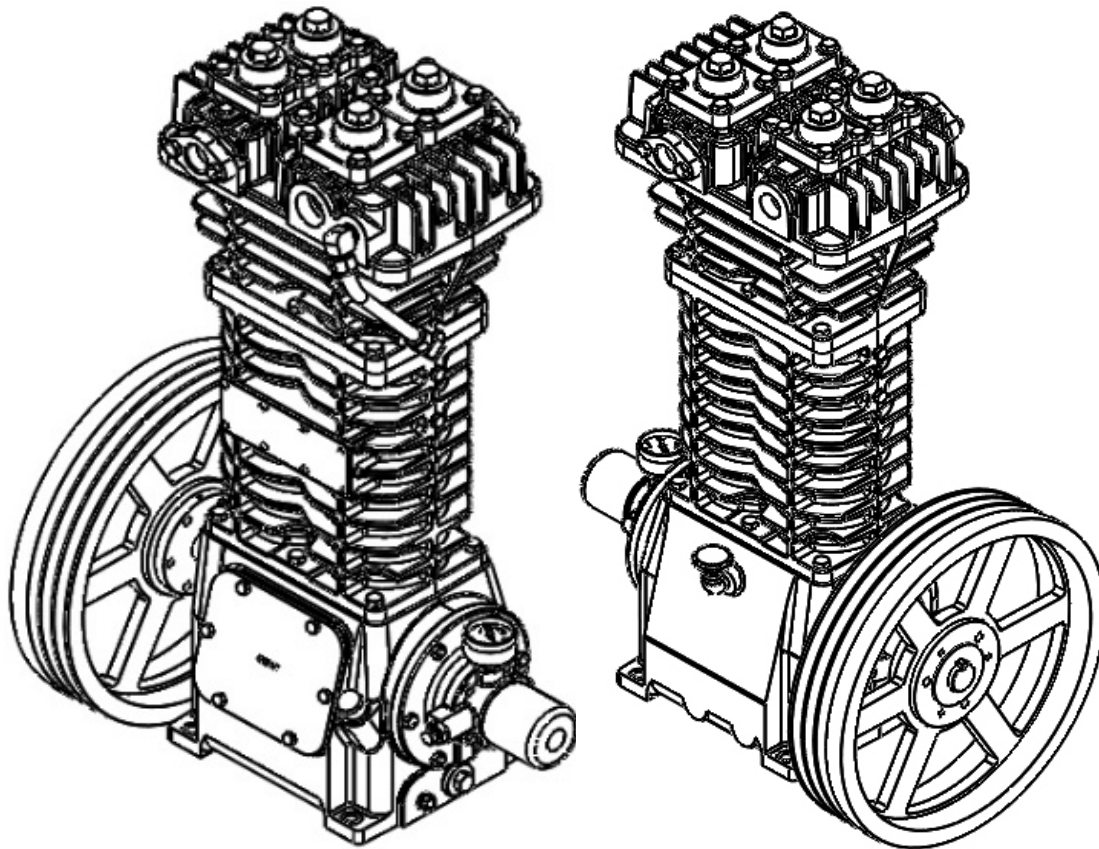


NGS372C PARTS LIST

(See Instructions 601-A00 for Operation and Maintenance)

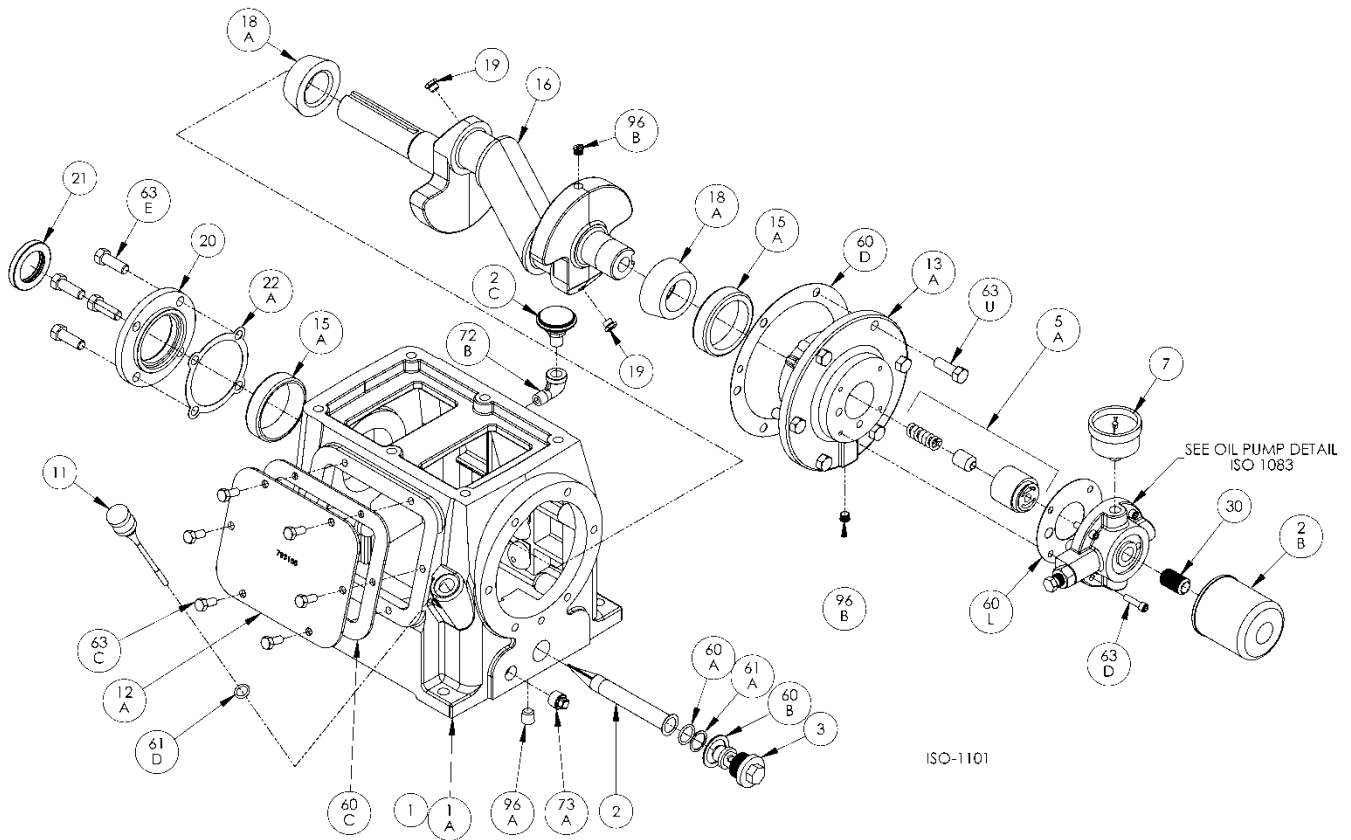
Serial # _____

ID# _____



Gasket Set, Repair Kits and Special Tools

| | | |
|----------------------------------|------------|-----------------------|
| Gasket Set | FKM & Iron | 793697 |
| Packing Installation Tool | | 790536 |
| Valve Hold Down Screw Tool | | 798016 |
| Spanner Wrench, 1/4" Adjustable | | 790316 |
| Wrench for Valve Hold Down Screw | | 790535 |
| Piston Tool | | 798005 & 798009 |
| Tool Kit | | 790199 |

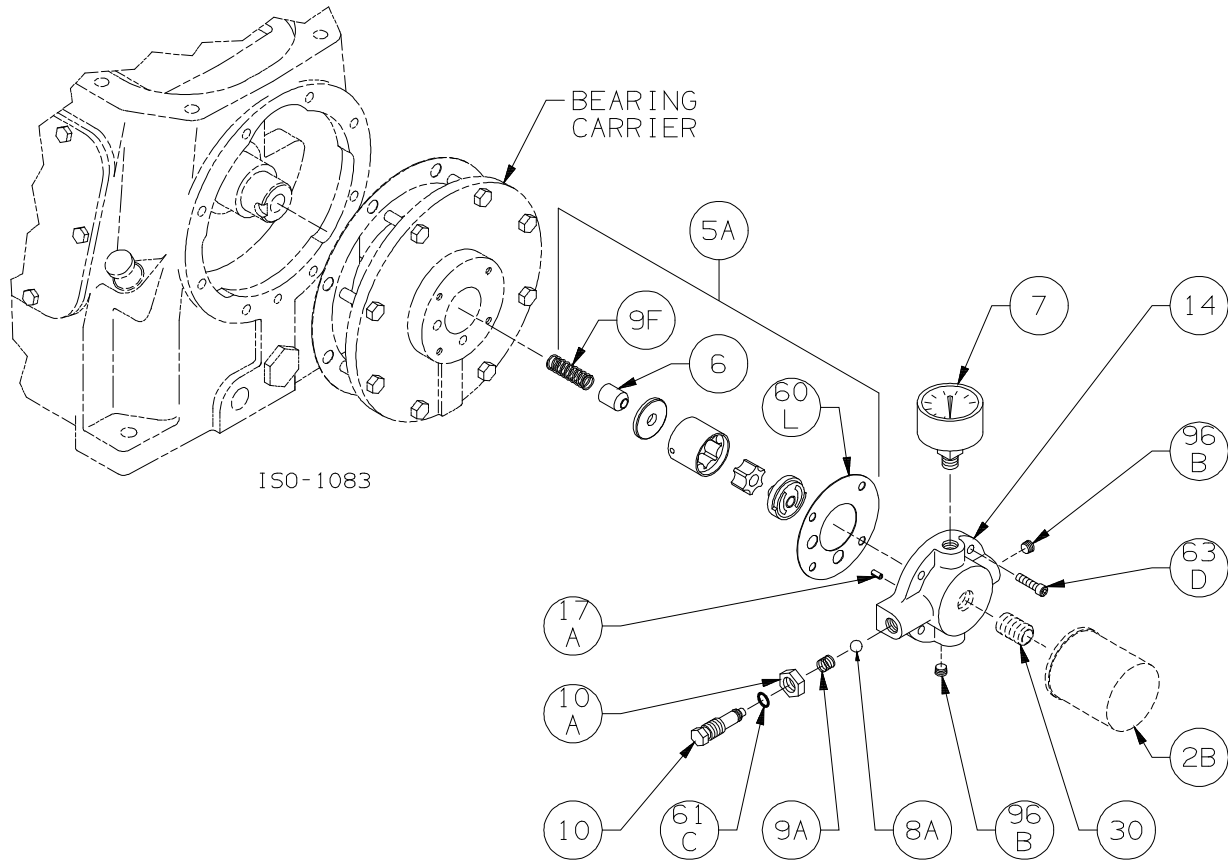


Crankcase ISO1101

| Ref | Description | Qty | Part No |
|-----|-------------------------------------|-----|---------|
| 1 | Crankcase Assembly - Oil Filter | 1 | 793100 |
| 1A | Crankcase | 1 | 793102 |
| 2 | Oil Intake Screen | 1 | 792135 |
| 2B | Oil Filter | 1 | 794726 |
| 2C | Breather Filter | 1 | 792070 |
| 3 | Oil Screen Plug | 1 | 792145 |
| 5A | Oil Pump Kit | 1 | 794760 |
| 7 | Oil Pressure Gauge | 1 | 790012 |
| 11 | Oil Bayonet Assembly | 1 | 792162 |
| 12A | Inspection Plate | 1 | 793105 |
| 13A | Bearing Carrier | 1 | 793104 |
| 15A | Bearing Cup | 2 | 793126 |
| 16 | Crankshaft Assembly (w/ 18A,19,96B) | 1 | 793157 |
| 18A | Bearing Cone | 2 | 793142 |
| 19 | Orifice | 2 | 792146 |
| 20 | Bearing Cover Plate | 1 | 793106 |
| 21 | Oil Seal | 1 | 793143 |

| Ref | Description | Qty | Part No |
|-----|------------------------------------|-----|---------|
| 22A | Bearing Adjustment Shim Kit | 1 | 793133 |
| 30 | Oil Filter Fitting | 1 | 794725 |
| 60A | Gasket - Oil Screen * | 1 | 792136 |
| 60B | Gasket - Oil Screen Plug * | 1 | 792123 |
| 60C | Gasket - Inspection Plate * | 1 | 793122 |
| 60D | Gasket - Bearing Carrier Assembly* | 1 | 793124 |
| 60L | Gasket - Oil Pump Cover * | 1 | 794721 |
| 61A | O-Ring - Oil Screen * | 1 | 792175 |
| 61D | O-Ring - Oil Bayonet * | 1 | 792174 |
| 63C | Capscrew - Hex Hd | 6 | 793116 |
| 63D | Capscrew - Soc Hd | 4 | 790559 |
| 63E | Capscrew - Hex Hd | 4 | 792093 |
| 63U | Capscrew - Hex Hd | 6 | 792093 |
| 72B | Elbow | 1 | 790453 |
| 73A | Pipe Plug | 1 | 792166 |
| 96A | Pipe Plug | 1 | 790488 |
| 96B | Pipe Plug | 2 | 790309 |

* Included in Gasket Sets



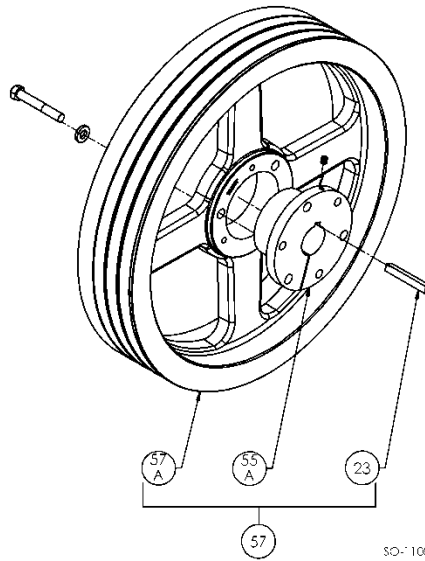
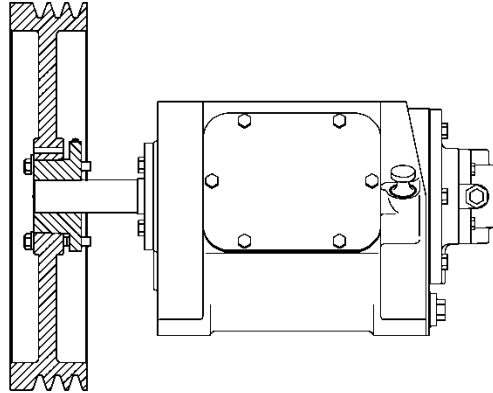
Oil Pump

| Ref | Description | Qty | Part No |
|-----|--------------------------------|-----|---------|
| 2B | Oil Filter | 1 | 794726 |
| 5A | Oil Pump Kit (with 6, 9F, 60L) | | 794760 |
| 6 | Oil Pump Cone | 1 | 794750 |
| 7 | Oil Pressure Gauge | 1 | 790012 |
| 8A | Oil Pressure Adj. Ball | 1 | 792154 |
| 9A | Oil Pressure Adj. Spring | 1 | 792153 |
| 9F | Oil Pump Spring | 1 | 794751 |
| 10 | Oil Pressure Adj. Screw | 1 | 792148 |
| 10A | Locknut | 1 | 792152 |

ISO1083

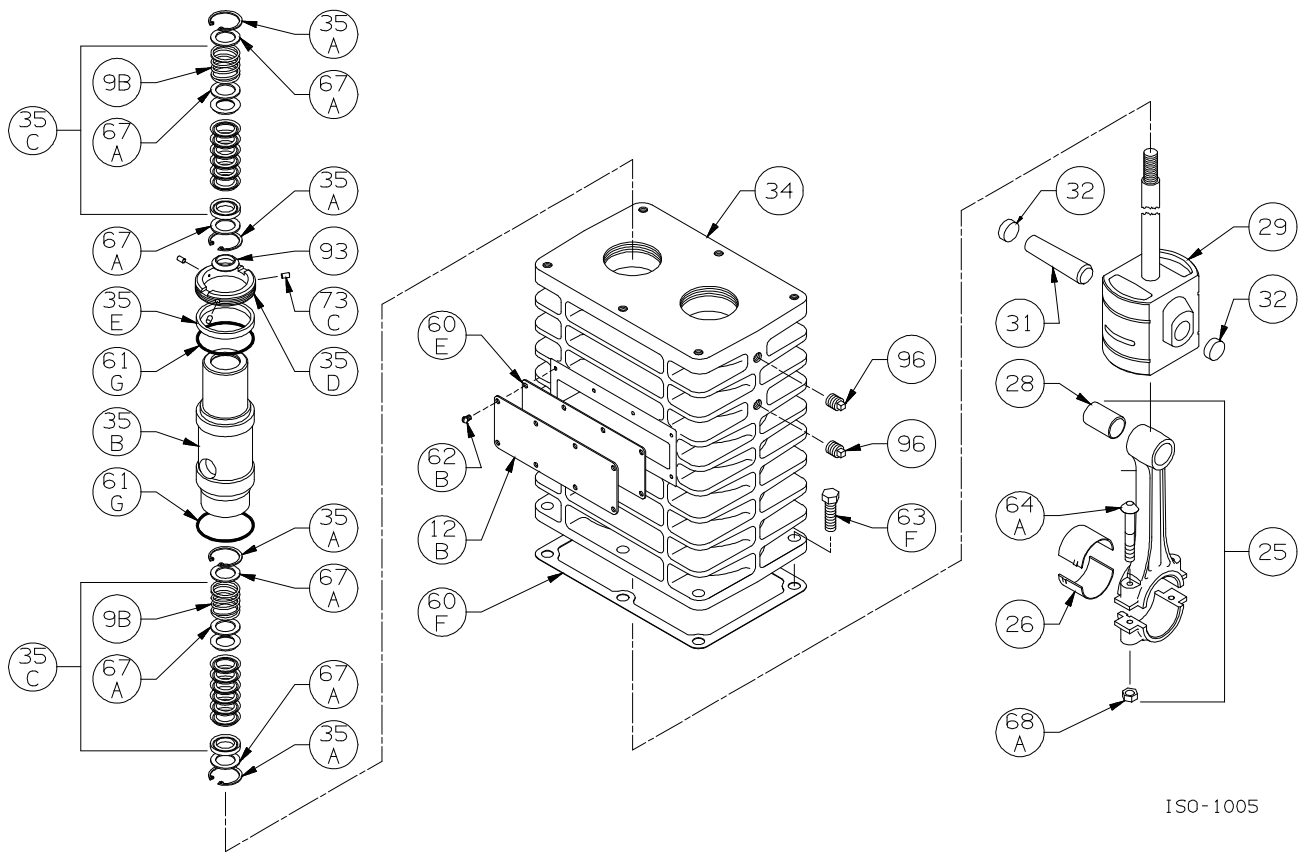
| Ref | Description | Qty | Part No |
|-----|---|-----|---------|
| | Oil Pump Cover Assembly - For Filter | | 794764 |
| 14 | Oil Pump Cover Assembly (includes 17A, 96B) | 1 | 794763 |
| 17A | Roll Pin | 1 | 794753 |
| 30 | Oil Filter Fitting | 1 | 794725 |
| 60L | Gasket - Oil Pump Cover * | 1 | 794721 |
| 61C | O-Ring - Adjusting Screw * | 1 | 792168 |
| 63D | Cap screw - Socket Head | 4 | 790559 |
| 96B | Pipe Plug | 2 | 790309 |

* Included in Gasket Sets



Flywheel

| Ref | Description | Qty | Part No |
|-----|-------------------|-----|---------|
| 23 | Key | 1 | 793167 |
| 55A | Hub (SF 1.375") | 1 | 790143 |
| 57 | Flywheel Assembly | 1 | 793047 |
| 57A | Flywheel | 1 | 792197 |



ISO-1005

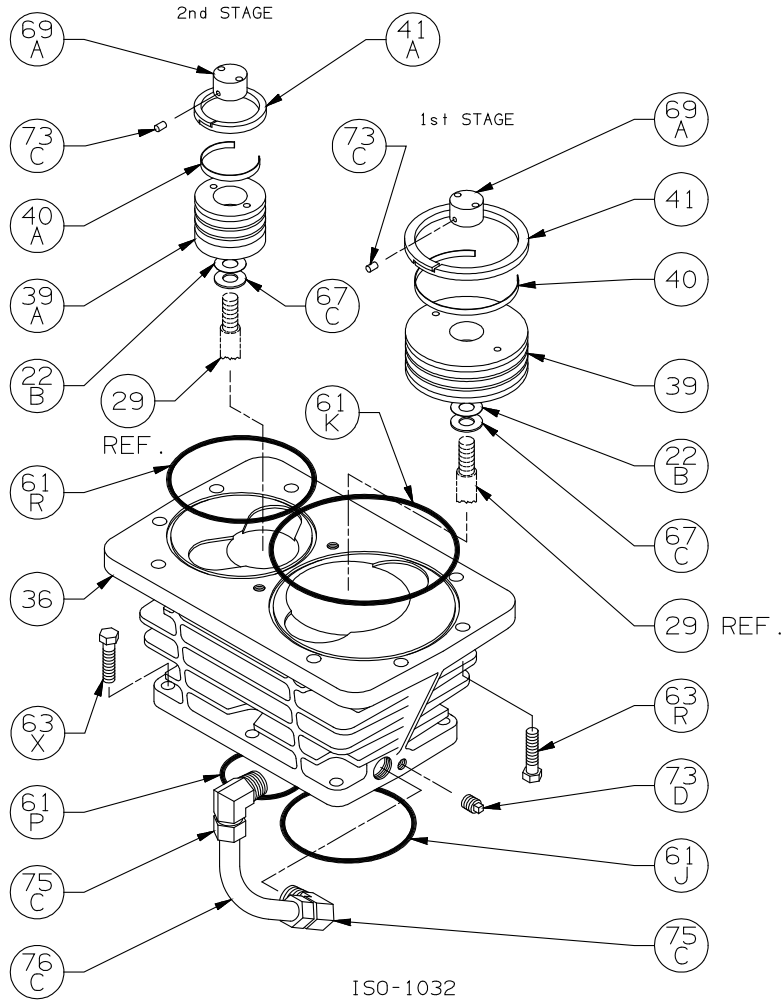
Crosshead

ISO1005

| Ref | Description | Qty | Part No |
|-----|--|-----|---------|
| 9B | Packing Spring, Stainless Steel | 4 | 793503 |
| 12B | Inspection Plate | 1 | 793093 |
| 25 | Connecting Rod Assembly | 2 | 793309 |
| 26 | Connecting Rod Bearing | 2 | 793002 |
| 28 | Wrist Pin Roller Bearing | 2 | 793305 |
| 29 | Crosshead Assembly top marked '90k' | 2 | 793501 |
| 31 | Wrist Pin | 2 | 793307 |
| 32 | Wrist Pin Plug | 4 | 793308 |
| 34 | Crosshead Guide | 1 | 793455 |
| 35A | Retainer Ring, Stainless Steel | 8 | 793504 |
| 35B | Packing Box (top marked '1018') | 2 | 793502 |
| 35C | Packing Set | 4 | 793506 |

| Ref | Description | Qty | Part No |
|-----|------------------------------------|-----|---------|
| 35D | Hold-down Ring | 2 | 793220 |
| 35E | Spacer Ring | 2 | 793402 |
| 60E | Gasket - Inspection Plate * | 1 | 793092 |
| 60F | Gasket - Crankcase * | 1 | 793121 |
| 61G | O-Ring (FKM) * | 4 | 793213 |
| 62B | Machine Screw - Inspection Plate | 8 | 793096 |
| 63F | Capscrew - Hex Hd, Stainless Steel | 6 | 793153 |
| 64A | Connecting Rod Bolt | 4 | 793006 |
| 67A | Washer - Packing Box | 12 | 792087 |
| 68A | Connecting Rod Bolt Nut | 4 | 793007 |
| 73C | Lock Plug * | 6 | 792030 |
| 93 | Oil Deflector Ring | 2 | 793478 |
| 96 | Pipe Plug | 4 | 908198 |

*Included in Gasket Sets



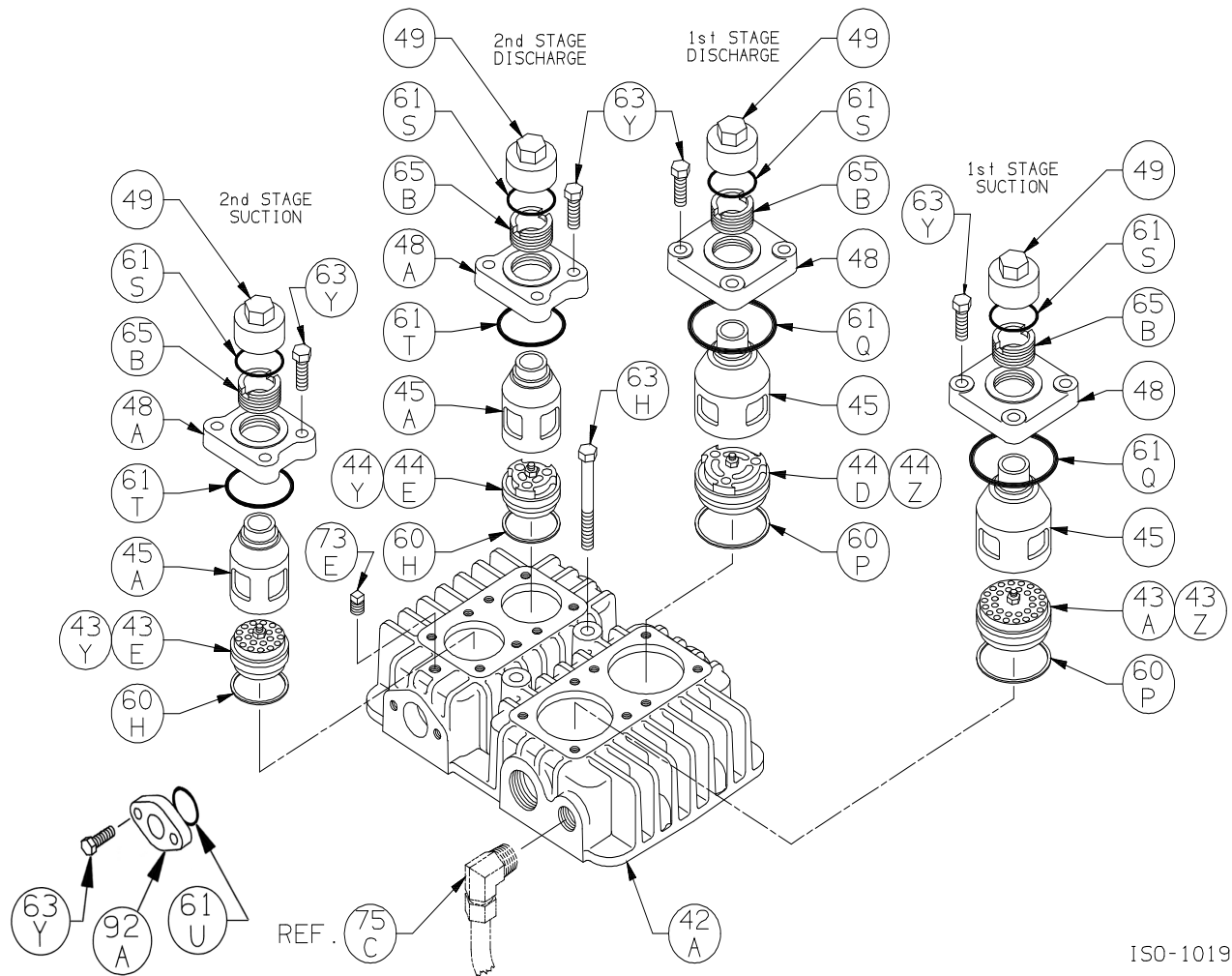
Cylinder Assembly: Model HDS372C

ISO1032

| Ref | Description | Qty | Part No |
|-----|---------------------------------|-----|---------|
| 22B | Piston Shim - 0.015 | AR | 792034 |
| | Piston Shim - 0.007 | | 792050 |
| 36 | Cylinder | 1 | 793601 |
| 39 | Piston | 1 | 793621 |
| 39A | Piston | 1 | 793622 |
| 40 | Expander | 3 | 793614 |
| 40A | Expander | 3 | 793615 |
| 41 | Piston Ring – Glass/Moly Filled | 3 | 793610 |
| 41A | Piston Ring – Glass/Moly Filled | 3 | 793611 |
| 61J | O-Ring (FKM) * | 1 | 794214 |
| 61K | O-Ring (FKM) * | 1 | 793633 |

| Ref | Description | Qty | Part No |
|-----|-------------------------------------|-----|---------|
| 61P | O-Ring (FKM) * | 1 | 794213 |
| 61R | O-Ring (FKM) * | 1 | 793643 |
| 63R | Capscrew - Hex Hd - Stainless Steel | 8 | 793150 |
| 63X | Capscrew - Hex Hd - Stainless Steel | 6 | 793151 |
| 67C | Thrust Washer | 2 | 792033 |
| 69A | Piston Nut | 2 | 793022 |
| 73C | Lock Plug * | 4 | 793028 |
| 73D | Pipe Plug | 1 | 908198 |
| 75C | Tube Elbow | 2 | 790393 |
| 76C | Tube | 1 | 790394 |

* Included in Gasket Sets



ISO-1019

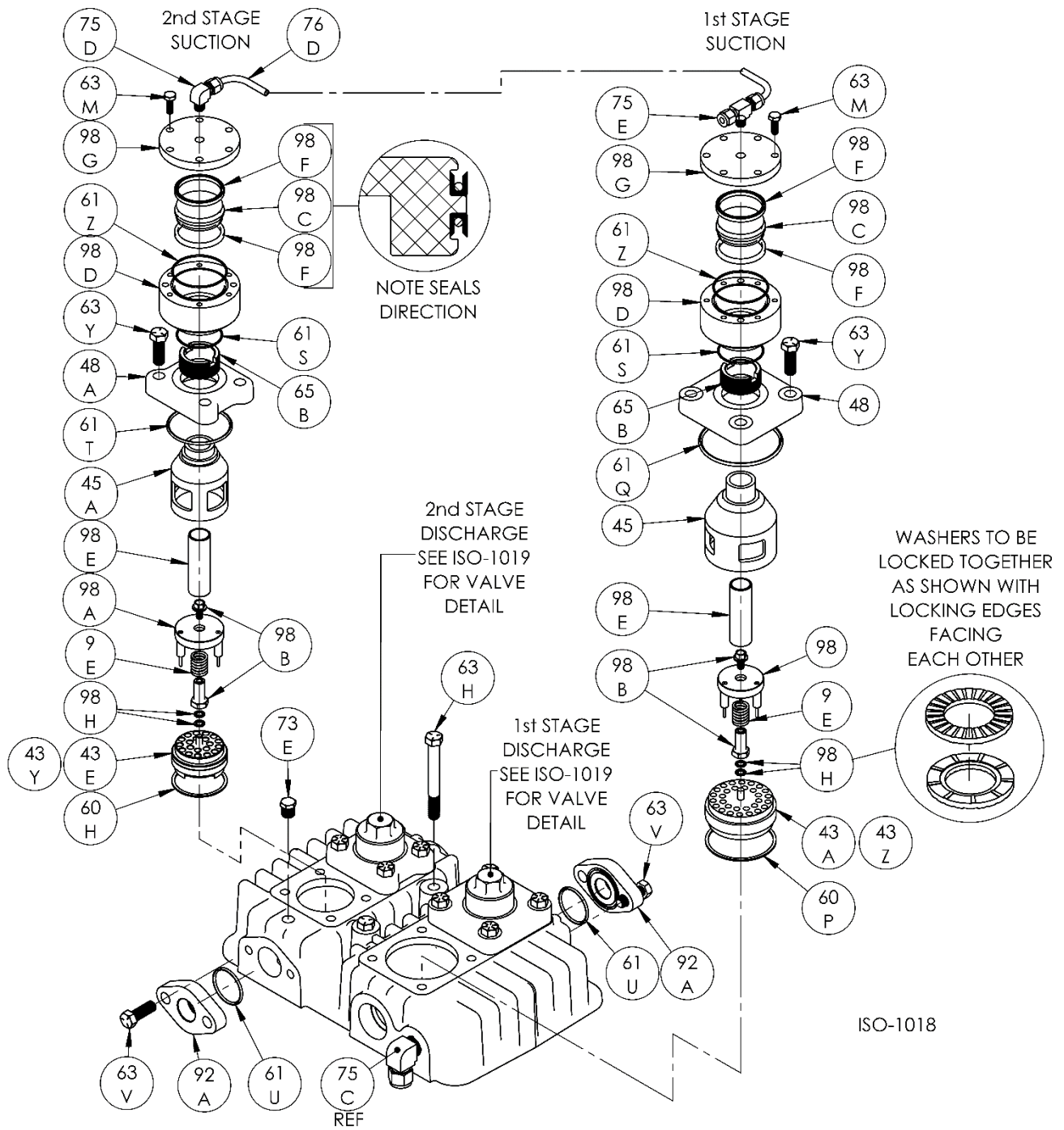
Head

ISO1019

| Ref | Description | Qty | Part No |
|-----|---|-----|------------------|
| 42A | Head | 1 | 793600 |
| 43A | Suction Valve Assembly Suction Valve Assy, Stainless Steel | 1 | 793659 793629 |
| 43E | Suction Valve Assembly Suction Valve Assy, Stainless Steel | 1 | 793459 793439 |
| 43Y | Valve Repair Kit - For 793459/793479 Valve Repair Kit - For 793439 | | 793460 793440 |
| 43Z | Valve Repair Kit - For 793659/793679 Valve Repair Kit - For 793629 | | 793660 793630 |
| 44D | Discharge Valve Assembly Discharge Valve Assy, Stainless Steel | 1 | 793679 793649 |
| 44E | Discharge Valve Assembly Discharge Valve Assy, Stainless Steel | 1 | 793479 793449 |
| 44Y | Valve Repair Kit - For 793459/793479 Valve Repair Kit - For 793449 | | 793460 793448 |
| 44Z | Valve Repair Kit - For 793659/793679 Valve Repair Kit - For 793649 | | 793660 793650 |

| Ref | Description | Qty | Part No |
|-----|-----------------------------------|-----|---------|
| 45 | Cage | 2 | 793620 |
| 45A | Cage | 2 | 793420 |
| 48 | Valve Cover Plate | 2 | 794284 |
| 48A | Valve Cover Plate | 2 | 793284 |
| 49 | Valve Cap | 4 | 792003 |
| 60H | Gasket - Valve * | 2 | 793202 |
| 60P | Gasket - Valve * | 2 | 794198 |
| 61Q | O-Ring (FKM) * | 2 | 792213 |
| 61S | O-Ring (FKM) * | 4 | 792308 |
| 61T | O-Ring (FKM) * | 2 | 793214 |
| 61U | O-Ring- Intercooler Flange PTFE * | 2 | 793626 |
| 63H | Capscrew - Stainless Steel | 2 | 793152 |
| 63Y | Capscrew - Stainless Steel | 20 | 793153 |
| 65B | Valve Holddown Screw | 4 | 792002 |
| 73E | Pipe Plug | 1 | 908198 |
| 92A | Flange - Intercooler | 2 | 793602 |

* Included in Gasket Sets



Head Assembly with Unloaders:

ISO1018

| Ref | Description | Qty | Part No |
|-----|---------------------------------------|-----|---------|
| 9E | Unloader Spring | 2 | 793293 |
| 42A | Head | 1 | 793600 |
| 43A | Suction Valve Assembly | 1 | 793659 |
| | Suction Valve Assy, Stainless Steel | | 793629 |
| 43E | Suction Valve Assembly | 1 | 793459 |
| | Suction Valve Assy, Stainless Steel | | 793439 |
| 43Y | Valve Repair Kit - For 793459/793479 | | 793460 |
| | Valve Repair Kit - For 793439 | | 793440 |
| 43Z | Valve Repair Kit - For 793659/793679 | | 793660 |
| | Valve Repair Kit - For 793629 | | 793630 |
| 44D | Discharge Valve Assembly | 1 | 793679 |
| | Discharge Valve Assy, Stainless Steel | | 793649 |
| 44E | Discharge Valve Assembly | 1 | 793479 |
| | Discharge Valve Assy, Stainless Steel | | 793449 |
| 44Y | Valve Repair Kit - For 793459/793479 | | 793460 |
| | Valve Repair Kit - For 793449 | | 793448 |
| 44Z | Valve Repair Kit - For 793659/793679 | | 793660 |
| | Valve Repair Kit - For 793649 | | 793650 |
| 45 | Cage | 2 | 793620 |
| 45A | Cage | 2 | 793420 |
| 48 | Valve Cover Plate | 2 | 794284 |
| 48A | Valve Cover Plate | 2 | 793284 |
| 49 | Valve Cap | 2 | 792003 |
| 60H | Gasket - Valve * | 2 | 793202 |
| 60P | Gasket - Valve * | 2 | 794198 |
| 61Q | O-Ring (FKM) * | 2 | 792213 |

* Included in Gasket Sets

| Ref | Description | Qty | Part No |
|-----|--|-----|---------|
| 61S | O-Ring (FKM) * | 4 | 792308 |
| 61T | O-Ring (FKM) * | 2 | 793214 |
| 61U | O-Ring (PTFE) Intercooler Flange * | 2 | 793626 |
| 61Z | O-Ring (FKM) * | 2 | 792313 |
| 63H | Capscrew - Stainless Steel | 2 | 793152 |
| 63M | Capscrew - Hex Hd | 12 | 797093 |
| 63Y | Capscrew - Stainless Steel | 16 | 793153 |
| 63V | Capscrew - Intercooler Flange | 4 | 793094 |
| 65B | Valve Holddown Screw | 4 | 792002 |
| 73E | Pipe Plug | 1 | 908198 |
| 75D | Tube Elbow | 1 | 790355 |
| 75E | Tube Tee | 1 | 790356 |
| 76D | Tube | 1 | 790197 |
| 92A | Intercooler Flange - 1" NPT | 2 | 793602 |
| 98 | Actuator Assembly - 1st Stage | 1 | 794296 |
| | Actuator Assy. - 1st St, for SS Valve | | 794298 |
| 98A | Actuator Assembly - 2nd Stage | 1 | 793296 |
| | Actuator Assy. - 2nd St, for SS Valve | | 793298 |
| 98B | Unloader Post w/bolt ¹ | 2 | 793291 |
| | Unloader Post w/bolt ¹ , for SS Valve | | 794291 |
| 98C | Unloader Piston | 2 | 793288 |
| 98D | Unloader Body | 2 | 793286 |
| 98E | Unloader Plunger | 2 | 793290 |
| 98F | Unloader Seal | 4 | 792284 |
| 98G | Unloader Cap | 2 | 793287 |
| 98H | Lockwasher (2 piece) | 2 | 793473 |

¹ Many compressors are supplied with custom intercoolers – please verify this PN with Blackmer prior to placing an order.

Suggested Spares

| Part # | Description | Qty./ Unit | Comm. Qty. | Spare Qty. |
|--|---|------------|------------|------------|
| 793697 | Gasket Set - FKM | 1 | 1 | 1 |
| 793660 793630 | St1 Suction Valve Repair Kit - PEEK St1 Suction Valve Repair Kit - Stainless Steel * | 1 | | 1 |
| 793460 793440 | St2 Suction Valve Repair Kit - PEEK St2 Suction Valve Repair Kit - Stainless Steel * | 1 | | |
| 793660 793650 | St1 Discharge Valve Repair Kit - PEEK St1 Discharge Valve Repair Kit - Stainless Steel * | 1 | | 1 |
| 793460 793448 | St2 Discharge Valve Repair Kit - PEEK St2 Discharge Valve Repair Kit - Stainless Steel * | 1 | | 1 |
| 792284 | Unloader Seal * | 4 | | 4 |
| 793610 | St1 Piston Ring - Glass/Moly Filled | 3 | 3 | 3 |
| 793614 | St1 Piston Ring Expander | 3 | 3 | 3 |
| 793611 | St2 Piston Ring - Glass/Moly Filled | 3 | | 3 |
| 793615 | St2 Piston Ring Expander | 3 | | 3 |
| 793506 | Packing Set | 4 | 4 | 4 |
| 794726 | Oil Filter | 1 | | 6 |
| 793307 | Wrist Pin | 2 | | 2 |
| 793305 | Wrist Pin Bearing | 2 | 2 | 2 |
| 793002 | Conrod Bearing | 2 | 2 | 2 |
| The following parts would normally be required only for major compressor overhaul. | | | | |
| 793142 | Bearing Cone | 2 | | 2 |
| 793126 | Bearing Cup | 2 | | 2 |
| 793501 | Crosshead Assembly | 2 | | 1 |
| 793309 | Conrod Assembly | 2 | | 1 |
| 794760 | Oil Pump Repair Kit | 1 | | |
| 793157 | Crankshaft Assembly | 1 | | |
| 793133 | Bearing Adjustment Shim Kit | 1 | | |
| 793601 | Cylinder | 1 | | |

* Optional Equipment on New Compressors

Notes:

Notes: