

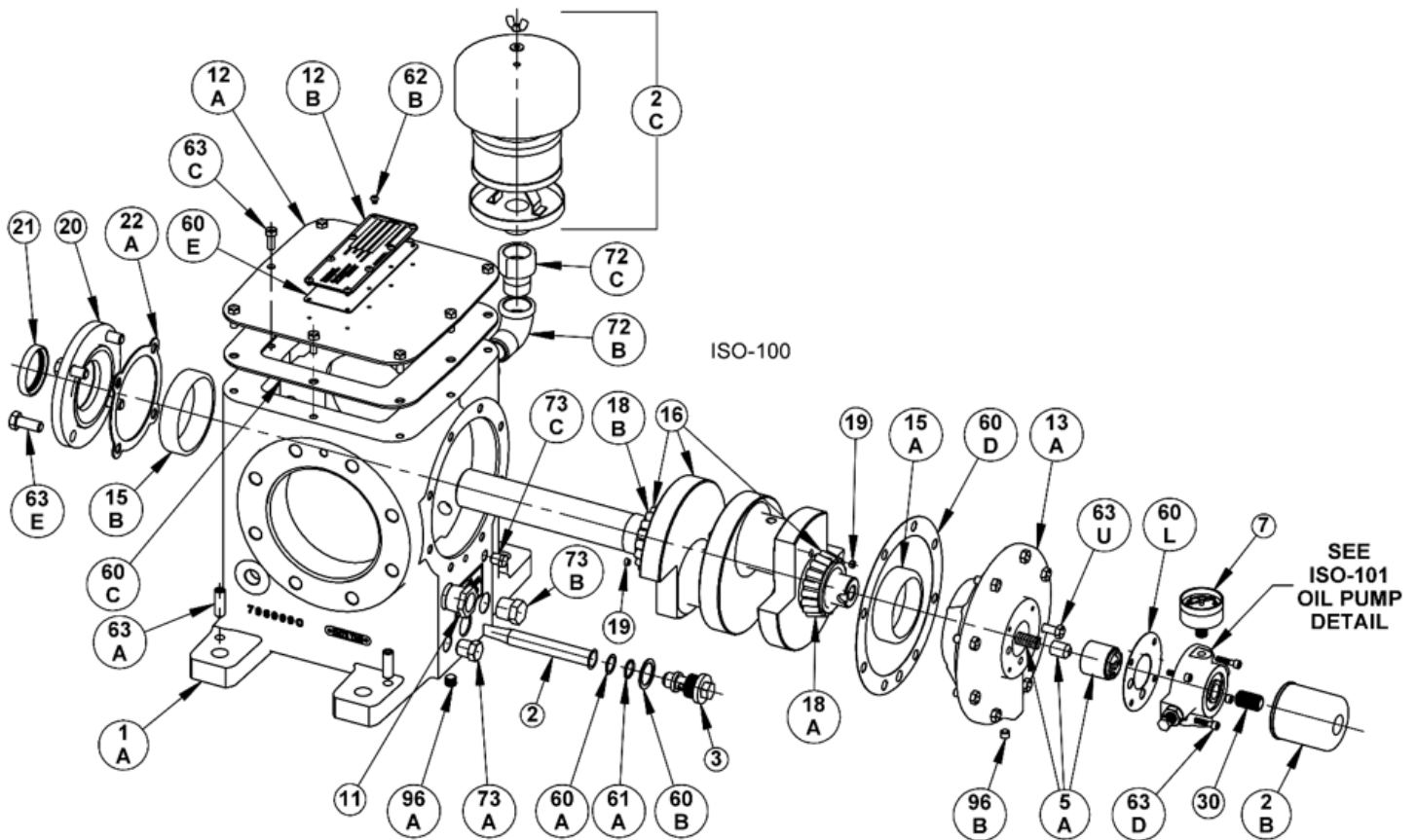
NGH100A Parts List

(See Instructions 601-B00 for Operation and Maintenance)

Serial # _____

ID# _____

This document (16 pages) is valid for compressors built after 4/1/2019



Crankcase Assembly

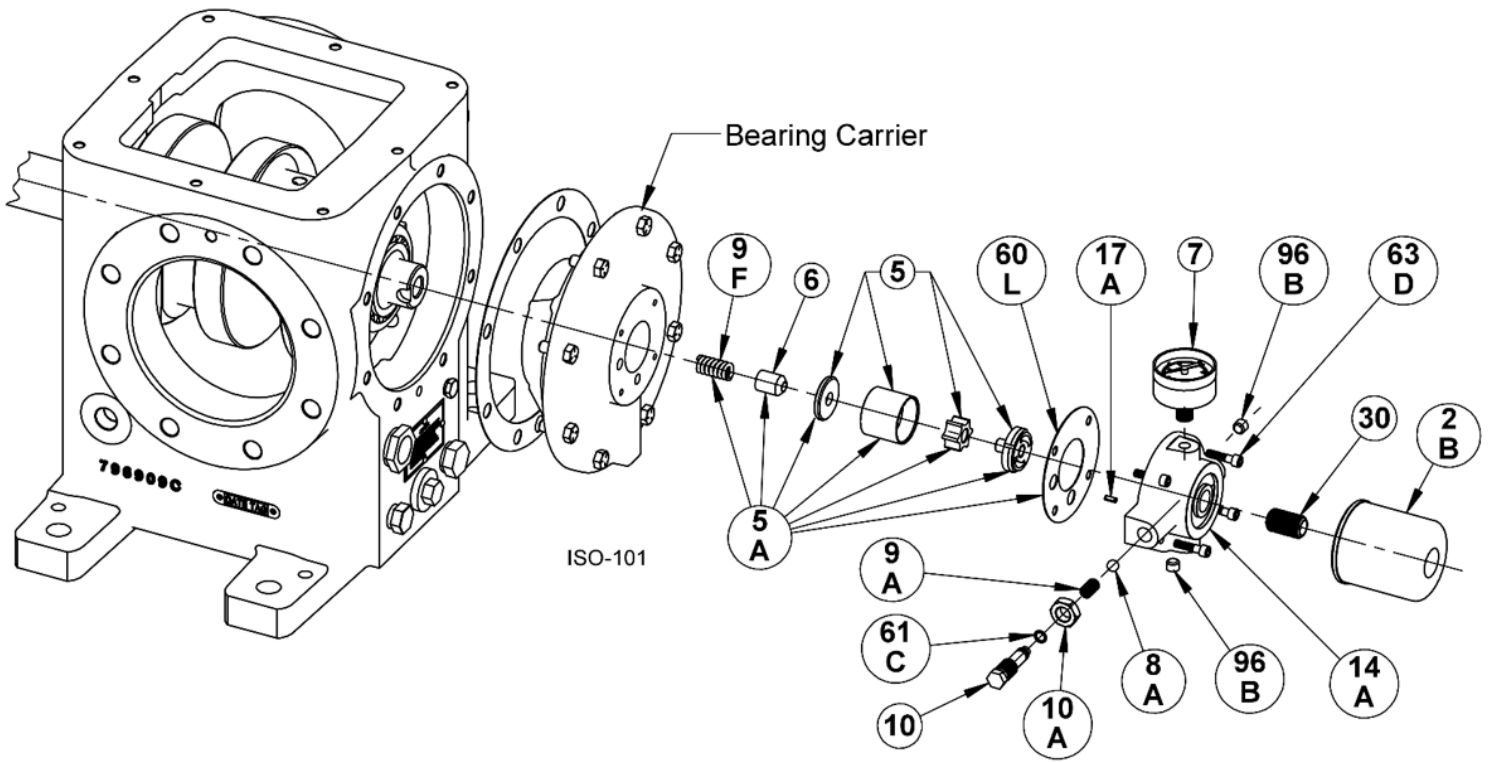
ISO-100

Ref	Description	Qty	Part No
	All Crankcase Assemblies Include Oil Filter 2B		
1	Crankcase Assembly Standard	1	797325
	Crankcase Asm. W/Key Standard	1	797327
	Crankcase Assembly Extended	1	796948
	Crankcase Asm. W/Key Extended	1	TBD
1A	Crankcase	1	796909
2	Oil Intake Screen	1	792135
2C	Crankcase Breather Assembly	1	797069
3	Oil Screen Plug	1	792145
5A	Oil Pump Kit	1	794760
7	Oil Pressure Gage	1	790012
11	Site Glass, Oil Level	1	098306
12A	Inspection Plate	1	796901
12B	ID Tag	1	N/A
13A	Bearing Carrier	1	794714
15A	Bearing Cup (Oil Pump Side)	1	794131
15B	Bearing Cup (Shaft Side)	1	794731
	All Crankshaft Asm. Includes: 18A, 18B & 19		
16	Crankshaft Assembly Standard	1	797324
	Crankshaft Asm. W/Key Standard	1	797326
	Crankshaft Assembly Extended	1	796908
	Crankshaft Asm. W/Key Extended	1	TBD
18A	Bearing Cone (Oil Pump Side)	1	794130
18B	Bearing Cone (Shaft Side)	1	794730
19	Orifice	2	792149
20	Bearing Cover Plate	1	794716

Ref	Description	Qty	Part No
21	Oil Seal (Shaft)	1	794732
22A	Bearing Adjustment Pack	AR	794733
30	Oil Filter Fitting	1	794725
60A	Gasket – Oil Screen ⁷	1	792136
60B	Gasket – Oil Screen Plug ⁷	1	792123
60C	Gasket – Inspection Plate ⁷	1	797060
60D	Gasket – Bearing Carrier Assembly ⁷	1	794720
60E	Gasket – ID Tag ⁷	1	793092
60L	Gasket – Oil Pump Cover ⁷	1	794721
61A	Gasket – Oil Screen ⁷	1	792175
62B	Machine Screw	8	793096
63A	Set Screw, Leveling	4	797067
63C	Capscrew – Hex Hd (Insp. Plate)	8	920178
63D	Capscrew – Soc Hd (Oil Pump)	4	790559
63E	Capscrew – Hex Hd (Brng Cover)	4	790484
63U	Capscrew – Hex Hd (Brng Carrier)	8	792093
72B	Elbow - 90°, Pipe	1	797068
72C	Coupling - Pipe	1	797090
73A	Pipe Plug (Drain)	1	790024
73B	Pipe Plug (Oil Heater Option)	1	790459
73C	Pipe Plug (Oil Fill Overflow)	1	793498
96A	Pipe Plug (Crankcase Bottom)	1	790488
96B	Pipe Plug (Bearing Carrier)	1	790309

⁷ Included in Gasket Set 796994

“AR” As Required



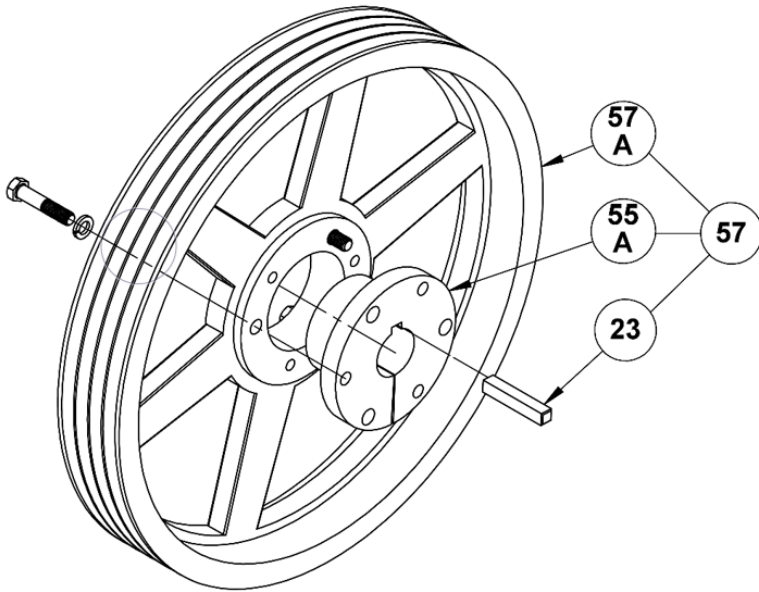
Oil Pump Detail:

ISO1083

Ref	Description	Qty	Part No
2B	Oil Filter	1	794726
5	Oil Pump		794729
5A	Oil Pump Kit (with 5-6-9F-60L)	1	794760
6	Oil Pump Cone	1	794750
7	Oil Pressure Gauge	1	790012
8A	Oil Pressure Adj. Ball	1	792154
9A	Oil Pressure Adj. Spring	1	792153
9F	Oil Pump Spring	1	794751
10	Oil Pressure Adj. Screw	1	792148
10A	Locknut	1	792152

Ref	Description	Qty	Part No
14	Oil Pump Cover Assembly With 14A, 17A & 96B	1	794764
14A	Oil Pump Cover	1	794717
17A	Roll Pin	1	794753
30	Oil Filter Fitting	1	794725
60L	Gasket (Oil Pump Cover) ⁷	1	794721
61C	O-Ring (Adjusting Screw) ⁷	1	792168
63D	Socket Head Cap Screw	4	790559
96B	Pipe Plug	1	790309

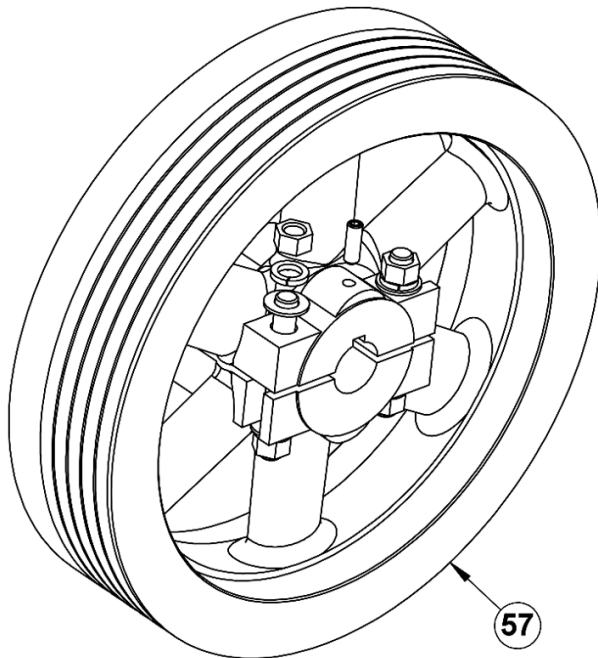
⁷ Included in Gasket Set 796994



Flywheel

ISO-102

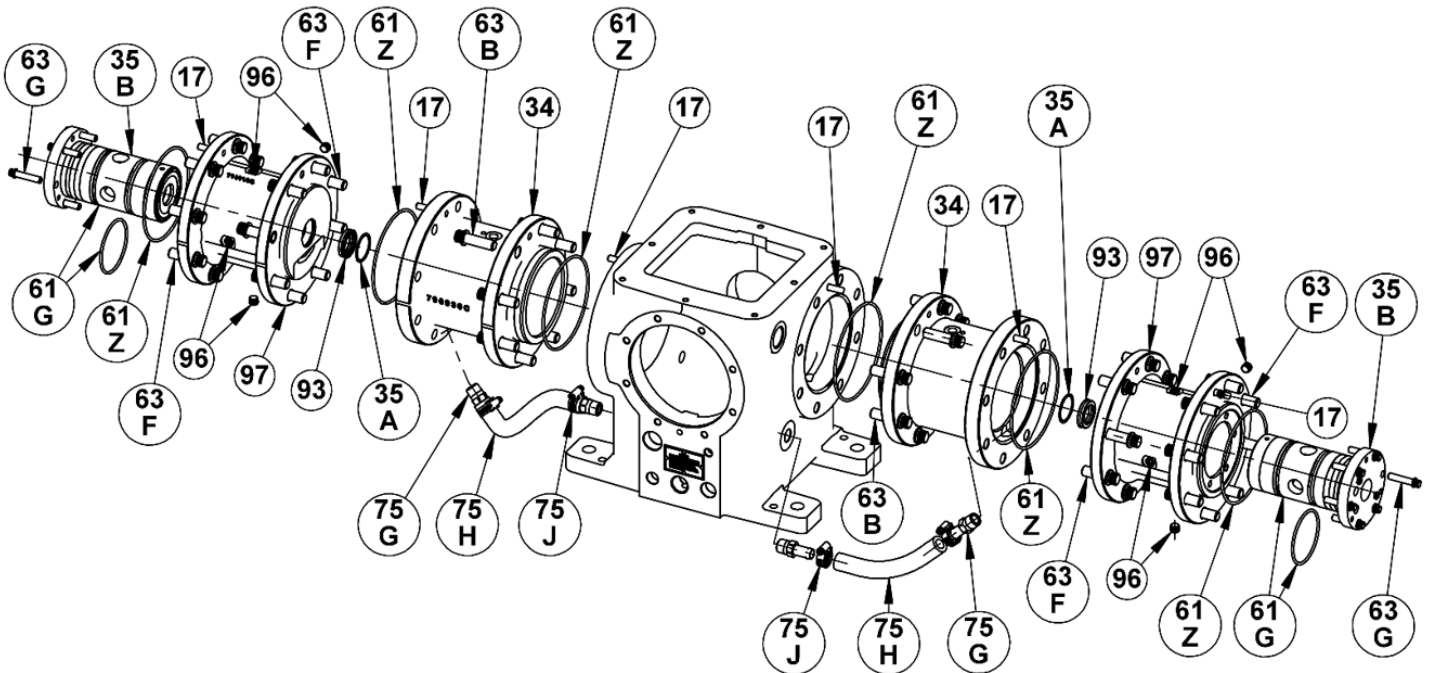
Ref	Description	Qty	Part No
57	Flywheel Assembly 1100 RPM MAX	1	794755
23	Key	1	794267
55A	Hub	1	790505
57A	Flywheel	1	790539



Flywheel

ISO-102

Ref	Description	Qty	Part No
57	Flywheel Assembly High Speed	1	796950



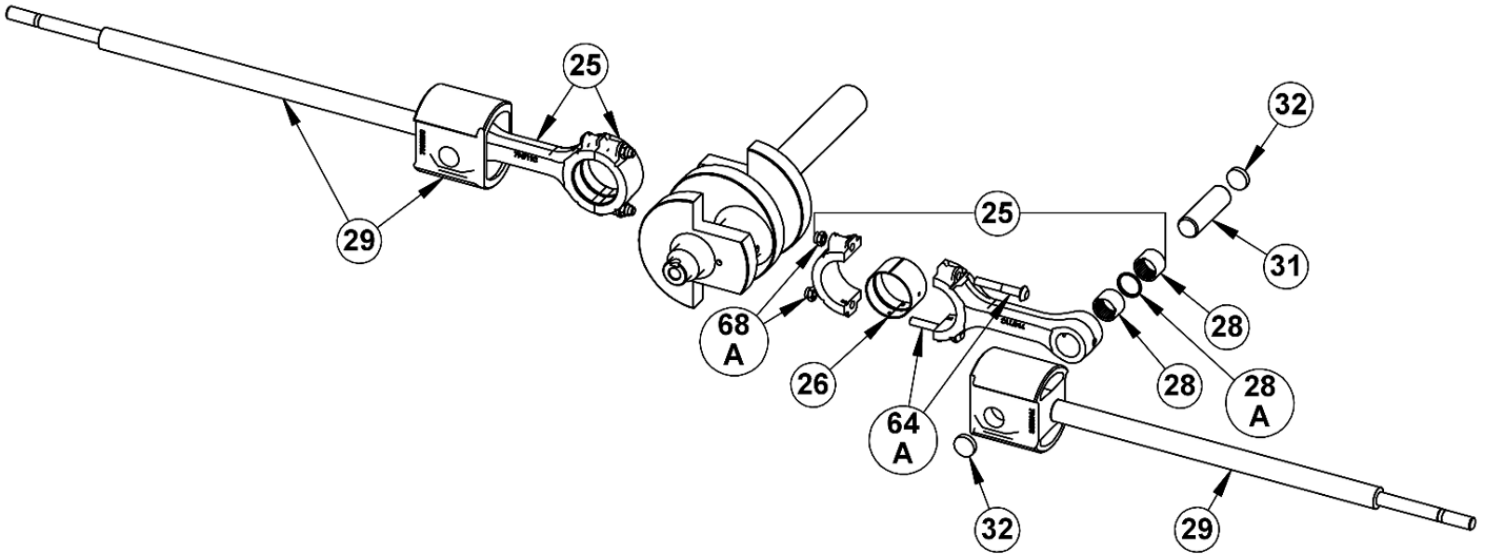
Crosshead Guide Assembly / Distance Piece Assembly

Ref	Description	Qty	Part No.
17	Dowel Pin	6	797066
34	Crosshead Guide	2	796930
35A	Spring Clip, Spiral ⁷	2	796940
35B	Packing Box, Distance Piece	2	797050
61G	O-Ring, FKM ⁷	4	794483
61Z	O-Ring, FKM ⁷	6	797015
63B	Capscrew, 12 pt	16	797196
63F	Capscrew, 12 pt	32	797193

ISO-103

Ref	Description	Qty	Part No
63G	Capscrew, 12 pt	12	797186
75G	Fitting, Oil Return Hose	4	797072
75H	Hose, Oil Return	2	797071
75J	Hose Clamp	4	797074
93	Oil Seal, Shaft ⁷	2	796943
96	Pipeplug, Flush, ¼ NPT	8	790488
97	Distance Piece	2	796910

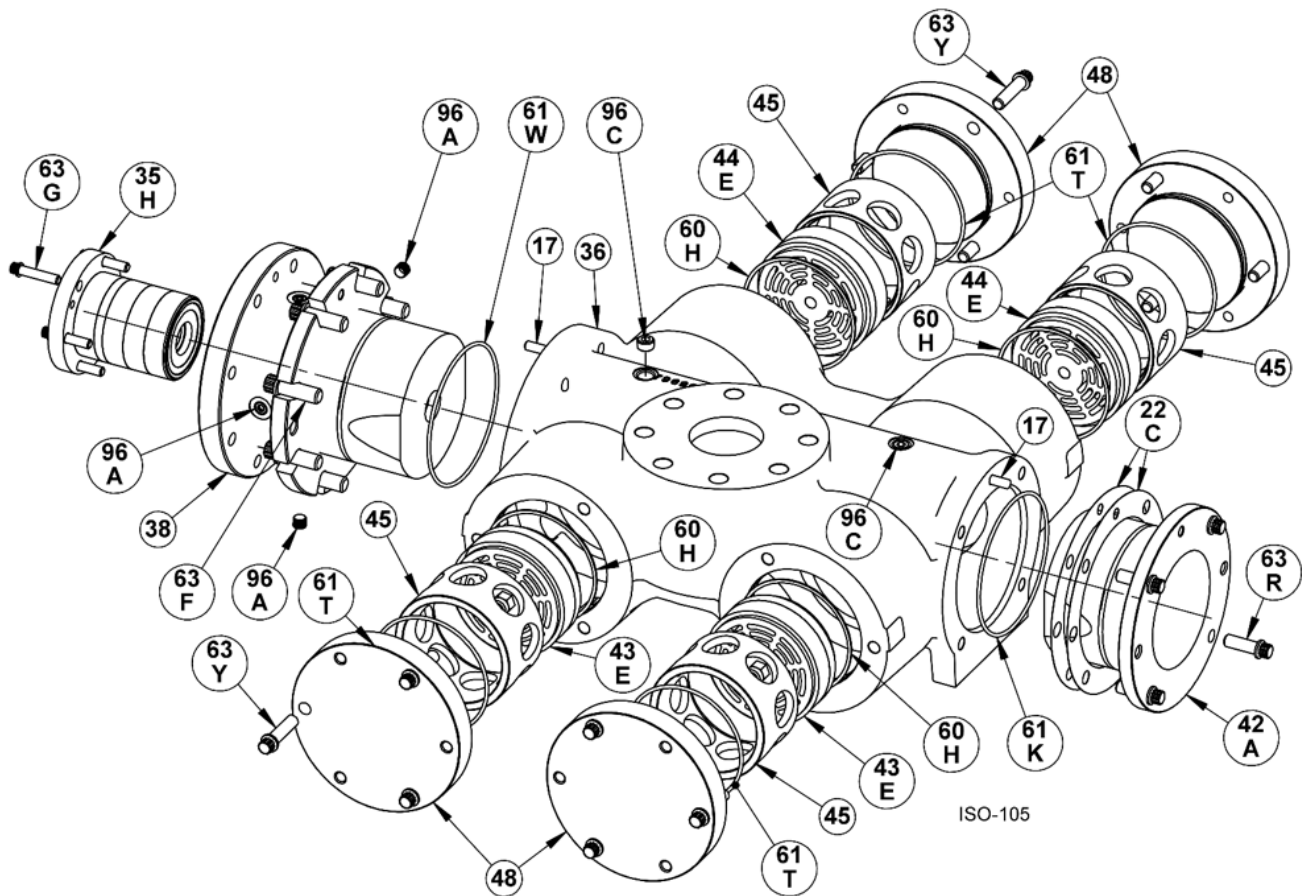
⁷ Included in Gasket Set 796994



Connecting Rod Assembly / Crosshead Assembly ISO-104

Ref	Description	Qty	Part No
25	Connecting Rod Assembly Includes: 26, 28, 28A, 64A & 68A ^	2	796969
26	Connecting Rod Bearing ⁸	2	796710
28	Wrist Pin Bearing ⁸	4	794776
28A	Bearing Spacer ⁸	2	794770
29	Crosshead Assembly ^	2	796924
31	Wrist Pin	2	794727
32	Wrist Pin Plug	4	794724
64A	Bolt, Connecting Rod ⁸	4	794012
68A	Nut, Connecting Rod Bolt ⁸	4	794013

⁸ Included in Connecting Rod Assembly (25)
[^] Assembly is weight balanced. New replacement assembly weight must match the old assembly being replaced.



6.00 Adaptor Assembly / Cylinder Assembly

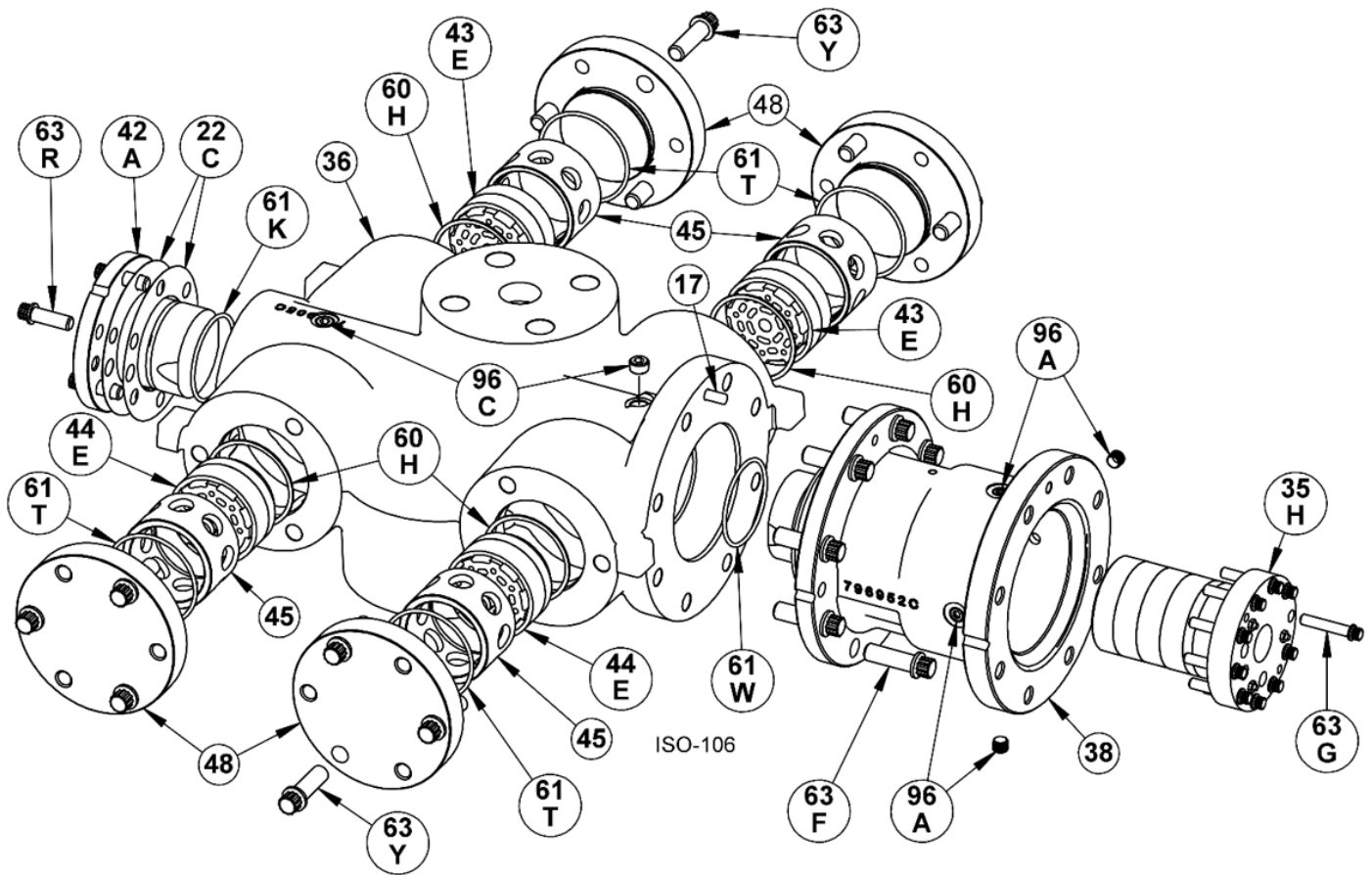
Ref	Description	Qty	Part No
17	Dowel Pin	2	797066
22C	Head Shim, 0.007 Head Shim, 0.015	AR	797031 797033
35H	Packing Box Asm. 6.00 Adaptor	1	797052
36	Cylinder for Optima Valve Cylinder for RDV Valve	1	796904 796944
38	Adaptor, 6.00 Cylinder	1	796911
42A	Head Head Asm. VVCP (ISO-110)	1	796902 796954
43E	Valve Assembly Optima, Suction Valve Assembly RDV, Suction	2	797042 796987
44E	Valve Assembly Optima, Discharge Valve Assembly RDV, Discharge	2	797044 796989
45	Cage, Optima Cage, RDV	4	796920 796946

ISO-105

Ref	Description	Qty	Part No
48	Valve Cover Plate	4	796984
60H	Valve Gasket, RDV ³ Valve Gasket, Optima ³	4	796991 797046
61K	O-Ring, FKM ^{3,4}	1	797016
61W	O-Ring, FKM ^{3,4}	1	797016
61T	O-Ring, FKM ^{3,4}	4	797019
63F	Capscrew, 12pt	8	797193
63G	Capscrew, 12pt	6	797186
63R	Capscrew, 12pt	4	797172
63Y	Capscrew, 12pt	12	797177
96A	Pipe Plug, Flush 1/4 NPT	4	790488
96C	Pipe Plug, Flush 3/8 NPT	2	792189

³ Included in Gasket Set 796995

⁴ Included in Gasket Set 796997



3.25 Adaptor Assembly / Cylinder Assembly

Ref	Description	Qty	Part No
17	Dowel Pin	1	797066
22C	Head Shim, 0.007	AR	797030
	Head Shim, 0.015		797032
35H	Packing Box Assembly, Adaptor	1	797051
36	Cylinder Optima, 3.25	1	797065
	Cylinder RDV, 3.25		797095
38	Adaptor, 3.25	1	796952
42A	Head, 3.25	1	796953
	Head Asm. VVCP (ISO-110)		796971
43E	Valve Assembly Optima, Suction	2	797041
	Valve Assembly RDV, Suction		796986
44E	Valve Assembly Optima, Discharge	2	797043
	Valve Assembly RDV, Discharge		796988
45	Cage, Optima	4	796921
	Cage, RDV		796947

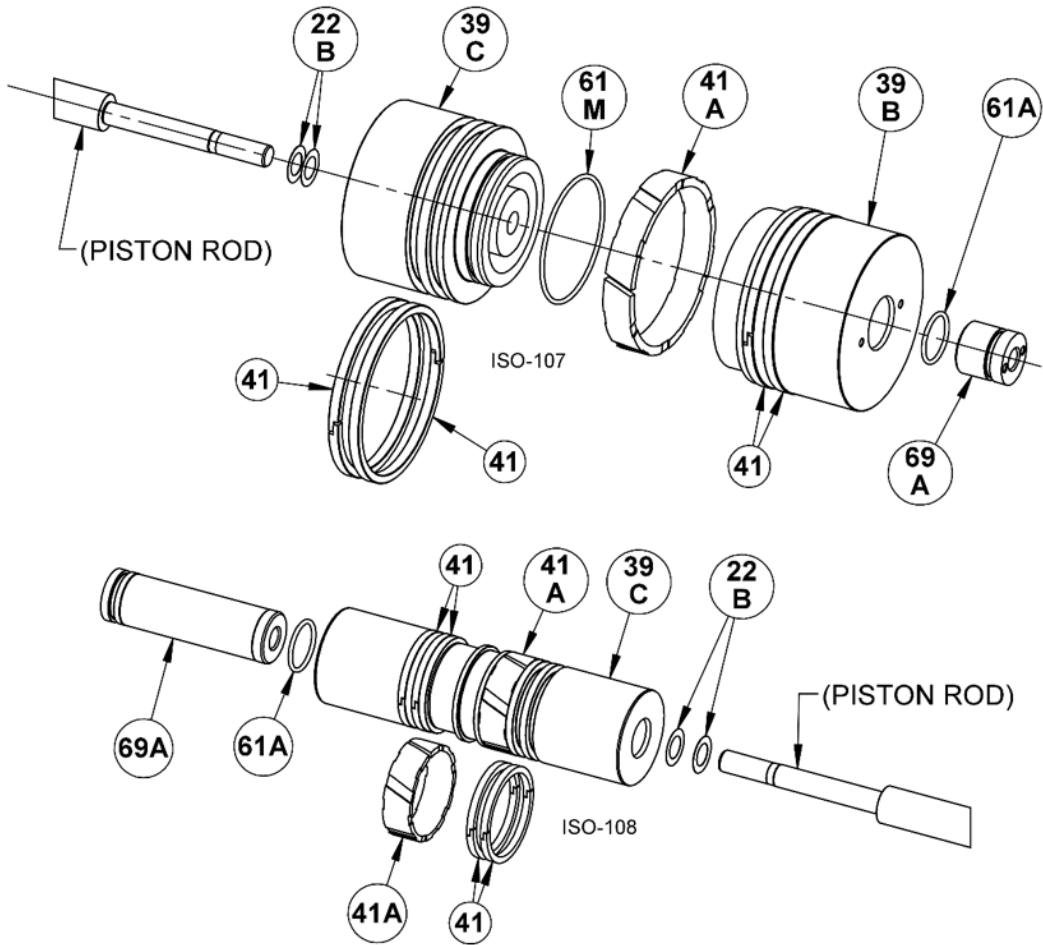
ISO-105

Ref	Description	Qty	Part No
48	Valve Cover Plate	4	796985
60H	Valve Gasket, RDV ¹	4	796990
	Valve Gasket, Optima ²		797045
61K	O-Ring, FKM ^{1,2}	1	797018
61W	O-Ring, FKM ^{1,2}	1	797018
61T	O-Ring, FKM ^{1,2}	4	794653
63F	Capscrew, 12pt	8	797193
63G	Capscrew, 12pt	6	797188
63R	Capscrew, 12pt	4	797172
63Y	Capscrew, 12pt	12	797196
96A	Pipe Plug, Flush 1/4 NPT	4	790488
96C	Pipe Plug, Flush 3/8 NPT	2	792189

³ Included in Gasket Set 796996

⁴ Included in Gasket Set 796998

"AR" As Required



Piston Assembly

ISO-107

ISO-108

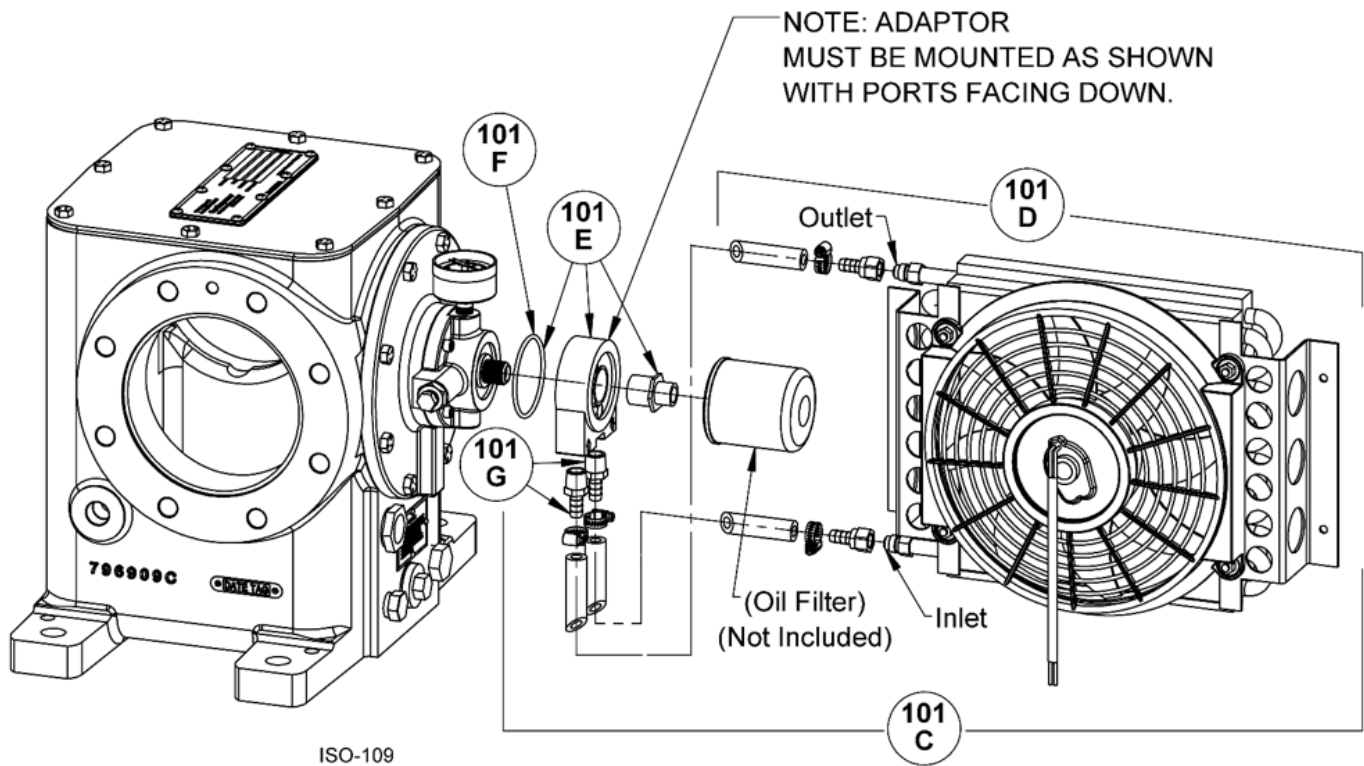
Ref	Description	6.00"		3.25"	
		Qty	Part No.	Qty	Part No.
22B	Piston Shim, 0.007	AR	797020	AR	797020
	Piston Shim, 0.0015		797021		797021
39B	Piston Half, Aluminum, Head Side ^	1	796958	-	N/A
39C	Piston Half, Aluminum, Crank Side ^	1	796957	-	N/A
	Piston, Ductile Iron (1 Piece) ^	-	N/A	1	796959
41	Piston Ring	4	799032	4	799031
41A	Rider Ring	1	797036	2	797035
61A	O-Ring, Locknut ^{1,2,3,4}	1	797017	1	797017
61M	O-Ring, Piston ^{3,4}	1	793212	-	N/A
69A	Piston Lock Nut	1	797038	1	797093

"AR" As Required

¹ Included in Gasket Set 796996 ² Included in Gasket Set 796998

³ Included in Gasket Set 796995 ⁴ Included in Gasket Set 796997

^ Part is weight balanced. New replacement part weight must match the old part being replaced.



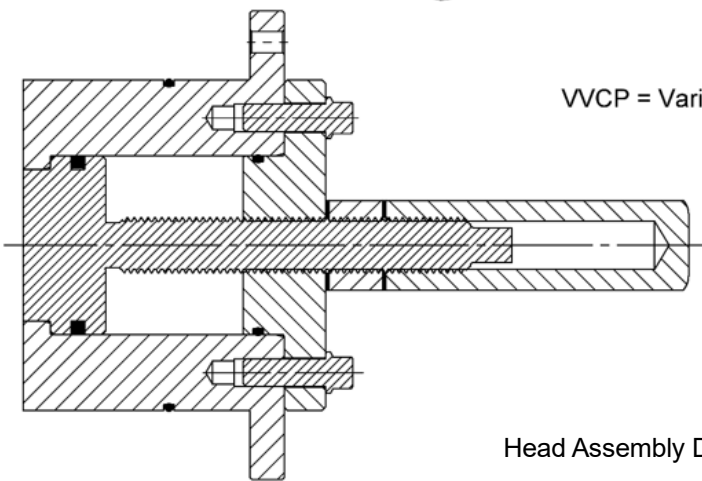
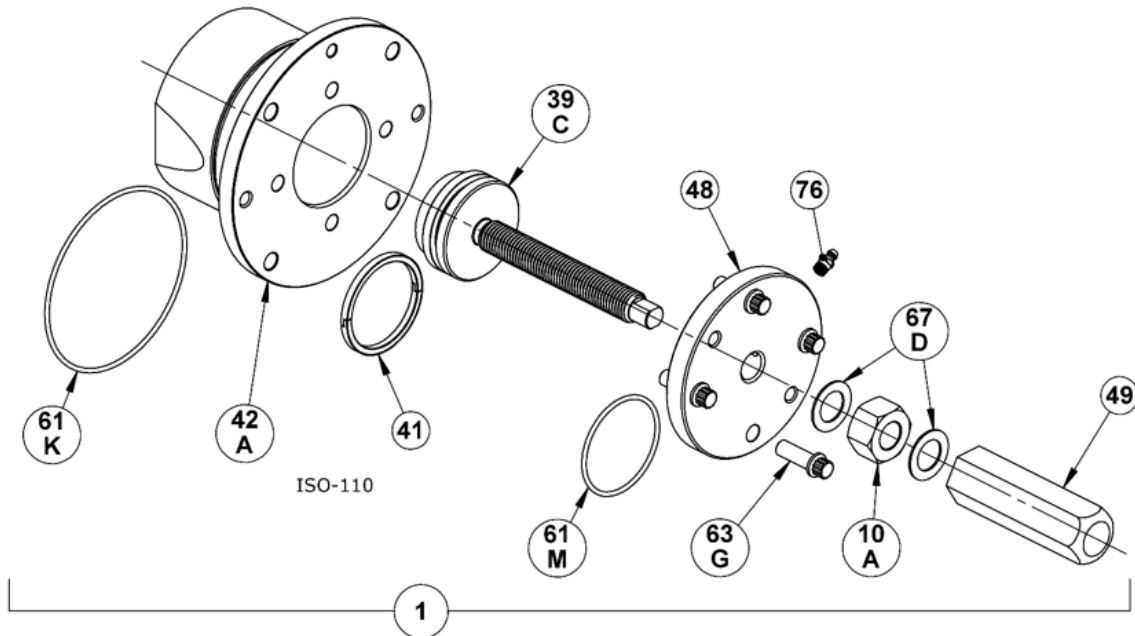
Oil Cooler Assembly NGH100 Series

ISO-109

Ref	Description	Qty	Part No.
101C	Oil Cooler Kit Complete	1	797085
101D	Oil Cooler Kit With Hardware ⁹	1	797086
101E	Oil Cooler Sandwich Adaptor Kit ⁹	1	797078
101F	O-Ring Nitrile ^{7,9}	1	701919
101G	Hose Fitting, 3/8 NPT, 3/8 Barb ⁹	2	797079

⁷ Included in Gasket Set 796994

⁹ Included in Oil Cooler Kit 797085



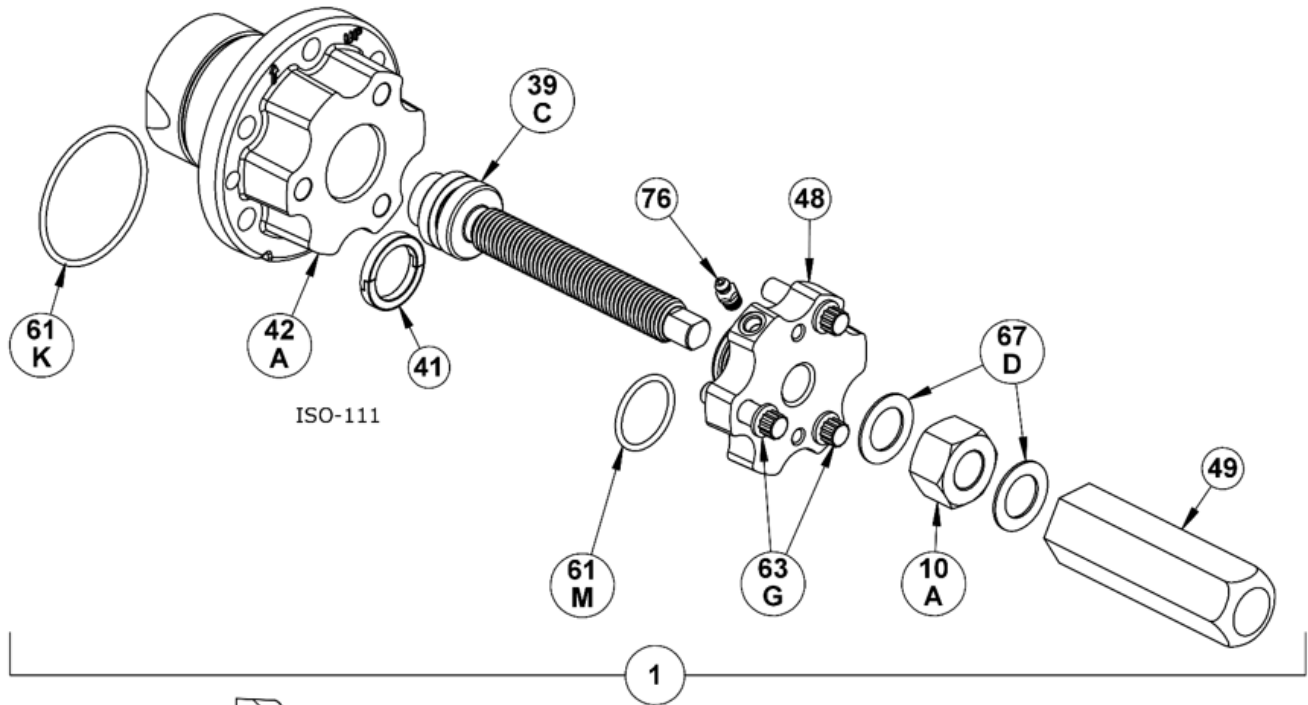
VVCP = Variable Volume Clearance Pocket

Head Assembly Detail 6.00 Cyl. VVCP

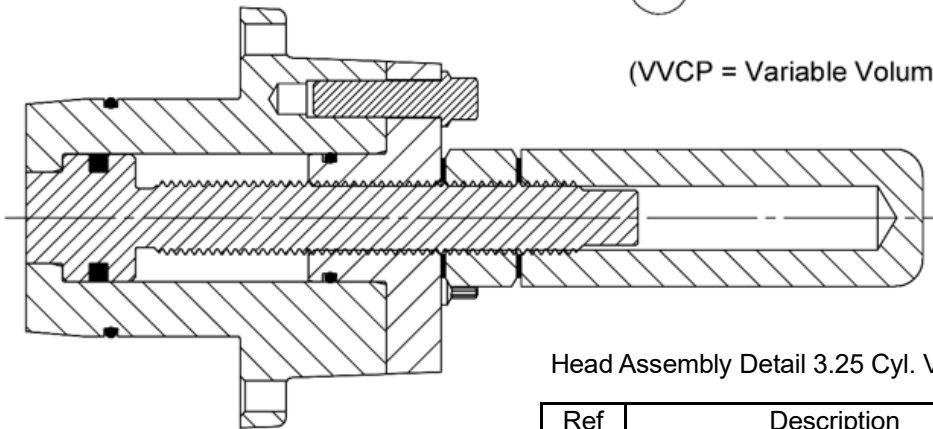
ISO-110

Ref	Description	Qty	Part No.
1	Head Assembly	1	796954
10A	Locknut ⁵	1	796962
39C	Piston Rod	1	796956
41	Piston Ring ⁵	1	799031
42A	Head	1	796955
48	Cover, Head	1	796960
49	Cover, Rod	1	796963
61K	O-Ring, FKM ⁵	1	797016
61M	O-Ring, FKM ⁵	1	797018
63G	Capscrew, 12pt	4	797172
67D	Seal Washer, Aluminum ⁵	2	796961
76	Grease Fitting, Leak Proof	1	796964

⁵ Included in 6.00 Cylinder VVCP Rebuild Kit 796992



(VVCP = Variable Volume Clearance Pocket)

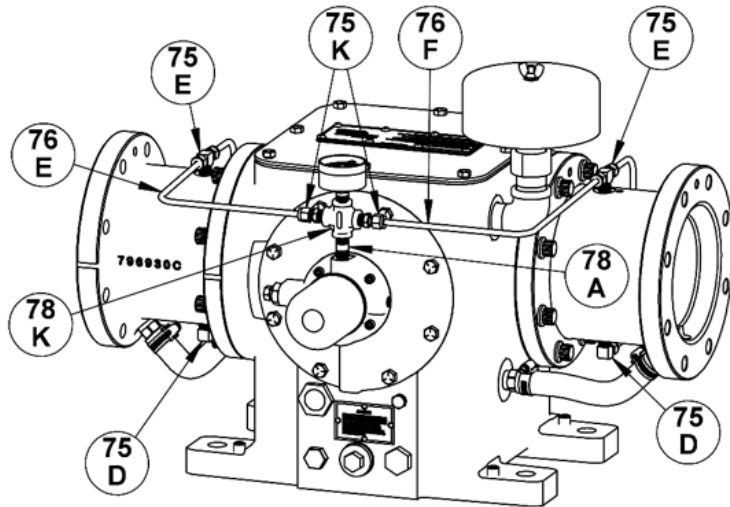


Head Assembly Detail 3.25 Cyl. VVCP

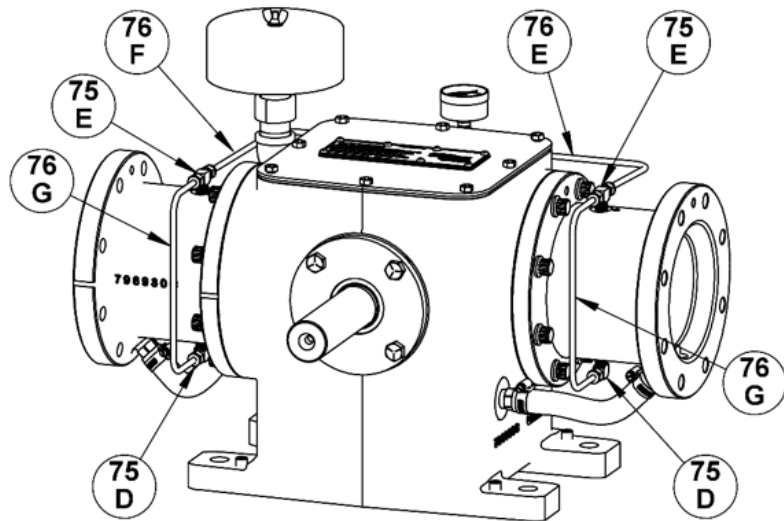
ISO-111

Ref	Description	Qty	Part No.
1	Head Assembly	1	796971
10A	Locknut ⁶	1	796962
39C	Piston Rod	1	796977
41	Piston Ring ⁶	1	796979
42A	Head	1	796972
48	Cover, Head	1	796978
49	Cover, Rod	1	796963
61K	O-Ring, FKM ⁶	1	797018
61M	O-Ring, FKM ⁶	1	797017
63G	Capscrew, 12pt	3	797176
67D	Seal Washer, Aluminum ⁶	2	796961
76	Grease Fitting, Leak Proof	1	796964

⁶ Included in 3.25 Cylinder VVCP Rebuild Kit 796993



ISO-112



Crosshead Oil Supply Assembly NGH 100 Series

ISO-112

Ref	Description	Qty	Part No.
75D	Elbow, 90 Deg, 1/4" Tube to 1/4" NPT Male	2	790363
75E	Tube, 1/4" Tube (2x) to 1/4" NPT Male	2	790384
75K	Adaptor, Straight, 1/4" Tube to 1/4" NPT Male	2	790366
76E	Tube, Crosshead Oil Supply, Front Left	1	797321
76F	Tube, Crosshead Oil Supply, Front Right	1	797322
76G	Tube, Crosshead Oil Supply, Back-Bottom	2	797323
78A	Pipe Nipple, 1/4" NPT x 1.5	1	797080
78K	Connector, 4 Way, All 1/4" NPT Female	1	790361

Gasket Sets NGH100A Series ISO-113

Ref	Description	Qty	Part No.
---	Gasket Set For Crankcase, Crosshead Guide and Distance piece Assemblies	1	796994
35A	Spring Clip, Spiral	2	796940
60A	Gasket – Oil Screen	1	792136
60B	Gasket – Oil Screen Plug	1	792123
60C	Gasket – Inspection Plate	1	797060
60D	Gasket – Bearing Carrier Assembly	1	794720
60E	Gasket – ID Tag	1	793092
60L	Gasket – Oil Pump Cover	1	794721
61A	O-Ring – Oil Screen	1	792175
61C	O-Ring, Adjusting Screw	1	792168
61F	O-Ring, Nitrile	1	701919
61G	O-Ring, FKM	4	794483
61Z	O-Ring, FKM	6	797015
93	Oil Seal, Shaft	2	796943

Gasket Set For 3.25 Cylinder and Piston Assemblies (FKM, IRON)			
Ref	Description	Qty	Part No.
---	RDV – Option 1	1	796996
---	OPTIMA – Option 2	1	796998
60H	Valve Gasket, RDV ¹	4	796990
60H	Valve Gasket, OPTIMA ²	4	797045
61A	O-Ring, Locknut ^{1,2}	1	797017
61K	O-Ring, FKM ^{1,2}	1	797018
61T	O-Ring, FKM ^{1,2}	4	794653
61W	O-Ring, FKM ^{1,2}	1	797018
¹ Included in Option 1 – 796996			
² Included in Option 2 - 796998			

Gasket Set For 6.00 Cylinder and Piston Assemblies (FKM, IRON)			
Ref	Description	Qty	Part No.
---	RDV – Option 3	1	796995
---	OPTIMA – Option 4	1	796997
60H	Valve Gasket, RDV ³	4	796991
60H	Valve Gasket, OPTIMA ⁴	4	797046
61A	O-Ring, Locknut ^{3,4}	1	797017
61K	O-Ring, FKM ^{3,4}	1	797016
61M	O-Ring, Piston ^{3,4}	1	793212
61T	O-Ring, FKM ^{3,4}	4	797019
61W	O-Ring, FKM ^{3,4}	1	797016
³ Included in Option 3 – 796995			
⁴ Included in Option 4 - 796997			

Ref	Description	Qty	Part No.
---	Gasket Set For 3.25 Cylinder VVCP Head Assembly	1	796993
10A	Locknut	1	796962
41	Piston Ring	1	796979
61K	O-Ring, FKM	1	797018
61M	O-Ring, FKM	1	797017
67D	Seal Washer, Aluminum	2	796961

Ref	Description	Qty	Part No.
---	Gasket Set For 6.00 Cylinder VVCP Head Assembly	1	796992
10A	Locknut	1	796962
41	Piston Ring	1	799031
61K	O-Ring, FKM	1	797016
61M	O-Ring, FKM	1	797018
67D	Seal Washer, Aluminum	2	796961

Notes:

Notes: