

# BLACKMER PARTS LIST

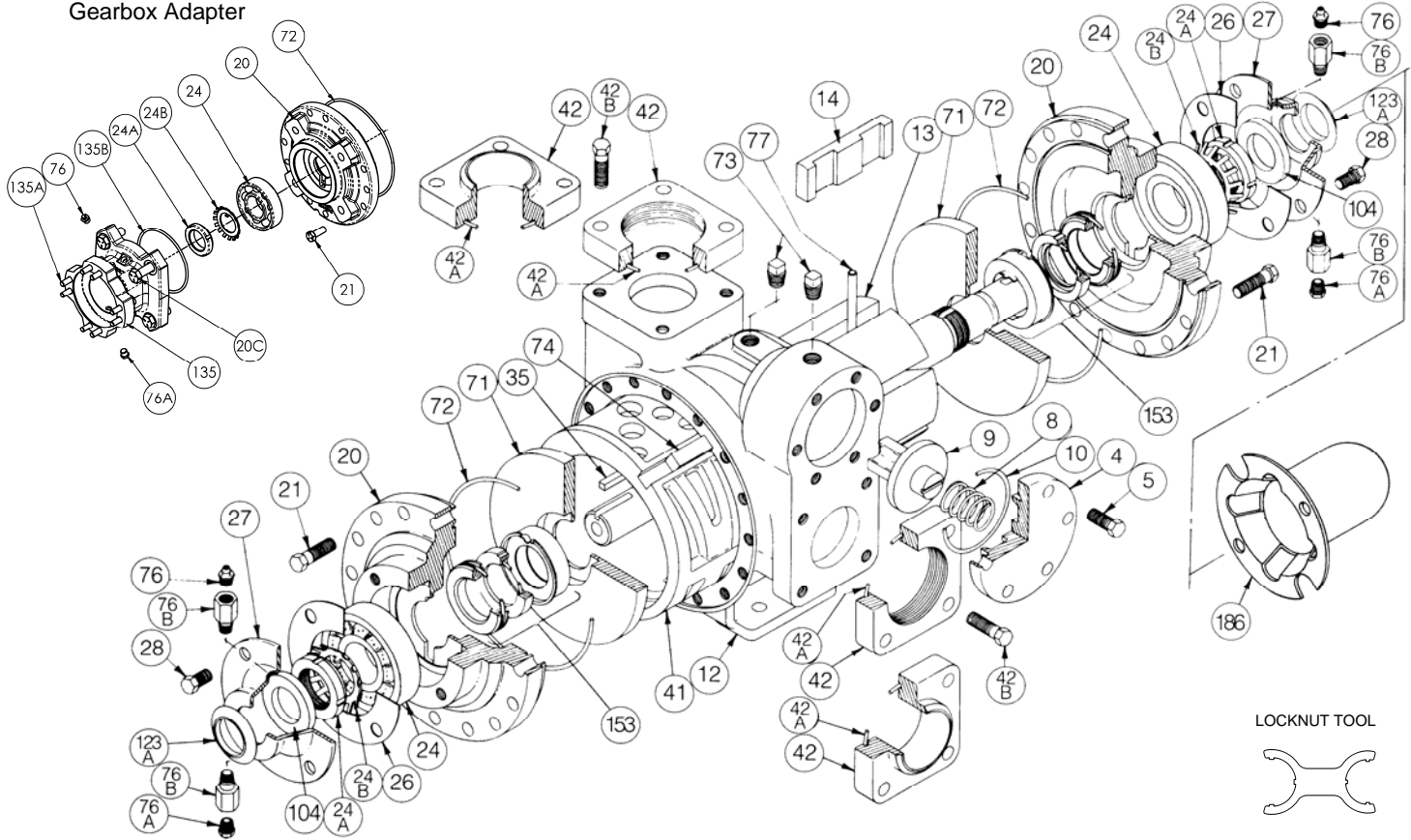
## PUMP MODELS: CRL2, CRL3 OBSOLETE MODELS: TCRL2, TCRL3

Keep with Instructions 701-B00 for Installation, Operation and Maintenance

964481 **PARTS LIST**  
Page 1 of 2 **701-B01**

Section 701  
Effective Jul 2018  
Replaces May 2009

Gearbox Adapter



Ref. No.	Description	Parts per Pump	Size 2 Part No.	Size 3 Part No.	Ref. No.	Description	Parts per Pump	Size 2 Part No.	Size 3 Part No.
4	Relief Valve (R/V) Cover	1	414401	415113	42	Flange – NPT	2	654401	655112
5	R/V Cover Capscrews	6	920331	920331	42	Flange – Weld		654405	655102
8	R/V Spring (150 psi)	1	471423	475135	42A	O-Ring – Flange	2	<sup>1</sup> 702004	<sup>1</sup> 702002
9	R/V Valve	1	454405	455129	42B	Capscrew – NPT Flange	8	920384	920547
10	O-Ring – R/V Cover	1	<sup>1</sup> 701919	<sup>1</sup> 701925	42B	Capscrew – Weld Flange		920351	920510
12	Casing	1	014405	015127	71	Disc	2	<sup>2</sup> 064412	<sup>2</sup> 065112
13	Rotor & Shaft Asy. <sup>3</sup> (Includes Ref. 24A & 24B)	0-1	<sup>2</sup> 264445	<sup>2</sup> 265148	72	O-Ring – Head	2	<sup>1</sup> 702022	<sup>1</sup> 702041
	Rotor & Shaft Asy.	0-1	264443	N/A	73	Gage Plug	2	908198	908198
14	Vane – Laminate	6	<sup>1</sup> 091427	<sup>1</sup> 095109	74	Liner Key	1	<sup>2,4</sup> 183991	<sup>2</sup> 185191
20	Head	1-2	034416	035128	76	Grease Fitting	2	317815	317815
	Head (Integrated Gearbox)	0-1	034427	N/A	76A	Grease Relief Fitting	2	701992	701992
20C	Capscrews	0-4	920510	N/A	76B	Extension Coupling	4	701905	701905
21	Head Capscrews	32-40	920351	920369	77	Push Rod	3	<sup>1</sup> 123905	<sup>1</sup> 125105
24	Bearing	2	<sup>1</sup> 903156	<sup>1</sup> 903172	104	Grease Seal	2	<sup>1</sup> 331918	<sup>1</sup> 331908
24A	Bearing Locknut	2	<sup>2</sup> 903521	<sup>2</sup> 903523	135	Adapter – Gearbox	0-1	833992	N/A
24B	Bearing Lockwasher	2	<sup>1</sup> 903522	<sup>1</sup> 903524	135A	Capscrew (Metric)	0-8	920028	N/A
26	Bearing Cover Gasket	2	<sup>1</sup> 383940	<sup>1</sup> 385125	135B	O-Ring – Gearbox Adapter	0-1	701991	N/A
27	Bearing Cover	2	041431	041815	123A	Dirt Shield	2	<sup>1</sup> 701480	N/A
28	Bearing Cover Capscrews	8-12	920285	920285	186	Shaft Protector	1	341601	341801
35	Shaft Key	1	<sup>1,7</sup> 909209	<sup>1,7</sup> 909209		Tool - Locknut		903091	903091
41	Liner	1	<sup>2</sup> 184405	<sup>2</sup> 185111		Kit - Maintenance		898905	898906
							Kit - Rebuild		899005

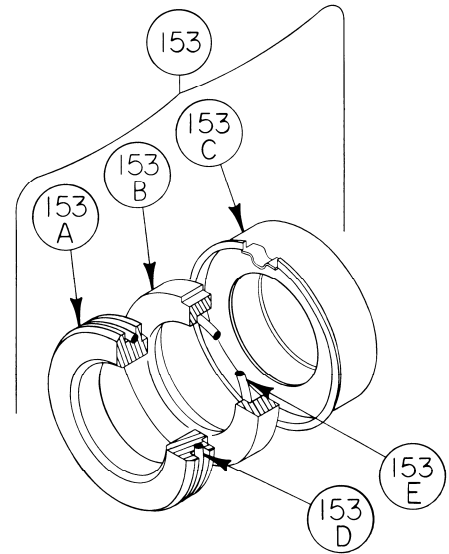
<sup>1</sup> Included in Maintenance & Rebuild Kit <sup>2</sup> Included in Rebuild Kit <sup>3</sup> Double Ended Rotor & Shaft <sup>4</sup> Pump models before January 1995 require key PN 184407 <sup>7</sup> Pumps prior to April 2008 used Woodruff key 909130, included in Maintenance kits

## MECHANICAL SEAL

Ref. No.	Part Name	Parts Per Pump	Size 2 Part No.	Size 3 Part No.
153	Mechanical Seal Assembly (CELE)	2	<sup>1</sup> 334414	<sup>1</sup> 335132
153A	Stationary Seat (Carbon)	2	**	**
153B	Seal Face (Silicon Carbide)	2	**	**
153C	Seal Jacket Assembly	2	**	**
153D	O-Ring – Stationary (Special-EPDM)	2	702354	702355
153E	O-Ring – Rotating (Special-EPDM)	2	702352	702353

<sup>1</sup> Included in Maintenance Kits and Rebuild Kits

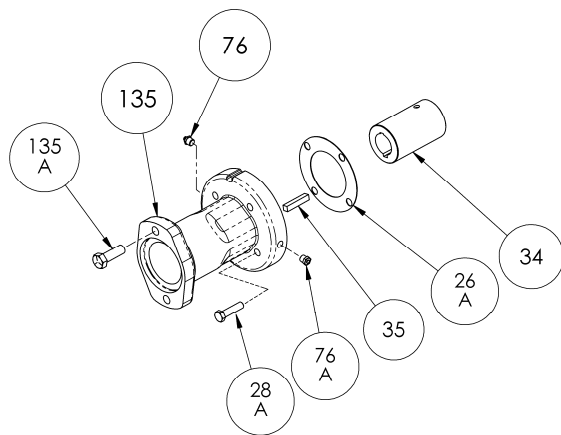
\*\* Mechanical Seal Asy. (Ref. No. 153) is only sold as a complete assembly. Ref. Nos. 153A/153B/153C are not available as separate replacement parts.



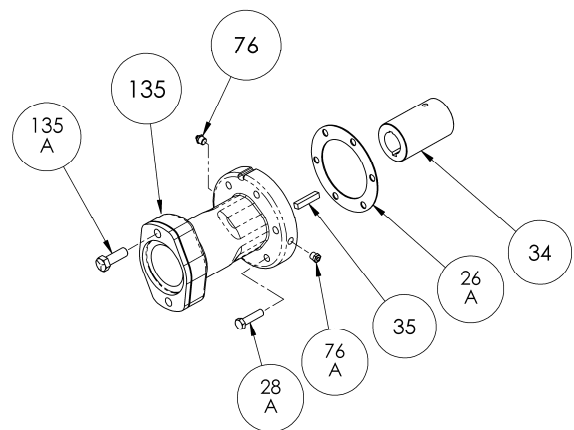
## OPTIONAL HYDRAULIC MOTOR ADAPTER PARTS

Ref. No.	Part Name	Parts Per Pump	Size 2	Size 3	Size 3
			Part No. 1-1/4" Hyd Motor Shaft	Part No. 1-1/4" Hyd Motor Shaft	Part No. 1" Hyd Motor Shaft
See Below	<b>Hydraulic Motor Adapter Kit *</b>	See Below	894425	895140	895143
26A	Gasket- Hydraulic Motor Adapter	1	383940	381817	381817
28A	Capscrew – Hydraulic Motor Adapter / Head	4 / 6	920369	920369	920369
34	Coupling w/ Setscrew – straight key hydraulic motor shaft	1	906967	906967	906990
35	Key – Coupling	1	909184	909184	909184
76	Grease Fitting	1	317815	317815	317815
76A	Grease Relief Fitting	1	701992	701992	701992
135	Hydraulic Motor Adapter – SAE A Flange	1	041827	041831	041831
135A	Capscrew – Adapter / Motor	2	920510	920510	920510

\* Hydraulic Motor Adapter Kits prior to Spring 2002 were of a two piece design – refer to page 206-D00



**CRL2**



**CRL3**



1809 Century Avenue, Grand Rapids, Michigan 49503-1530, U.S.A.  
 Telephone: (616) 241-1611 / Fax: (616) 241-3752  
 E-Mail: blackmer@blackmer.com / Internet: www.blackmer.com