

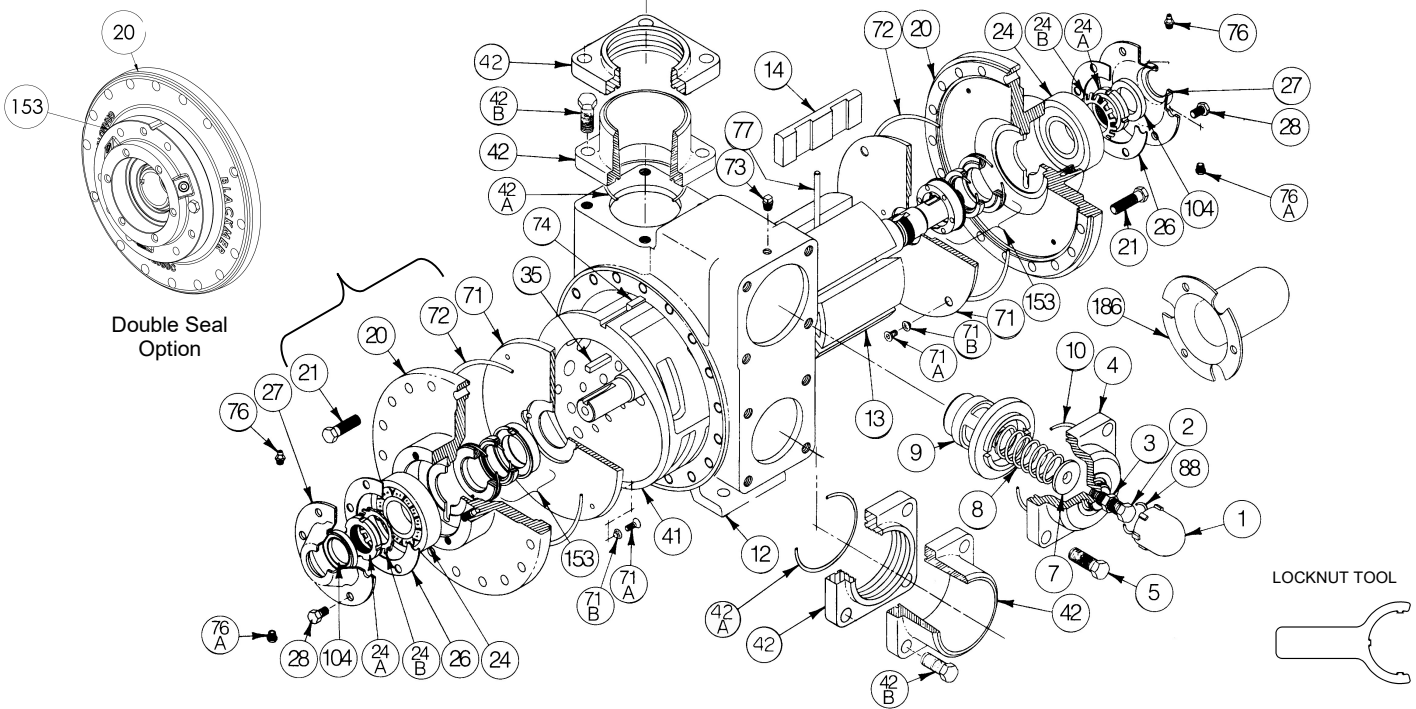
# BLACKMER PARTS LIST

## PUMP MODELS: SGLD4B, SGLWD4

962026      **PARTS LIST**  
Page 1 of 3      **801-B02**

Section | 801  
Effective | Feb 2022  
Replaces | Apr 2020

Keep with Instructions 801-B00 for Installation, Operation and Maintenance

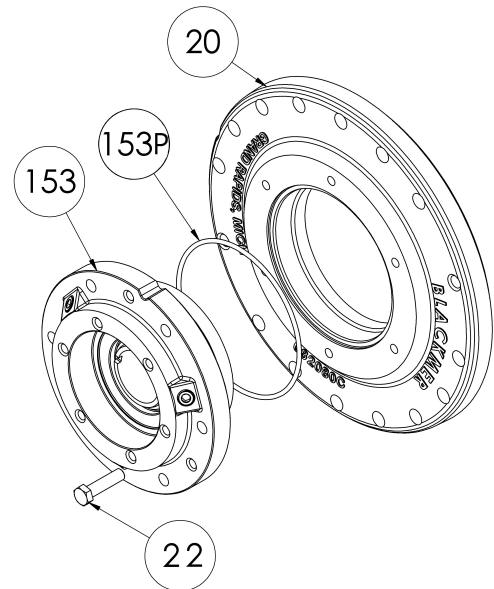
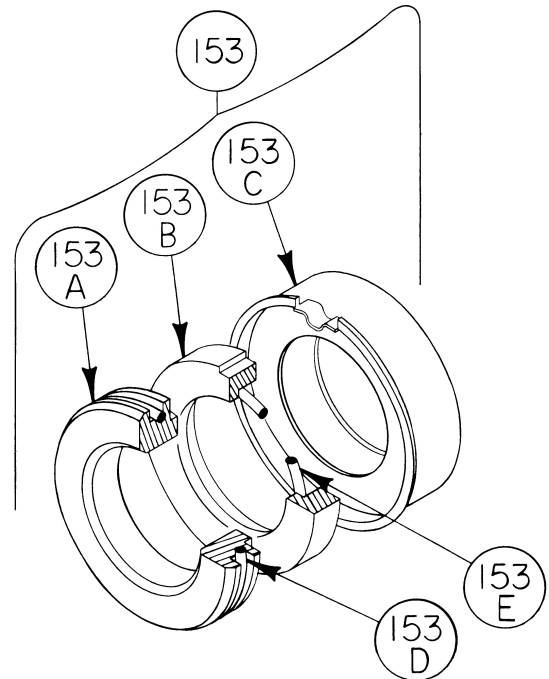


Ref. No.	Description	Parts per Pump	Part No.	Ref. No.	Description	Parts per Pump	Part No.
1	Relief Valve (R/V) Cap	1	413957	42	NPT Flange – 3"	2	652012
2	R/V Adjusting Screw	1	436310		Weld Flange – 3"	1-2	652007
3	R/V Adjusting Screw Locknut	1	432039		Weld Flange – 4"		652005
4	R/V Cover	1	412001	42A	O-Ring Flange (HNBR)(STD)	2	<sup>1</sup> 702313
5	R/V Cover Capscrews	4	920663		O-Ring Flange (FKM)		701968
7	R/V Spring Guide	1	426355		O-Ring Flange (PTFE)		702101
8	R/V Spring (51-75 psi) (STD)	1	472009		O-Ring Flange (Neoprene)		702011
	R/V Spring (76-125 psi)		472039	42B	Capscrew – NPT Flange	8	920663
	R/V Spring (126-150 psi)		472039		Capscrew – Weld Flange		920640
9	R/V Valve	1	452001	71	Disc	2	<sup>2</sup> 062039
10	O-Ring R/V Cover (HNBR) (STD)	1	<sup>1</sup> 702315	71A	Machine Screw – Disc	8	<sup>2</sup> 920015
	O-Ring R/V Cover (FKM)		711909	71B	Lockwasher – Disc	8	<sup>2</sup> 909634
	O-Ring R/V Cover (PTFE)		702099	72	O-Ring Head (HNBR) (STD)	2	<sup>1</sup> 702321
	O-Ring R/V Cover (Neoprene)		702012		O-Ring Head (FKM)		702106
12	Casing	1	012019		O-Ring Head (PTFE)		702089
13	Rotor & Shaft (Includes 24A & 24B)	1	<sup>2</sup> 262041		O-Ring Head (Neoprene)		702267
	Rotor & Shaft (Dual Seal, Plan 52) <sup>3</sup>		<sup>2</sup> 262042	73	Gage Plug (1/4" NPT)	2	908198
14	Duravane (STD)	6	<sup>1</sup> 092019	74	Key – Liner	1	<sup>2</sup> 182040
	Vane – Laminate <sup>A</sup>		<sup>1</sup> 092029	76	Grease Fitting	2	317815
20	Head	2	032041	76A	Grease Relief Fitting	2	701992
	Head (Dual Seal) <sup>3,4</sup>		032080	77	Push Rod - composite	3	122009
21	Head Capscrews	28	920532	88	O-Ring R/V Cap (HNBR) (STD)	1	<sup>1</sup> 702303
24*	Ball Bearing	2	<sup>1,7</sup> 903172		O-Ring R/V Cap (FKM)		702116
24A	Bearing Locknut	2	<sup>2</sup> 903541		O-Ring R/V Cap (PTFE)		702100
24B	Bearing Lockwasher	2	<sup>1</sup> 903542		O-Ring R/V Cap (Neoprene)		711986
26	Bearing Cover Gasket	2	<sup>1</sup> 385125	104	Grease Seal	2	<sup>1</sup> 331908
27	Bearing Cover	2	041815	186	Shaft Protector	1	341801
28	Bearing Cover Capscrews	12	920285	—	Tool - Locknut	—	903092
35	Shaft Key	1	<sup>1</sup> 909183	—	Kit – Maintenance	—	898937
41	Liner	1	<sup>2</sup> 182000	—	Kit – Rebuild	—	899037
	Liner (Hardened) <sup>A</sup>		182010				

<sup>1</sup> Included in Maintenance Kit and Rebuild Kit    <sup>2</sup> Included in Rebuild Kit    <sup>3</sup> Required for Dual Seal, Plan 52    <sup>4</sup> Required for Dual Seal, Plan 53  
<sup>A</sup> Items are only available and standard SGLWD4 parts    <sup>7</sup> Dual Seal uses 903166 Bearing

## MECHANICAL SEAL

Ref. No.	Part Name	Parts Per Pump	Part No.
153	Mechanical Seal Assembly (STD) Hardened Steel Stationary Seat, Custom Carbon Rotating Seal Face, HNBR O-Rings (SJCJ)	2	<sup>1</sup> 332064
	Mechanical Seal Assembly Hardened Steel Stationary Seat, Custom Carbon Rotating Seal Face, FKM O-Rings (SVCV)		332065
	Mechanical Seal Assembly Hardened Steel Stationary Seat, Custom Carbon Rotating Seal Face, PTFE and Kalrez® O-Rings (SACK)		332066
	Mechanical Seal Assembly Hardened Steel Stationary Seat, Custom Carbon Rotating Seal Face, Neoprene O-Rings (SPCP)		332068
	Mechanical Seal Assembly Silicon Carbide Stationary Seat, Custom Carbon Rotating Seal Face, HNBR O-Rings (LJCJ)		332074
	Dual Mechanical Seal Assembly, Plan 53 Custom Carbon Stationary Seats Hardened Steel Rotating Seal Face FKM O-Rings (CVSV)		332189
	Dual Mechanical Seal Assembly, Plan 52 Custom Carbon Stationary Seats Hardened Steel Rotating Seal Face FKM O-Rings (CVSV)		332188
153A	Stationary Seat	2	**
153B	Rotating Seal Face	2	**
153C	Jacket Assembly	2	**
153D	O-Ring Stationary (HNBR) (STD)	2	702310
	O-Ring Stationary (FKM)		701921
	O-Ring Stationary (PTFE)		702056
	O-Ring Stationary (Neoprene)		702009
153E	O-Ring Rotating (HNBR) (STD)	2	702305
	O-Ring Rotating (FKM)		701962
	O-Ring Rotating (Kalrez®)		702171
	O-Ring Rotating (Neoprene)		702007
153P	O-Ring – Seal Cartridge (FKM)	2	702059
22	Seal Cartridge Capscrew	12	920369
-	Kit – Rebuild, Plan 52 Seal	-	899052
-	Kit – Rebuild, Plan 53 Seal	-	899053



<sup>1</sup> Included in Maintenance Kit and Rebuild Kit. \*See Page 3 for details

\*\*Mechanical Seal Ref. No. 153 is only sold as a complete assembly.

Ref. Nos. 153A, 153B, 153C, 153D, 153E, 153F are not available as separate replacement parts.

® Kalrez is a Registered Trademark of the DuPont Co.



1809 Century Avenue, Grand Rapids, Michigan 49503-1530, U.S.A.

Telephone: (616) 241-1611 / Fax: (616) 241-3752

E-Mail: blackmer@blackmer.com / Internet: www.blackmer.com

Parts List 801-B02

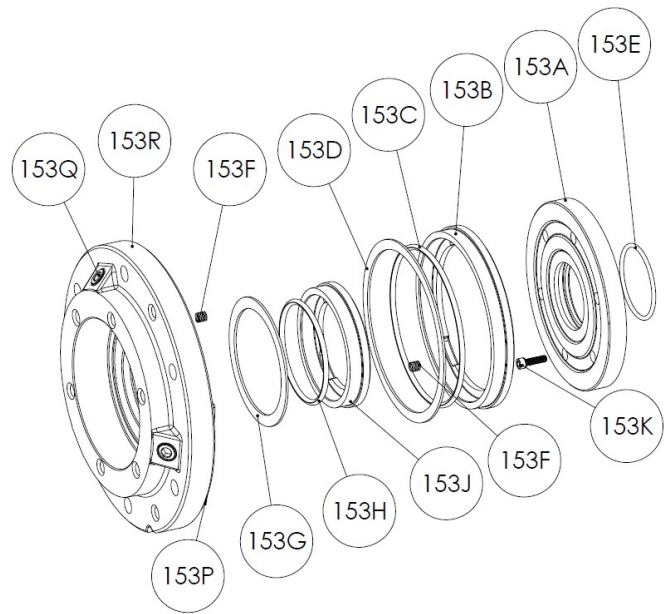
Page 2 of 3

**MECHANICAL SEAL – DUAL SEAL**

**DUAL SEAL - PLAN 52**

Ref. No.	Description	Parts per Seal	Part No.
153A	Rotating Seal <sup>1</sup>	1	332093
153B	Carbon, Outer <sup>1</sup>	1	332187
153C	O-ring, FKM <sup>1</sup>	1	701991
153D	Backer Ring, Outer	1	332085
153E	O-ring, FKM <sup>1</sup>	1	701962
153F	Spring <sup>1</sup>	27	332199
153G	Backer Ring, Inner	1	332088
153H	O-ring, FKM <sup>1</sup>	1	711929
153J	Carbon, Inner <sup>1</sup>	1	332086
153K	Sealing Capscrew <sup>1</sup>	6	920140
153P	O-ring, FKM <sup>1</sup>	1	702059
153Q	Plug	3	908192
153R	Cartridge, Seal Insert	1	332181

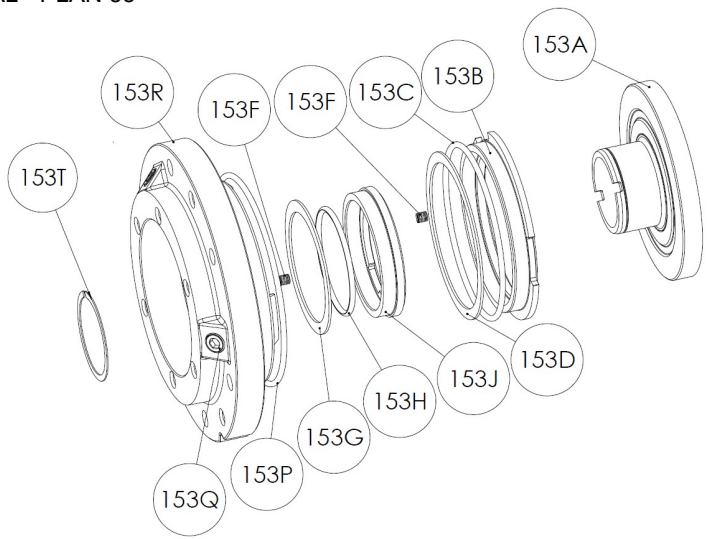
<sup>1</sup> Included in Rebuild Kit 899052



**DUAL SEAL - PLAN 53**

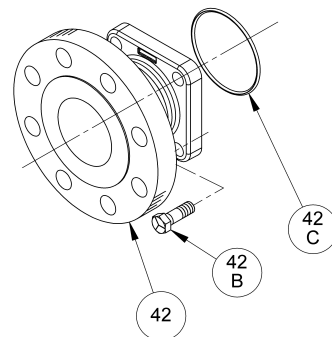
Ref. No.	Description	Parts per Seal	Part No.
153A	Rotating Seal Sub-Assembly <sup>1</sup>	1	332282
153B	Carbon, Outer <sup>1</sup>	1	332087
153C	O-ring, FKM <sup>1</sup>	1	702357
153D	Backer Ring, Outer	1	332089
153F	Spring <sup>1</sup>	21	332199
153G	Backer Ring, Inner	1	332088
153H	O-ring, FKM <sup>1</sup>	1	711929
153J	Carbon, Inner <sup>1</sup>	1	332086
153P	O-ring, FKM <sup>1</sup>	1	702059
153Q	Plug	3	908192
153R	Cartridge, Seal Insert	1	332081
153T	Snap Ring <sup>1</sup>	1	903590

<sup>1</sup> Included in Rebuild Kit 899053



**ADDITIONAL FLANGE OPTIONS (Bolt on Companion Flanges)**

Ref. No.	Description	Parts per Seal	Part No.
42	Flange ANSI 4" 300 lb. R.F.	2	651925
42C	O-Ring, Flange – (HNBR) (STD)	2	702313
	O-Ring, Flange – FKM		701968
	O-Ring, Flange – PTFE		702101
	O-Ring, Flange – Neoprene		702011
42B	Capscrew ANSI Flange	8	920640



1809 Century Avenue, Grand Rapids, Michigan 49503-1530, U.S.A.  
 Telephone: (616) 241-1611 / Fax: (616) 241-3752  
 E-Mail: blackmer@blackmer.com / Internet: www.blackmer.com